



# L81

**Application:** Indoor picture or millwork illumination.

**Source:** 1W, 350mA or 2.5W, 700mA LED

**Driver:** Remote 120V primary, 350mA (1W) or 700mA (2.5W) driver (not included).

**LED Input Voltage:** 4V DC

**Power Consumption:** 1.5W / 3W

**Recommended Driver:** LED8W350L (1W) or LED17W700D (2.5W). Dimmable with remote driver and controller, 0~10V dimming (not included). Consult factory.

**Weight:** 0.86lbs (0.392kg) with S5 straight stem.

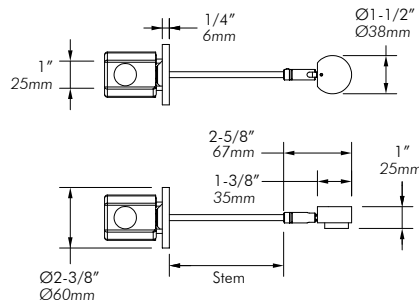
**Material:** Plated brass. RoHS compliant.

**Mounting:** Ceiling or wall mount to custom 2" x 2" octagonal box (CB) (included) or retrofit to existing standard octagonal box using custom mounting plate (MP) (included). Also available in wall hook mounting option.

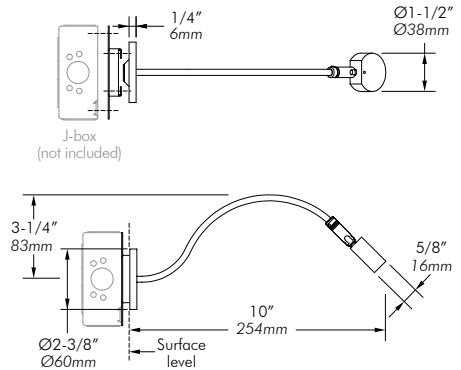
**Approval:** Dry locations. Approved to US and Canadian standards by CSA.



Shown as CB mount, 12° or 30° beam, S5" (127mm) straight stem



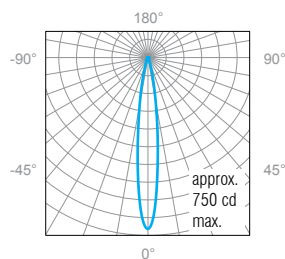
Shown as MP mount, 120° beam, C10" (254mm) curved stem



**L81**  
1W, 12°  
3000K Std  
85 lm

Lumen test results provided by LED chip manufacturer

### Polar Candela Distribution



### Illuminance at a Distance

	Center Beam FC	Beam Width	
0.3'	6,846.22	0.1'	0.1'
0.7'	1,711.56	0.2'	0.2'
1.0'	760.67	0.2'	0.3'
1.3'	427.89	0.3'	0.3'
1.7'	273.85	0.4'	0.4'
2.0'	190.17	0.5'	0.5'

■ 0° Spread: 13.8°    ■ 90° Spread: 14.9°

**Note:** Various operating factors may cause differences between lab and field results. As specifications may change without notice, please refer to the LED Lamp Index located in the "Downloads" section of each product webpage for the most current information.

CODE	MOUNT	WATTAGE	COLOR	BEAM	STEM	FINISH
L81						

**CB** = custom octagonal box  
**MP** = retrofit mounting plate  
**WK** = wall hook

**1** = 1W  
**2** = 2.5W\*

**W27S** = 2700K, std CRI  
**W30S** = 3000K, std CRI  
**W35S** = 3500K, std CRI  
**W41S** = 4100K, std CRI  
**W20H** = 2000K, high CRI  
**W30H** = 3000K, high CRI

\*Only available in W30S & W20H.

**NOTE:** Standard CRI has a value of 75-82 while high CRI has 92.

W20H has consistent binning that falls within 1.5 MacAdam ellipse.

**S** = spot (12°)  
**N** = narrow flood (30°)  
**W** = wide flood (120°)

**S5** = 5" (127mm) straight stem  
**S10** = 10" (254mm) straight stem  
**SX** = custom straight stem  
**C10** = 10" (254mm) curved stem  
**C23** = 23" (584mm) curved stem\*\*  
**CX** = custom curved stem

\*\*Available for wall hook mount only.

**MC** = matte chrome  
**BN** = brushed nickel

**MP LIGHTING®**

t 1.877.708.1184 f 604.708.1185 www.mplighting.com  
16 West 4th Avenue, Vancouver BC V5Y 1G3, Canada