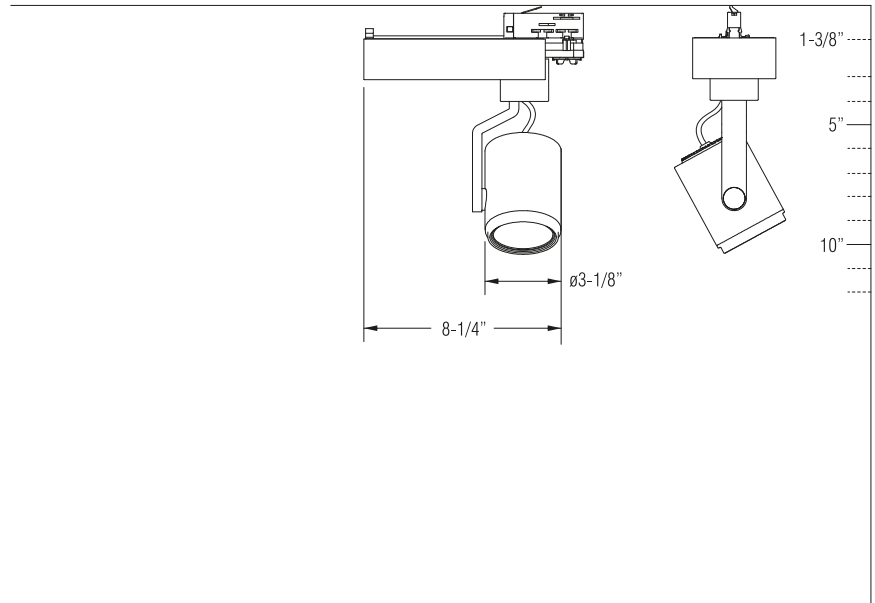




## 3-Circuit Track Mounting



### Spotlight

**Application:** Accent, decorative, general and down lighting.

**Source:** Ceramic metal halide.

**Material:** Cast aluminum body.

**Mounting:** Easy to position and tighten. Install on MP 3-Circuit Track System (sold separately). 3-circuit switch selectable (circuit 1, 2, 3 or off). Low profile. Positive locking.

**Voltage:** 120V.

**Lamp (not included):** T4\*.  
 Average rated life: 12,000 hrs  
 Average initial lumens: 3500 (39W),  
 7300 (70W)  
 CRI: 90  
 CCT (k): 3000°



**Approval:** Dry locations.  
 Approved to UL standards by CSA/US.



CODE	MOUNTING	LAMP	WATTAGE	BEAM	FINISH
<b>H10</b>	<b>3CT</b>	<b>T4</b>			
	<b>3CT = 3-Circuit Track</b>		<b>39 = 39W</b> <b>70 = 70W</b>	<b>12 = 12° Beam</b> <b>24 = 24° Beam</b> <b>38 = 38° Beam</b>	<b>BK = Black</b> <b>S = Silver</b>

**Note:** Silver: Aluminum parts are matte clear anodized. Plastic parts are grey.

\* CDM Elite 39W T4 to be used in vertical position ±60° only.

**[M] MPLIGHTING**

t 604.708.1184 f 604.708.1185 www.mplighting.com  
 16 West 4th Avenue, Vancouver BC V5Y 1G3, Canada