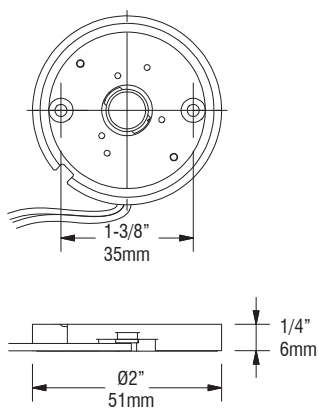
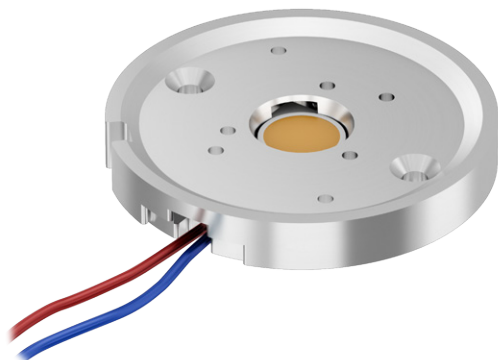


ZA13

13W Zhaga Module



Zhaga module comes with 1ft (305mm) wire leads.

Feature: Module can be changed without replacing entire luminaire
 Compliant to Zhaga Interface Specification - Book 3
 Aluminum housing for a long product life
 Additional modules will be added to the product line

Wattage: 13W
Voltage: 36V DC
Current: 350mA
CRI: 80+, 90+, 97

Light Output: * Tested at operating temperature 85°C

2000K	440lm	(85+ CRI)
2700K	1045lm	(80+ CRI)
	800lm	(90+ CRI)
	660m	(97CRI, R9=97)
3000K	1100lm	(80+ CRI)
	850lm	(90+ CRI)
	700lm	(97CRI, R9=97)
3500K	1150lm	(80+ CRI)
	890lm	(90+ CRI)

Type:
 Project:
 Modified:
 Quantity:
 Notes:

CODE	WATTAGE	COLOR	CRI
ZA	13	-	
ZA = Zhaga module	13 = 13W	W20 = 2000K* W27 = 2700K W30 = 3000K W35 = 3500K	S = 80+ CRI H = 90+ CRI V = 97 CRI (Not available in 2700K and 3000K)

*Only available in 80+ CRI.