

L600

Installation Instructions

1 Connect to line voltage (comes with integral driver)

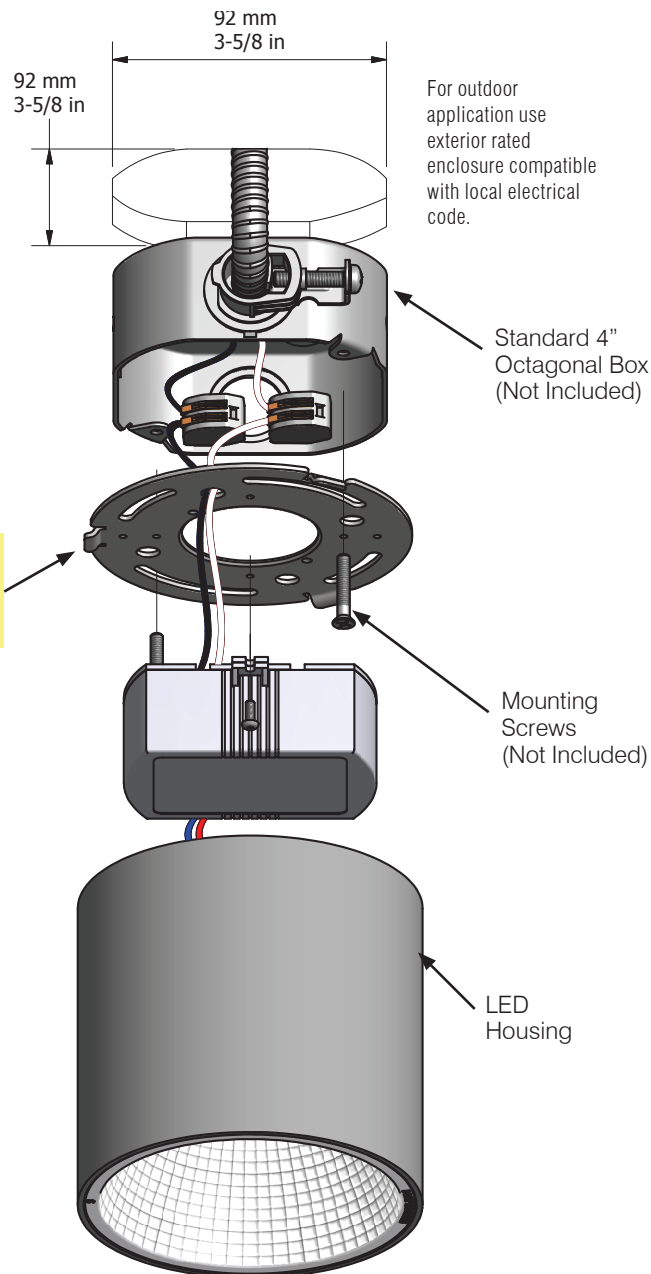
2 Align universal crossbar to electrical box and tighten mounting screws.



** Please do not bend or damage the hook on the crossbar to prevent the LED housing from loosening**

3 Tighten mounting screws to secure LED housing.

4 Attach cover to LED housing by tightening all four screws.



For outdoor application use exterior rated enclosure compatible with local electrical code.

CAUTION

- Read all instructions.
- **WARNING: RISK OF FIRE OR ELECTRICAL SHOCK:** Do not make or alter any openings in the compartment of wiring or electrical components during installation. Do not alter or add ballasts, or any other electrical components.
- Installation and use of this fixture mounting assembly requires a person familiar with the construction and operation of luminaire electrical systems and the hazards involved, if not qualified, do not attempt installation.
- Turn off power before installation.
- Connect to 17W 700mA constant current LED driver only.
- Do not over tighten screws.
- Avoid using detergents with hand softeners, anti-bacterial agents, glass cleaners or acrylic cleaning products.
- **KEEP THESE INSTALLATION INSTRUCTIONS.**

LED15W350
 AC Input Voltage:
 120V, 60Hz
 DC Output Current:
 350mA Constant

Parts	Qty.
• LED Unit with LED Driver	1
• Cross bar	1

Maintenance

Clean using a soft cloth.

MP LIGHTING®

t1.877.708.1184 f604.708.1185 www.mplighting.com
 16 West 4th Avenue, Vancouver BC V5Y 1G3, Canada