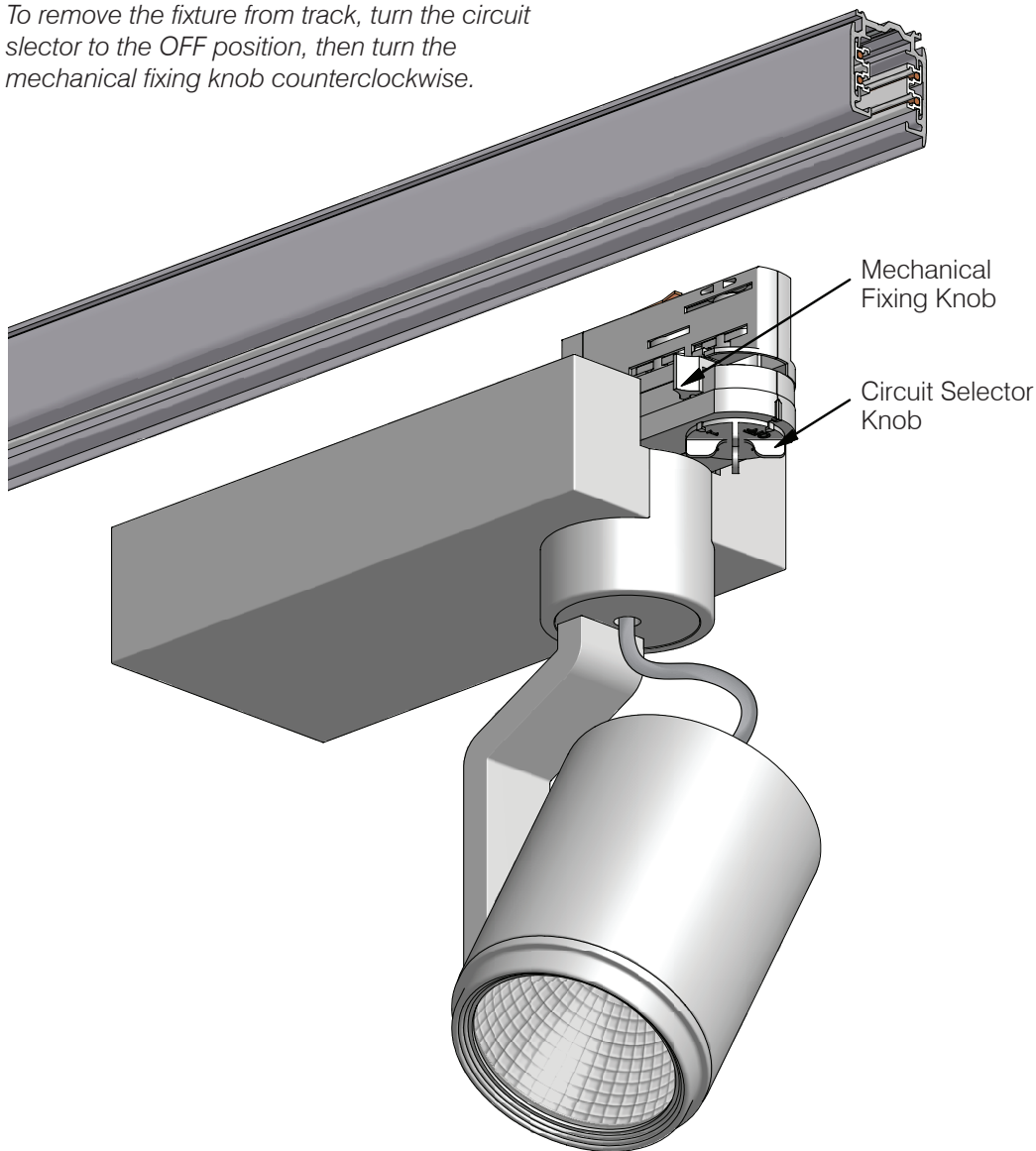


H10 3CT

Installation Instructions

- 1** Push multi-adapter on fixture into the track.
- 2** Turn the mechanical fixing knob clockwise.
- 3** Select the desired circuit with the circuit selector knob.

To remove the fixture from track, turn the circuit selector to the OFF position, then turn the mechanical fixing knob counterclockwise.



CAUTION

- Read all instructions.
- **WARNING: RISK OF FIRE OR ELECTRICAL SHOCK:** Do not make or alter any openings in the compartment of wiring or electrical components during installation. Do not alter or add ballasts, or any other electrical components.
- Installation and use of this fixture mounting assembly requires a person familiar with the construction and operation of luminaire electrical systems and the hazards involved, if not qualified, do not attempt installation.
- Turn off power before installation.
- Do not move fixture along track if power is on.
- **KEEP THESE INSTALLATION INSTRUCTIONS.**