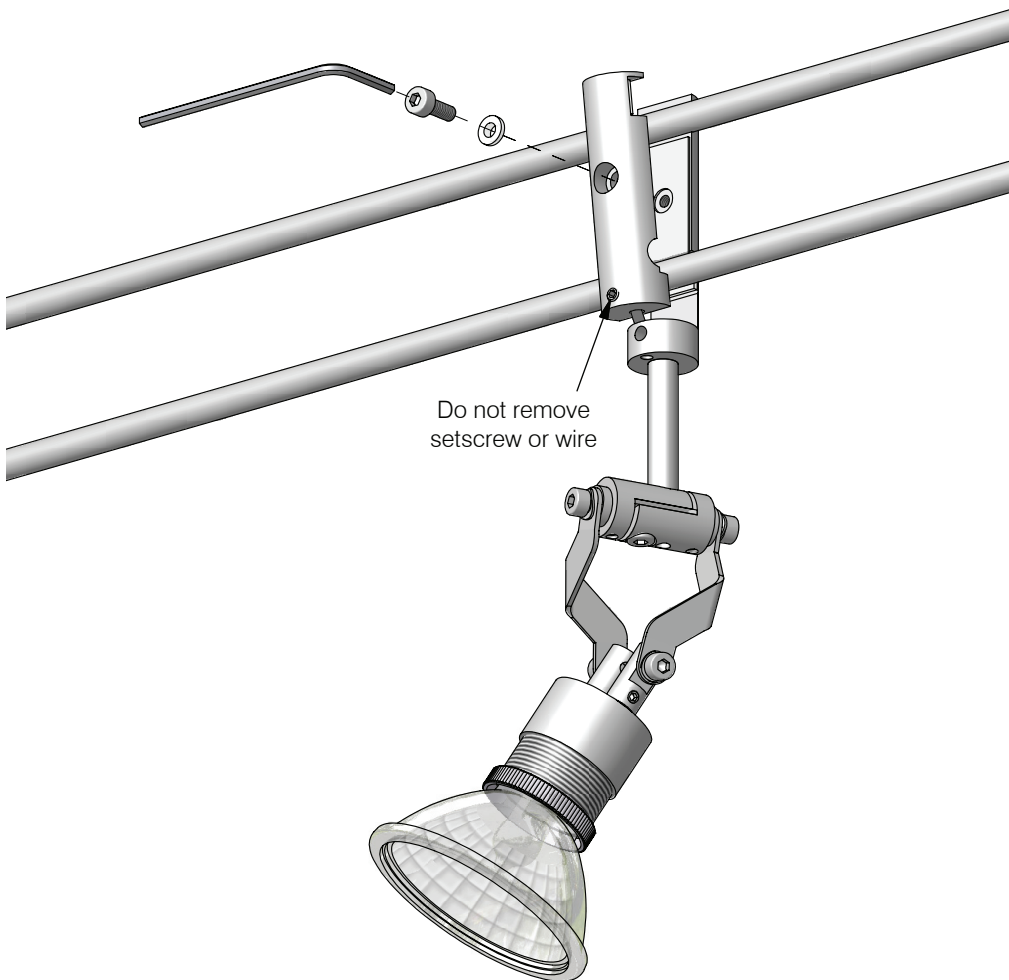


X01 VD

Installation Instructions

VD Fixture Connector

- 1** Unscrew top screw on connector head with Allen key. Copper wire held by setscrew brings power into fixture and prevents connector from fully separating. **DO NOT UNSCREW THIS SETSCREW OR PULL WIRE OUT.** If this occurs reinsert copper wire and tighten setscrew to ensure fixture functions properly.
- 2** Carefully place connector on rails in desired location.
- 3** Reinsert top screw and washer. Tighten until securely fastened. **DO NOT OVERTIGHTEN.**



CAUTION

- Read all instructions.
- Do not move fixture along rail while power is on.
- Ensure connection is tight to prevent short circuit.
- Do not over tighten screws, rails could collapse with extreme force.
- Do not force rails into connector as plastic inserts inside can come apart. Reinsert plastic if this occurs or fixture may short.
- Leave system on to test installation for 20-30 minutes. Heat indicates a loose connection. Check if any connections on the system are warmer than your body temperature. If a connection is very warm, turn off system and retighten that connection.
- Keep this document as a reference.