



L01

Application: Exterior/interior directional in-grade light for lighting walls, columns, architectural features or landscape features. Applicable for mounting into floors, walls, ceilings or other surfaces where a non-obtrusive luminaire is required.

Electrical: 1W, 350mA.

LED Input Voltage: 4V DC or 12V AC

Power Consumption: 1.5W

Power Supply: DC - P Powered by remote 350mA DC driver. Recommended LED10W350D. Dimmable drivers available (not included). Consult factory for dimming option.

Weight: 1.8lbs net. (0.816kg) (base extra).

Material: Solid anodized aluminum or stainless steel (303/316) with 1/4" (6mm) thick tempered glass lens, suitable for walk-over and drive-over applications. RoHS compliant.

Mounting: Comes with splice box, aluminum flange and level gauge. Can be buried in earth/gravel or cast into concrete/paving stone with or without mounting base.

IP rating: 66

Approval: Wet and dry locations. Approved to US and Canadian standards by CSA.



Emergency Driver options (remote):

MP Lighting Emergency Backup Unit.
Input: 100-277V, 50/60Hz / Output: 11-36V, 16W

Bodine Emergency Micro Inverter
Input: 120/277V, 50/60Hz / Output: 120/277V, 60Hz, 20W

Type:

Project:

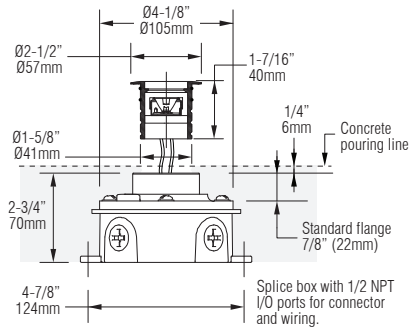
Modified:

Quantity:

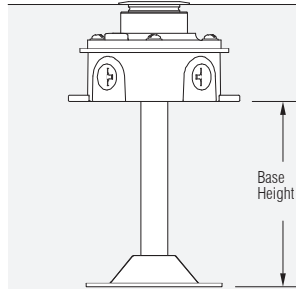
Notes:

Code	Wattage	Color	Beam	Lens	Option	Angle Bracket*	Input Voltage	Flange Height	Base Height	Finish
L01	- 1	RD	W	F			D		0	- S6
	1 = 1W	RD = red	W = wide flood (120°)	F = frosted	LM = louver, matte anodized LB = louver, black anodized HM = hex louver, matte anodized HB = hex louver, black anodized *Louver not available with angle bracket	0 = 0° angle 30 = 30° angle	D = DC	S = standard flange 7/8" (22mm) P = paving stone flange, 3-3/8" (86mm)	0 = no base	S6 = stainless steel 316

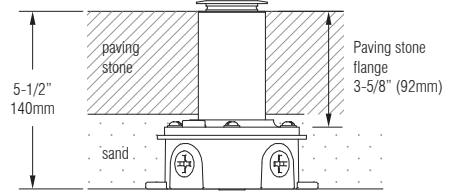
DIMENSION:



Shown with standard flange (S)



Shown with standard flange (S) and (optional) mounting base.



Shown with paving stone flange (P) with no base.

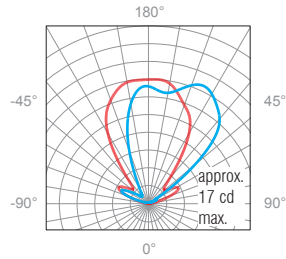
PHOTOMETRIC DATA:

1W, Red, , 120°, frosted lens

Polar Candela Distribution

Illuminance at a Distance

Lumen: 27lm



	Center Beam FC	Beam Width	
9.0'	0.18	12.3'	10.5'
8.0'	0.23	10.9'	9.3'
6.0'	0.41	8.2'	7.0'
5.0'	0.60	6.8'	5.8'
3.0'	1.65	4.1'	3.5'
1.0'	14.89	1.4'	1.2'

■ 0° Spread: 68.7°
 ■ 90° Spread: 60.4°