



# L05

**Application:** Exterior/interior directional in-grade light for lighting walls, columns, architectural features or landscape features. Applicable for mounting into floors, walls, ceilings or other surfaces where a non-obtrusive luminaire is required.

**Electrical:** 3 x 1W, 350mA LEDs.

**LED Input Voltage:** 12V DC or 12V AC

**Power Consumption:** 4W

**Power Supply: DC** - Powered by remote 120V, 350mA (3W) 12V DC driver. Recommended TLDAV60W12. Dimmable with dimming controller, 0-10V dimming. Consult factory. Consult factory for dimming option.

**Weight:** 2.56lbs (1.16kg) (base extra).

**Material:** Solid anodized aluminum or stainless steel 316 with 3/8" (10mm) thick tempered glass lens, suitable for walk-over and drive-over applications. RoHS compliant.

**Mounting:** Comes with splice box, aluminum flange and level gauge. Can be buried in earth/gravel or cast into concrete/paving stone with or without mounting base.

**IP rating:** 66

**Approval:** Wet and dry locations. Approved to US and Canadian standards by CSA.

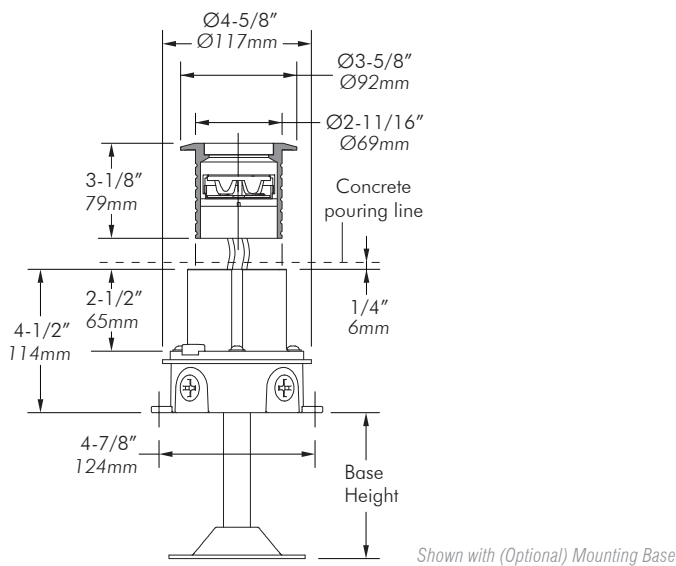


**Emergency Driver options (remote):**

MP Lighting Emergency Backup Unit.  
Input: 100-277V, 50/60Hz / Output: 11-36V, 16W

Bodine Emergency Micro Inverter  
Input: 120/277V, 50/60Hz / Output: 120/277V, 60Hz, 20W

**Dimension:**



**Type:**

**Project:**

**Modified:**

**Quantity:**

**Notes:**

Code	Wattage	Color	Beam	Lens	Option	Angle Bracket*	Input Voltage	Base Height	Finish
L05	- 3	RD	F	F			D	-	S6
	3 = 3 x 1W	RD = red	F= flood (60°)	F = frosted	HM = hex louver, matte anodized HB = hex louver, black anodized	0 = no angle 30 = 30° angle	D = DC	0 = no base 2 = 2" (51mm) 6 = 6" (152mm)	S6 = stainless steel 316

*\*Louver not available with angle bracket*

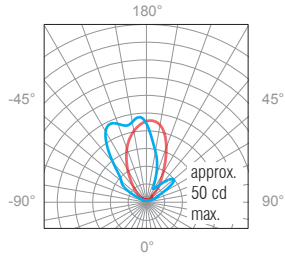
**PHOTOMETRIC DATA:**

**Wildlife, 3W, Red**

**Polar Candela Distribution**

**Illuminance at a Distance**

Lumen: 73lm, Flood beam (60°)



	Center Beam FC	Beam Width	
9.0'	0.6	10.7'	9.3'
8.0'	0.8	9.5'	8.3'
6.0'	1.4	7.1'	6.2'
5.0'	2.0	5.9'	5.2'
2.0'	12.3	2.4'	2.1'
1.0'	49.0	1.2'	1.0'

■ 0° Spread: 61.4°    
 ■ 90° Spread: 54.6°