




# L131

- Application** Exterior/Interior surface mount downlight.
- IP Rating** 44
- Mounting** Mounts to standard octagonal box (not included)
- Electrical** 3 x 2.5W, 700mA LEDs.
- Power Supply** Power by integral 120V primary, LED9W700L, 700 mA (9.0Watt) non-dimmable LED driver (included).  
\*See website for recommended drivers.  
\*Remote emergency driver/inverter options available (consult factory)
- Power Consumption** 9.0 Watt (At 700mA, 7.5 Watt)
- Light Output** 7.5 Watt , 240~266 lm
- Warranty** 5 years limited warranty  
Estimated useful life of LED is 50,000 hours.
- Material** Solid anodized aluminum . RoHS compliant.
- Weight** 0.84lbs (0.38kg).
- Approval** 

**DISCLAIMER** Malfunction and damage to product due to improper dimming system installation or misuse will not be covered under warranty. Only DC Drivers are recommended for dimming systems. Consult MP Lighting for recommended drivers.

\*MP Lighting reserves the right, at its sole discretion, at any time and without notice, to make design changes to any of our products.

**Type:**

**Project:**

**Modified:**

**Quantity:**

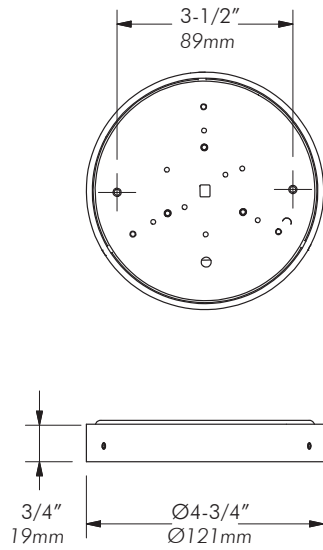
**Notes: PLEASE READ** - When using a control system, consult dimming system manufacturer with minimum load before installing 12V AC transformer. Malfunction and damage to product due to improper dimming system installation or misuse will not be covered under warranty. Only DC Drivers are recommended for dimming systems. Consult MP Lighting for recommended drivers.

## Order Guide

Example: L131-7-W27S-30-A-MA

Code	Wattage	Color	Beam	Input Voltage	Finish
<b>L131</b>	<b>- 7</b>				
	7= 3 x 2.5W	<b>W22S</b> = 2200K, 80+CRI <b>W27S</b> = 2700K, 80+CRI <b>W30S</b> = 3000K, 80+CRI <b>W35S</b> = 3500K, 80+CRI <b>W41S</b> = 4100K, 80+CRI <b>W27H</b> = 2700K, 90+CRI <b>W30H</b> = 3000K, 90+CRI <b>W35H</b> = 3500K, 90+CRI	<b>30</b> = 30° beam <b>60</b> = 60° beam	<b>A</b> = 12V AC <b>D</b> = DC	<b>MA</b> = matte clear anodized <b>BA</b> = black anodized <b>WH</b> = white powder coating

**Dimension:**



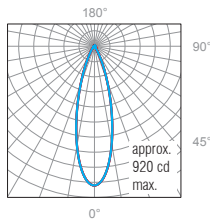
**PHOTOMETRIC DATA:**

**7.5W, 3000K 80+CRI, 30° beam**

**Polar Candela Distribution**

**Illuminance at a Distance**

Lumen: 266lm



	Center Beam FC	Beam Width
3.0'	102.3	1.6' 1.6'
6.0'	25.6	3.2' 3.2'
9.0'	11.4	4.8' 4.8'
12.0'	6.4	6.4' 6.4'
15.0'	4.1	8.0' 8.0'
18.0'	2.8	9.6' 9.6'

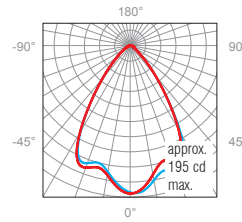
0° Spread: 31.3°    90° Spread: 31.3°

**7.5W, 3000K 80+CRI, 60° beam**

**Polar Candela Distribution**

**Illuminance at a Distance**

Lumen: 240lm



	Center Beam FC	Beam Width
3.0'	21.6	4.1' 4.1'
6.0'	5.4	8.2' 8.2'
9.0'	2.4	12.3' 12.3'
12.0'	1.3	16.4' 16.4'
15.0'	0.9	20.6' 20.4'
18.0'	0.6	24.7' 24.5'

0° Spread: 68.8°    90° Spread: 68.5°