

L182

Application Modular bottle rack system for restaurants, bars, and wine cellars with 100% no UV and no heat.

Mounting Can be mounted directly to wall or can be mounted freely from ceiling to floor. Mounting bracket (not included) must be used for Free standing mounting option

Electrical 1W, 350mA LED per arm.

LED Input Voltage: 4V DC / 12VAC

Power Supply: (not included)

DC - Powered by remote 350mA DC driver. Recommended LED8W350L. Dimmable with dimming controller, 0-10V. Consult factory.

AC - Powered by remote 120V primary, 12V secondary magnetic transformer. Recommended 12V AC magnetic transformer (not included). Consult factory for dimming option.

*See website for recommended drivers

*Remote emergency driver / inverter options available. Consult factory.

Power Consumption 1.5W per arm

Warranty 5 years limited warranty

Estimated useful life of LED is 50,000 hours.

Material Black anodized aluminum. RoHS compliant.

Approval



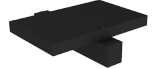
DISCLAIMER

Malfunction and damage to product due to improper dimming system installation or misuse will not be covered under warranty. Only DC Drivers are recommended for dimming systems. Consult MP Lighting for recommended drivers.

*MP Lighting reserves the right, at its sole discretion, at any time and without notice, to make design changes to any of our products.



Cross Bar Options:



1A single neck view

2A Double neck view

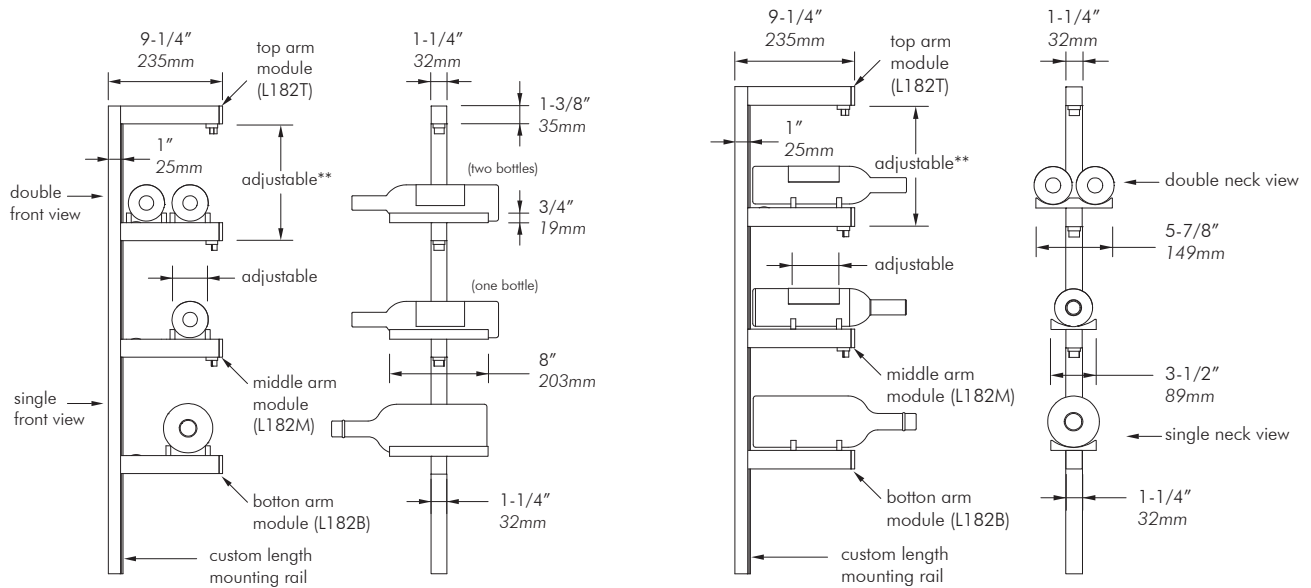
1B Single front view

2B Double front view

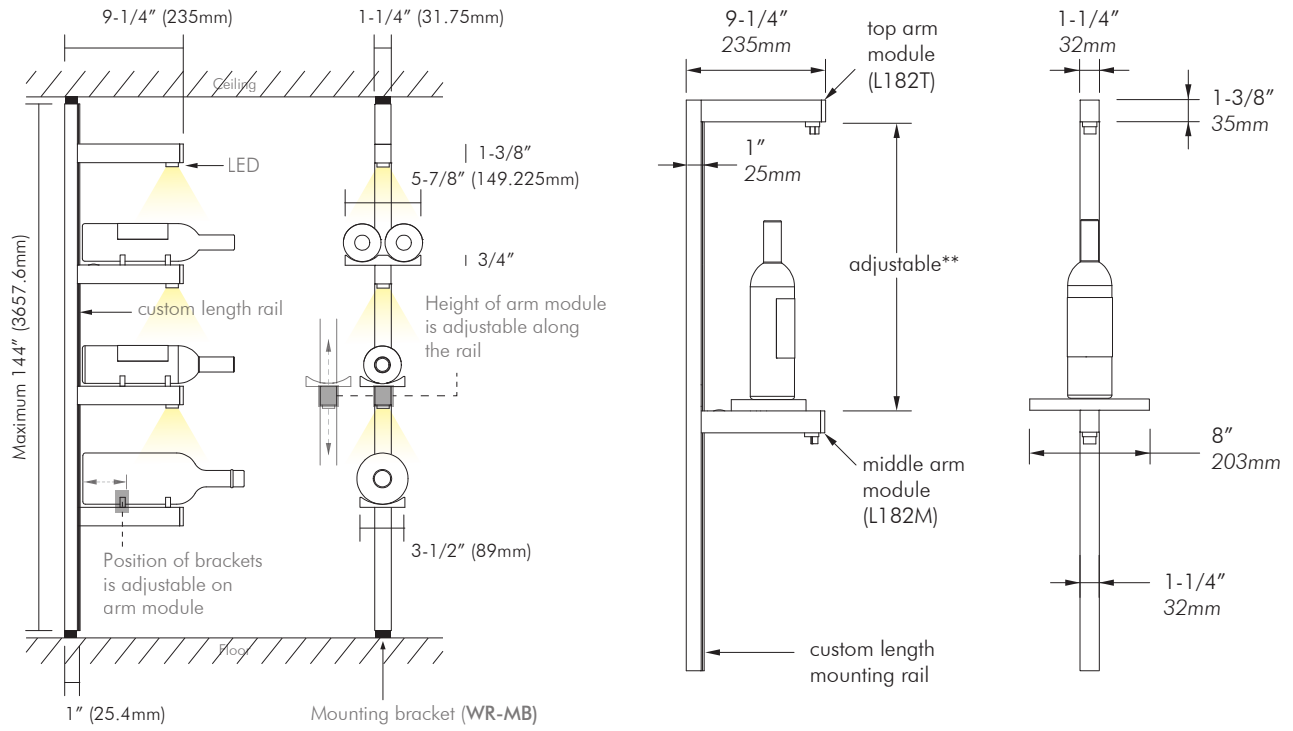
4B Quadruple front view

1V Single Vertical View

DIMENSION:



mounted on wall



mounted from ceiling to floor

Vertical bottle holder

Order Guide

Rail comes with rubber cover.

Code	Length	ACCESSORIES	Finish
RAL182	-	-	BA
<i>rail</i>	X = custom by foot *9ft (2.74m) max recommended length	WR-MB = wine rack mounting bracket *Mounting Bracket is optional. Used only for free standing mount from ceiling to floor.	BA = black anodized

Top Arm Module has LED and no cross bars.

Code	Colour	Beam	Accessories	input Voltage	Finish
L182T	-	-	-	-	BA
<i>top arm</i>	W22S = 2200K, 80+CRI W27S = 2700K, 80+CRI W30S = 3000K, 80+CRI W30H = 3000K, 90+CRI	S = spot (12°) N = narrow flood (30°) W = wide flood (120°)	NA = no accessory FS = full shroud HS = half shroud	D = DC A = 12V AC *12V AC only available for W27S & W30S	BA = black anodized

Middle Arm Module has LED and cross bars.

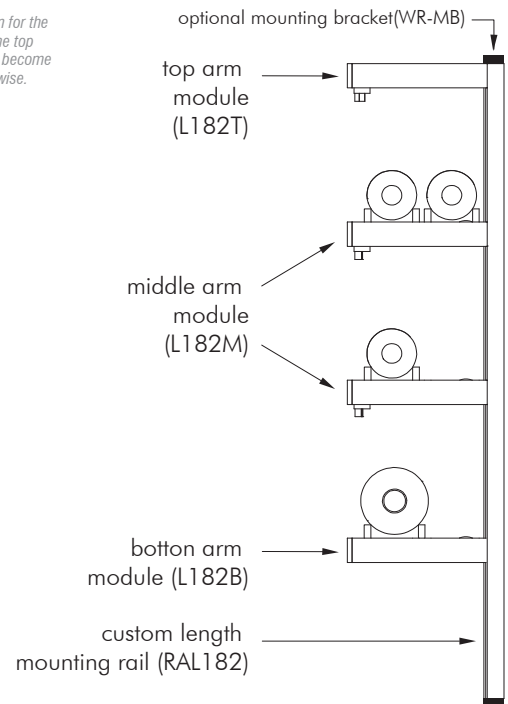
Code	Colour	Beam	Accessories	input Voltage	Cross Bar	Finish
L182M	-	-	-	-	-	BA
<i>middle arm</i>	W22S = 2200K, 80+CRI W27S = 2700K, 80+CRI W30S = 3000K, 80+CRI W30H = 3000K, 90+CRI	S = spot (12°) N = narrow flood(30°) W = wide flood (120°)	NA = no accessory FS = full shroud HS = half shroud	D = DC A = 12V AC *12V AC only available for W27S & W30S	1A = single neck view 2A = double neck view 1B = single front view 2B = double front view *4B = 4 bottle front view 1V = vertical bottle holder	BA = black anodized

*When 4B cross bar is chosen for the middle/bottom arm module, the top arm module will automatically become 4B length unless stated otherwise.

Bottom Arm Module has cross bars and no LED.

Code	Cross Bar	Finish
L182B	-	BA
<i>bottom arm</i>	1A = single neck view 2A = double neck view 1B = single front view 2B = double front view *4B = 4 bottle front view 1V = vertical bottle holder	BA = black anodized

*When 4B cross bar is chosen for the middle/bottom arm module, the top arm module will automatically become 4B length unless stated otherwise.



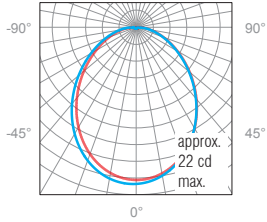
PHOTOMETRIC DATA:

1W, 3000K, 80+CRI

Polar Candela Distribution

Illuminance at a Distance

Lumen: 58lm



	Center Beam FC	Beam Width	
0.2'	774.9	0.4'	0.4'
0.3'	193.7	0.8'	0.7'
0.5'	86.1	1.1'	1.1'
0.7'	48.4	1.5'	1.4'
0.8'	31.0	1.9'	1.8'
1.0'	21.5	2.3'	2.2'

■ 0° Spread: 96.8°
 ■ 90° Spread: 94.2°