



# L72HD

- Application** Interior directional light for wall, picture or signage illumination.  
Recommended Projects - Commercial, Institutional, Retail, Educational, Architecture
- IP Rating** 20
- Mounting** Retrofit to existing standard octagonal box using custom mounting plate (included).
- Electrical** 12 x 1W, 350mA LEDs.  
12V AC or 24V DC
- Power Consumption** 17W
- Light Output** 12 Watt, 487~792lm  
\*For photometric data, see page 02
- Warranty** 5 years limited warranty  
Estimated useful life of LED is 50,000 hours.
- Material** Solid anodized aluminum, RoHS compliant.
- Weight** 0.926lbs (0.445kg)
- Approval** Dry locations. Approved to US and Canadian standards by CSA.



### Emergency Driver options (remote):

MP Lighting Emergency Backup Unit.  
Input: 100-277V, 50/60Hz / Output: 11-36V, 16W

Bodine Emergency Micro Inverter  
Input: 120/277V, 50/60Hz / Output: 120/277V, 60Hz, 20W

**DISCLAIMER** When using a control system, consult dimming system manufacturer with minimum load before installing 12V AC transformer. Malfunction and damage to product due to improper dimming system installation or misuse will not be covered under warranty. Only DC Drivers are recommended for dimming systems. Consult MP Lighting for recommended drivers.

\*MP Lighting reserves the right, at its sole discretion, at any time and without notice, to make design changes to any of our products.

Type:

Project:

Modified:

Quantity:

Notes:

### Order Guide

Example: L72-HD-W27S-S-A-1-MA

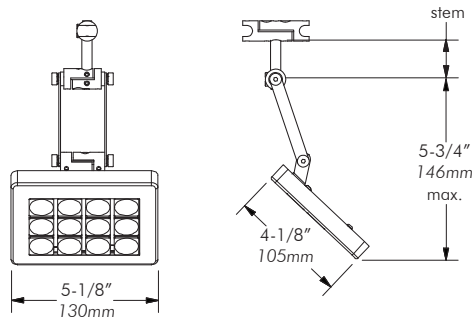
Code	Mounting	Color	Beam	Input Voltage	Stem	Finish
L72	HD	-	-	-	-	MA

<b>HD</b> = horizontal double rail	<b>W27S</b> = 2700K, std CRI <b>W30S</b> = 3000K, std CRI <b>W35S</b> = 3500K, std CRI <b>W41S</b> = 4100K, std CRI <b>W20H</b> = 2000K, high CRI <b>W30H</b> = 3000K, high CRI	<b>S</b> = spot (12°) <b>N</b> = narrow flood (30°) <b>F</b> = flood (60°)	<b>A</b> = 12V AC <b>D</b> = DC	<b>1</b> = 1" (25mm) <b>X</b> = custom	<b>MA</b> = matte clear anodized
------------------------------------	--	--	------------------------------------	---	----------------------------------

Note: Standard CRI has a value of 75--82 while high CRI has 92.

**DIMENSION:**



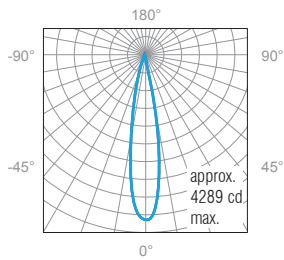
**PHOTOMETRIC DATA:**

**12W, 3000K**

**Polar Candela Distribution**

**Illuminance at a Distance**

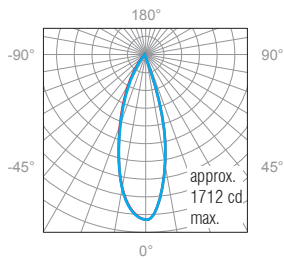
**Lumen: 792lm, Spot beam**



	Center Beam FC	Beam Width
3.0'	476.5	1.0'
6.0'	119.1	2.0'
9.0'	52.9	3.0'
12.0'	29.8	4.0'
15.0'	19.1	5.0'
18.0'	13.2	6.0'

0° Spread: 19.0°

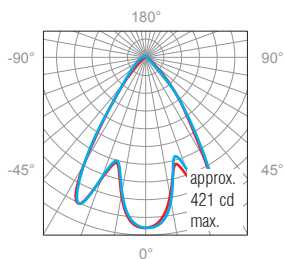
**Lumen: 533lm, Narrow beam (30°)**



	Center Beam FC	Beam Width
3.0'	190.2	1.6'
6.0'	47.6	3.3'
9.0'	21.1	4.9'
12.0'	11.9	6.6'
15.0'	7.6	8.2'
18.0'	5.3	9.9'

0° Spread: 30.7°

**Lumen: 487lm, Narrow Flood beam (60°)**



	Center Beam FC	Beam Width
3.0'	46.7	3.9' 3.9'
6.0'	11.7	7.7' 7.8'
9.0'	5.2	11.6' 11.7'
12.0'	2.9	15.4' 15.6'
15.0'	1.9	19.3' 19.5'
18.0'	1.3	23.1' 23.4'

0° Spread: 65.5°    0° Spread: 66.0°