



# L72VD

**Application:** Interior directional light for wall, picture or signage illumination.

**Electrical:** 12 x 1W, 350mA LEDs.

**LED Input Voltage:** 12V AC or 24V DC

**Power Consumption:** 17W

**Power Supply:** (not included) DC - Powered by remote 700mA, 24V DC driver. Recommended TLDAV100W24V. Dimmable with dimming controller TLC010i, 0-10V dimming. AC - Recommended TLW120MT050-01 / TLW277MT050 magnetic transformer (not included). Consult factory for dimming option. Compatible with Redwood Systems.

**Weight:** 0.925lbs (0.42kg)

**Material:** Anodized aluminum. RoHS compliant.

**Mounting:** Rotatable and easy to position. Designed for use on 12V or 24V MP vertical double rail system (sold separately).

**IP rating:** 20

**Warranty:** 5 years limited warranty. Estimated useful life of LED is 50,000 hours.

**Approval:** Dry locations. Approved to US and Canadian standards by CSA.



**Emergency Driver options (remote):**

MP Lighting Emergency Backup Unit.  
Input: 100-277V, 50/60Hz / Output: 11-36V, 16W

Bodine Emergency Micro Inverter  
Input: 120/277V, 50/60Hz / Output: 120/277V, 60Hz, 20W

**Type:**

**Project:**

**Modified:**

**Quantity:**

**Notes: PLEASE READ** - When using a control system, consult dimming system manufacturer with minimum load before installing 12V AC transformer. Malfunction and damage to product due to improper dimming system installation or misuse will not be covered under warranty. Only DC Drivers are recommended for dimming systems. Consult MP Lighting for recommended drivers.

**Order Guide**

Example: L72-VD-W27S-S-A-1-MA

Code	Mounting	Color	Beam	Input Voltage	Stem	Finish
L72	VD	-	-	-	-	MA

VD = vertical double rail

W27S = 2700K, std CRI  
W30S = 3000K, std CRI  
W35S = 3500K, std CRI  
W41S = 4100K, std CRI  
W20H = 2000K, high CRI  
W30H = 3000K, high CRI

S = spot (12°)  
N = narrow flood (30°)  
F = flood (60°)

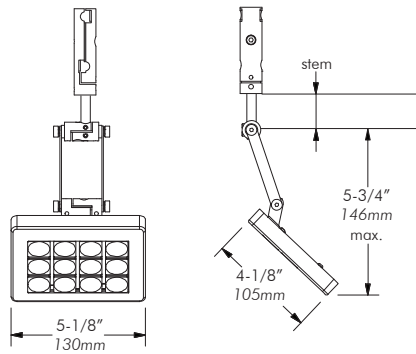
A = 12V AC  
D = DC

1 = 1" (25mm)  
X = custom

MA = matte clear anodized

Note: Standard CRI has a value of 75-82 while high CRI has 92.

**DIMENSION:**



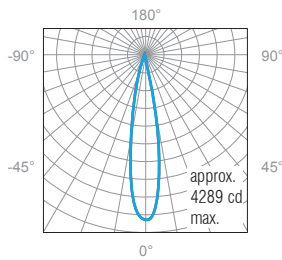
**PHOTOMETRIC DATA:**

**12W, 3000K**

**Polar Candela Distribution**

**Illuminance at a Distance**

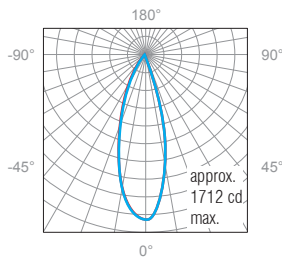
Lumen: 792lm, Spot beam



	Center Beam FC	Beam Width
3.0'	476.5	1.0'
6.0'	119.1	2.0'
9.0'	52.9	3.0'
12.0'	29.8	4.0'
15.0'	19.1	5.0'
18.0'	13.2	6.0'

0° Spread: 19.0°

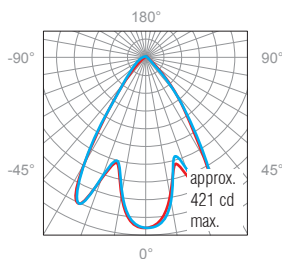
Lumen: 533lm, Narrow beam (30°)



	Center Beam FC	Beam Width
3.0'	190.2	1.6'
6.0'	47.6	3.3'
9.0'	21.1	4.9'
12.0'	11.9	6.6'
15.0'	7.6	8.2'
18.0'	5.3	9.9'

0° Spread: 30.7°

Lumen: 487lm, Narrow Flood beam (60°)



	Center Beam FC	Beam Width
3.0'	46.7	3.9' 3.9'
6.0'	11.7	7.7' 7.8'
9.0'	5.2	11.6' 11.7'
12.0'	2.9	15.4' 15.6'
15.0'	1.9	19.3' 19.5'
18.0'	1.3	23.1' 23.4'

0° Spread: 65.5°    0° Spread: 66.0°