



Type:

Project:

Modified:

Quantity:

Notes:

L730

Application Outdoor / Indoor ground, wall and ceiling mount. This will provide a focused beam of light adding illumination and security to exterior spaces.

Recommended Projects - Commercial, Residential, Institutional, Architecture, Landscape

Mounting Can be surface mounted to octagon boxes on walls, soffits and canopies. Also can be used with direct burial boxes in earth, gravel and other landscaping materials. Requires remote driver

IP rating 66

Mounting Retrofit to existing standard octagonal box using custom mounting plate (included)

Electrical 1W
2.5W
3V DC (driver not included)

Power 1.0 Watt

Consumption 2.5 Watt

Light Output 1.0 Watt, 47~56lm
2.5 Watt, 90~99lm

Warranty 5 years limited warranty
Estimated useful life of LED is 50,000 hours.

Material Solid anodized aluminum or Stainless Steel 316 and Anodized. RoHS compliant.

Weight 1.1lb (0.5kg)

Approval  

DISCLAIMER Malfunction and damage to product due to improper dimming system installation or misuse will not be covered under warranty. Only DC Drivers are recommended for dimming systems. Consult MP Lighting for recommended drivers.

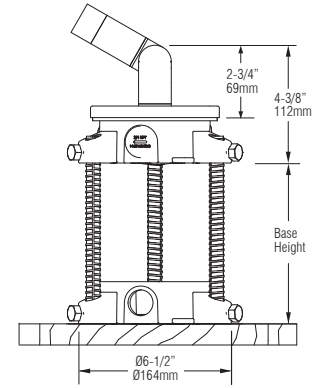
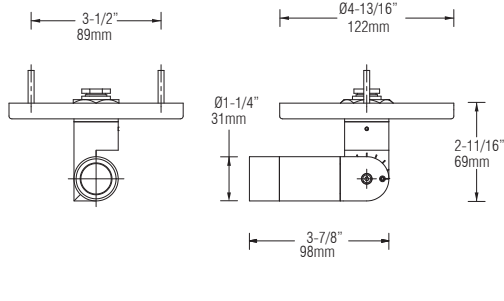
*MP Lighting reserves the right, at its sole discretion, at any time and without notice, to make design changes to any of our products.

Order Guide

Example: L730-2-W30S-S-D-S6

| Code | Wattage | Color | Beam | Input Voltage | Finish |
|------|--------------------|--|--|---------------|--|
| L730 | - | - | - | - | - |
| | 1 = 1W 2 = 2.5W | W22S = 2200K, 80+CRI W27S = 2700K, 80+CRI W30S = 3000K, 80+CRI W35S = 3500K, 80+CRI W41S = 4100K, 80+CRI W27H = 2700K, 90+CRI W30H = 3000K, 90+CRI W35H = 3500K, 90+CRI | S = spot (12°) N = narrow flood (30°) | D = DC | S6 = Stainless Steel 316 BA = Black Anodized BZ = Bronze Anodized MA = Matte clear anodized BR = Brass |

DIMENSION:



Shown with MK2
*Rebar not included. Supply by contractor

PHOTOMETRIC DATA:

1W, 3000K, 80+CRI

2.5W, 3000K, 80+CRI

Polar Candela Distribution

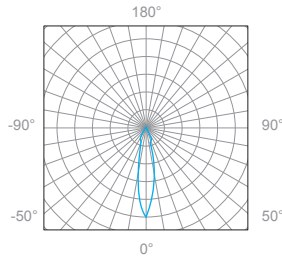
Illuminance at a Distance

Polar Candela Distribution

Illuminance at a Distance

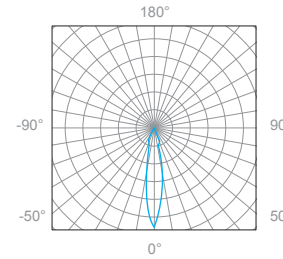
Lumen: 47lm (12°)

Lumen: 90lm (12°)



| | Center Beam FC | Beam Width |
|------|----------------|--------------|
| 1.0' | 242 | 0.4' (121mm) |
| 2.0' | 60.4 | 0.7' (213mm) |
| 3.0' | 26.8 | 1.1' (335mm) |
| 4.0' | 15.1 | 1.4' (426mm) |
| 5.0' | 9.66 | 1.8' (548mm) |
| 6.0' | 6.71 | 2.1' (640mm) |

0° Spread: 19.9°



| | Center Beam FC | Beam Width |
|------|----------------|--------------|
| 1.0' | 444 | 0.4' (121mm) |
| 2.0' | 111 | 0.7' (213mm) |
| 3.0' | 49.4 | 1.1' (335mm) |
| 4.0' | 27.8 | 1.4' (426mm) |
| 5.0' | 17.8 | 1.8' (548mm) |
| 6.0' | 12.3 | 2.1' (640mm) |

0° Spread: 19.9°

Polar Candela Distribution

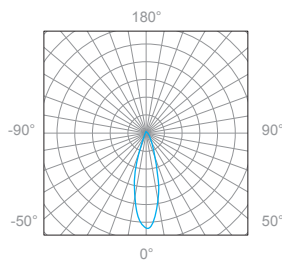
Illuminance at a Distance

Polar Candela Distribution

Illuminance at a Distance

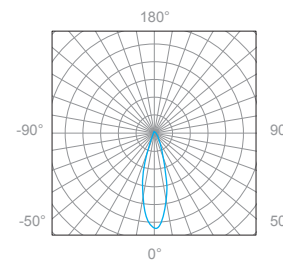
Lumen: 56lm (30°)

Lumen: 99lm (30°)



| | Center Beam FC | Beam Width |
|------|----------------|--------------|
| 1.0' | 201 | 0.5' (152mm) |
| 2.0' | 50.3 | 1.0' (304mm) |
| 3.0' | 22.3 | 1.5' (457mm) |
| 4.0' | 12.6 | 2.0' (609mm) |
| 5.0' | 8.04 | 2.5' (762mm) |
| 6.0' | 5.59 | 3.0' (914mm) |

0° Spread: 28.3°



| | Center Beam FC | Beam Width |
|------|----------------|--------------|
| 1.0' | 355 | 0.5' (152mm) |
| 2.0' | 88.8 | 1.0' (304mm) |
| 3.0' | 39.5 | 1.5' (457mm) |
| 4.0' | 22.2 | 2.0' (609mm) |
| 5.0' | 14.2 | 2.5' (762mm) |
| 6.0' | 9.87 | 3.0' (914mm) |

0° Spread: 28.3°