



10W Spotlight - Canopy Mount

# L75C1

## SPEC SHEET

**Application:** Interior directional light for wall, picture or signage illumination.

**Electrical:** 4 x 2.5W, 700mA LEDs.

LED Input Voltage: 12V DC

Power Consumption: 12W

Power Supply: (not included)

**DC** - Powered by remote 120V primary, 700mA driver. Recommended TLDAV100W15V. Dimmable with dimmable driver and controller, 0~10V dimming.

**Weight:** 0.57lbs (0.258kg).

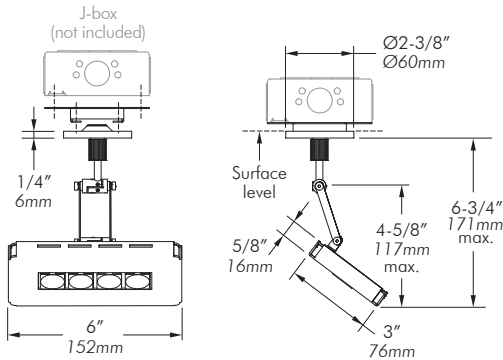
**Material:** Anodized aluminum. RoHS compliant.

**Mounting:** Retrofit to existing standard octagonal box using custom mounting plate (included).

**Approval:** Dry Locations. Approved to US and Canadian standards by CSA.



C1M  
(retrofit mounting plate)



Type:

Project:

Modified:

Quantity:

Notes:

CODE	MOUNT	COLOR	BEAM	STEM	FINISH
L75	C1M				MA

**C1M** = Ø2-3/8" x 1/4" canopy w/ retrofit mounting plate

**W27S** = 2700K, std CRI  
**W30S** = 3000K, std CRI  
**W20H** = 2000K, high CRI

*Note: Standard CRI has a value of 75~82 while high CRI has 92.*

**S** = spot (12°)  
**N** = narrow flood (30°)  
**F** = flood (60°)

**1** = 1" (25mm) stem  
**X** = custom stem

**MA** = matte clear anodized

**MP LIGHTING®**

t 1.877.708.1184 f 604.708.1185 www.mplighting.com  
 16 West 4th Avenue, Vancouver BC V5Y 1G3, Canada

# L75C1

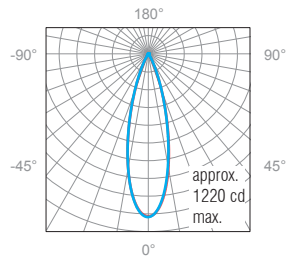
## SPEC SHEET

Lumen test results provided  
by LED chip manufacturer

### Photometric Data

**L75**  
30°  
3000K Std  
343 lm

**Polar Candela Distribution**



**Illuminance at a Distance**

	Center Beam FC	Beam Width	
4.0'	76.0	2.0'	2.1'
5.0'	48.6	2.6'	2.6'
6.0'	33.8	3.1'	3.1'
7.0'	24.8	3.6'	3.6'
8.0'	19.0	4.1'	4.1'
9.0'	15.0	4.6'	4.6'

■ 0° Spread: 28.8°     ■ 90° Spread: 28.9°