



# L930

**Application** Outdoor stake light. Provides luminations for spot-and accent lighting of gardens or landscape environment.

Recommended Projects - Commercial, Residential, Institutional, Architecture, Landscape

**Mounting** Fixture is equipped with a ground stake that allows both wall mounting and ground installation. Can be used with direct burial boxes in earth, gravel and other landscaping materials. Requires remote driver

**IP rating** 66

**Mounting** Retrofit to existing standard octagonal box using custom mounting plate (included)

**Electrical** 1W  
2.5W  
3V DC (driver not included)

**Power** 1.0 Watt

**Consumption** 2.5 Watt

**Light Output** 1.0 Watt, 46.76~55.9lm  
2.5 Watt, 89.7~98.8lm

**Warranty** 5 years limited warranty  
Estimated useful life of LED is 50,000 hours.

**Material** Aluminum Anodized or Stainless Steel 316. RoHS compliant.  
\*Stake section of fixture available only in Stainless Steel 316.

**Weight** 0.5lb (0.25kg)

**Approval**  

**DISCLAIMER** Malfunction and damage to product due to improper dimming system installation or misuse will not be covered under warranty. Only DC Drivers are recommended for dimming systems. Consult MP Lighting for recommended drivers.

\*MP Lighting reserves the right, at its sole discretion, at any time and without notice, to make design changes to any of our products.

**Type:**

**Project:**

**Modified:**

**Quantity:**

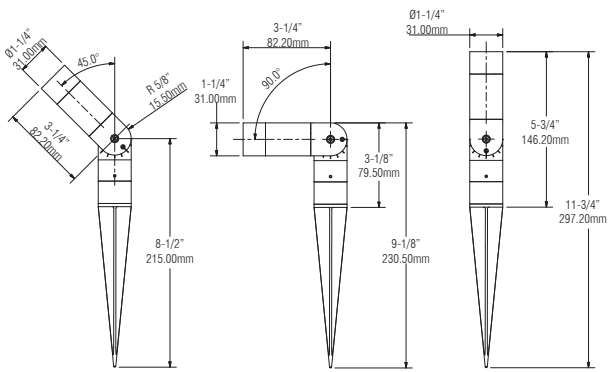
**Notes:**

## Order Guide

Example: L930-2-W30S-S-D-S6

Code	Wattage	Color	Beam	Input Voltage	Finish
<b>L930</b>	-			<b>D</b>	
	1 = 1W 2 = 2.5W	<b>W22S</b> = 2200K, 80+CRI <b>W27S</b> = 2700K, 80+CRI <b>W30S</b> = 3000K, 80+CRI <b>W35S</b> = 3500K, 80+CRI <b>W41S</b> = 4100K, 80+CRI <b>W27H</b> = 2700K, 90+CRI <b>W30H</b> = 3000K, 90+CRI <b>W35H</b> = 3500K, 90+CRI	<b>S</b> = spot (12°) <b>N</b> = narrow flood (30°)	<b>D</b> = DC	<b>S6</b> = Stainless Steel 316 <b>BA</b> = Black anodized <b>BZ</b> = Bronze anodized

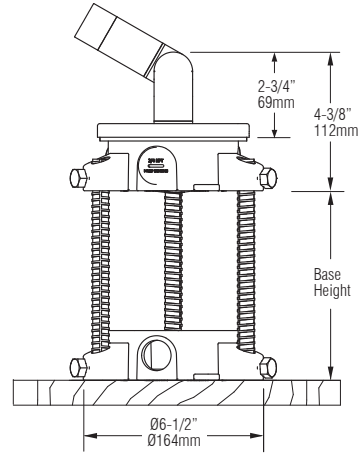
**DIMENSION:**



fixture at 45°

fixture at 0°

fixture at 90°



Shown with MK2  
\*Rebar not included. Supply by contractor

**PHOTOMETRIC DATA:**

**1W, 3000K, 80+ CRI**

**2.5W, 3000K, 80+ CRI**

**Polar Candela Distribution**

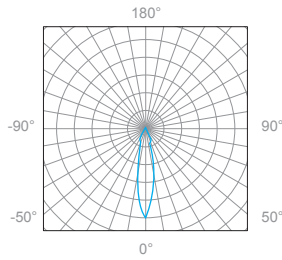
**Illuminance at a Distance**

**Polar Candela Distribution**

**Illuminance at a Distance**

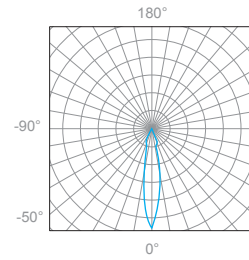
Lumen: 46.76lm (12°)

Lumen: 89.7lm (12°)



	Center Beam FC	Beam Width
1.0'	242	0.4' (121mm)
2.0'	60.4	0.7' (213mm)
3.0'	26.8	1.1' (335mm)
4.0'	15.1	1.4' (426mm)
5.0'	9.66	1.8' (548mm)
6.0'	6.71	2.1' (640mm)

0° Spread: 19.9°



	Center Beam FC	Beam Width
1.0'	444	0.4' (121mm)
2.0'	111	0.7' (213mm)
3.0'	49.4	1.1' (335mm)
4.0'	27.8	1.4' (426mm)
5.0'	17.8	1.8' (548mm)
6.0'	12.3	2.1' (640mm)

0° Spread: 19.9°

**Polar Candela Distribution**

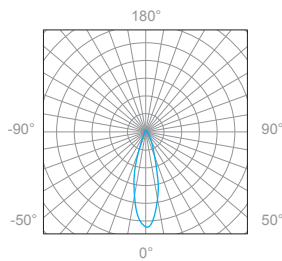
**Illuminance at a Distance**

**Polar Candela Distribution**

**Illuminance at a Distance**

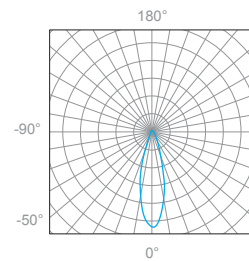
Lumen: 55.9lm (30°)

Lumen: 98.8 (30°)



	Center Beam FC	Beam Width
1.0'	201	0.5' (152mm)
2.0'	50.3	1.0' (304mm)
3.0'	22.3	1.5' (457mm)
4.0'	12.6	2.0' (609mm)
5.0'	8.04	2.5' (762mm)
6.0'	5.59	3.0' (914mm)

0° Spread: 28.3°



	Center Beam FC	Beam Width
1.0'	355	0.5' (152mm)
2.0'	88.8	1.0' (304mm)
3.0'	39.5	1.5' (457mm)
4.0'	22.2	2.0' (609mm)
5.0'	14.2	2.5' (762mm)
6.0'	9.87	3.0' (914mm)

0° Spread: 28.3°