



3-Circuit Track

H103CT

SPEC SHEET

Application: Accent, decorative, general and down lighting.

Electrical: Ceramic metal halide (not included).

Input Current: 0.33A (39W), 0.58A (70W)
 Input Voltage: 120V AC
 Power Consumption: 39W, 70W

Weight: 2.52lbs (1.143kg)

Material: Cast aluminum body.

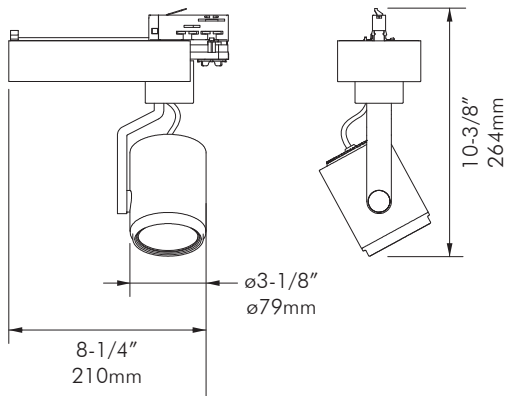
Mounting: Easy to position and tighten. Install on MP 3-Circuit Track System (sold separately). 3-circuit switch selectable (circuit 1, 2, 3 or off). Low profile. Positive locking.

Lamp (not included): T4*.

Average rated life: 12,000 hrs
 Average initial lumens: 3500 (39W), 7300 (70W)
 CRI: 90
 CCT (k): 3000°



Approval: Dry locations. Approved to UL standards by CSA/US.



Type:
 Project:
 Modified:
 Quantity:
 Notes:

CODE	MOUNTING	LAMP	WATTAGE	BEAM	FINISH
H10	3CT 3CT = 3-Circuit Track	T4	39 = 39W 70 = 70W	12 = 12° Beam 24 = 24° Beam 38 = 38° Beam	BK = Black S = Silver

* **Note:** CDM Elite 39W T4 to be used in vertical position ±60° only.



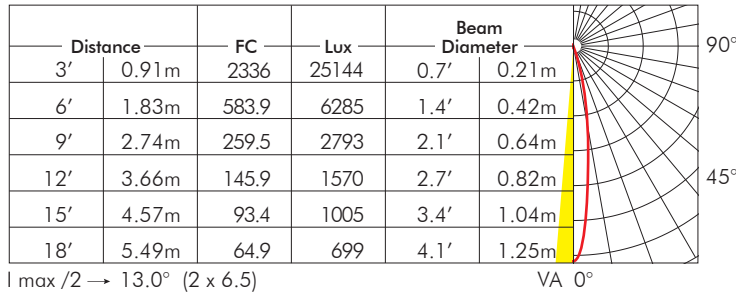
t 604.708.1184 f 604.708.1185 www.mplighting.com
 16 West 4th Avenue, Vancouver BC V5Y 1G3, Canada

H103CT

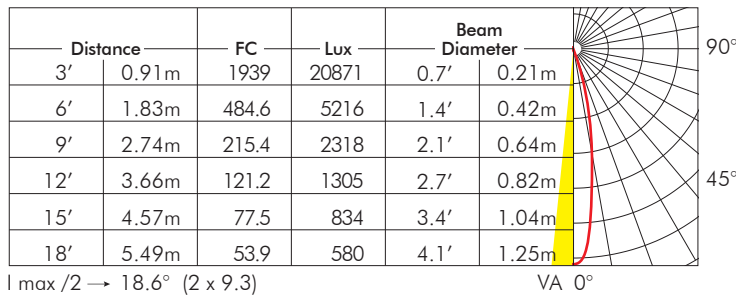
SPEC SHEET

Photometric Data

H10 70W 12°



H10 70W 24°



H10 70W 38°

