

Constant Voltage LED Driver

# TLDDL60W24Vi

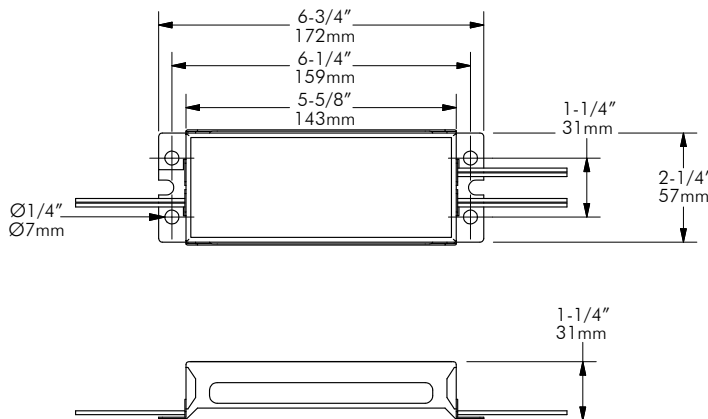
## SPEC SHEET



**Features:**

- UL Class 2 equivalent protection
- Multiple voltage from 120 to 277 volts.
- 0-10V Dimming

AC Input Voltage:	120 ~ 277V, 50/60Hz
DC Output Voltage:	24VDC
DC Output Current:	240~2500mA
Output Wattage:	60W Max
Power Factor:	0.90 Min
Typical Efficiency:	82% Min
Short Circuit Protection:	Yes
Overload Protection:	Yes
Thermal Protection:	Yes
Dimming Function:	With 0-10V dimmer (sold separately)
Operating Temperature:	-40 ~ 60°C (-40 ~ 140°F)
Maximum Case Temperature:	70°C (158°F)
Total Harmonic Distortion:	20% Max
Weight:	500g (1.10 lbs)
Approval:	Dry locations. UL approved.



**Note: Consult factory for wiring length and details.**

ORDER CODE

**TLDDL60W24Vi**



t 604.708.1184 f 604.708.1185 www.mplighting.com  
16 West 4th Avenue, Vancouver BC V5Y 1G3, Canada

[ Project ]

[ Quantity ]

[ Notes ]