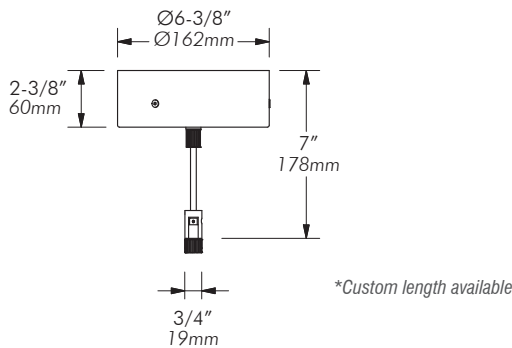


# TLW120E150-SR4C TLW120E150-SR7C

Single Rail Electronic Surface Mount Transformer



**Material:** Steel case and copper tube with electroplated finish

**Mounting:** Surface mounts to standard J-box.

**Electrical:** 100% Duty cycle. Auto reset circuit protection. Can only be used on MP cable system. Stem can be used as a cable support. Can be dimmed using electronic low voltage dimmers (i.e. Lutron Diva).

**AC Input Voltage:** 120V, 60Hz  
**DC Output Voltage:** 12V  
**Output Wattage:** 150W Max. (TLW120E150-SR4C)  
 150W Max. (TLW120E150-SR7C)

**Maximum Load:** Depends on wattage of fixture

**Power Factor:** 95% Min

**Typical Efficiency:** 80%

**Short Circuit Protection:** Yes

**Overload Protection:** Yes

**Operating Temperature:** -10~50°C (14~122°F)

**Maximum Case Temperature:** 65°C (149°F)

**Humidity (Non-Condensing):** 5%~95%

**Weight:** 3lb / 1.4kg

**Approval:** Dry locations. Approved to UL standards by CSA/US.



Type:

Project:

Modified:

Quantity:

Notes:

CODE	WATTAGE	MOUNT	OFFSET	CANOPY	FINISH
TLW120E	150	SR		C	
	150 = 150W	SR = single rail	4 = 4"/102mm from ceiling to bottom of cable 7 = 7"/178mm X = custom length	C = circular	MC = matte chrome BN = brushed nickel