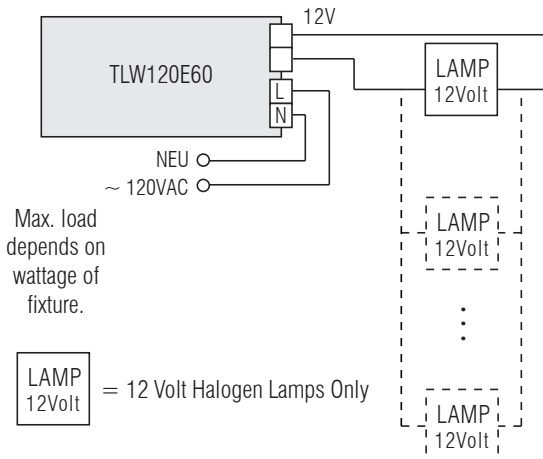
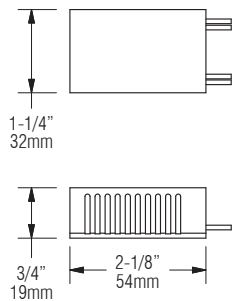


Remote Electronic Transformer

TLW120E60

SPEC SHEET



Features:

- Hard wired remote transformer.
- Dimmable with low voltage electronic dimmers (i.e. Lutron Diva).
- When used with halogen lamps, not recommended for use with dimmable LED MR16s.
- Auto reset circuit protection.
- Dimension: 2-1/8" x 1-1/4" x 3/4"

AC Input Voltage:	120V, 50/60Hz
AC Input Current:	0.5A
AC Output Voltage:	12V
Output Wattage:	60W Max
Power Factor:	98% Min
Short Circuit Protection:	Yes
Overload Protection:	Yes
Dimming function:	With Low Voltage Electronic Dimmers (not included)
Operating Temperature:	-10 ~ 40°C (14 ~ 104°F)
Maximum Case Temperature:	65°C (149°F)
Humidity (Non-Condensing):	5% ~ 95%
Case Material:	Non Conductive White Plastic
Weight:	89.5g (0.20 lbs)
Rated:	Dry Locations
Approval:	UL Listed



Note: Consult factory for wiring length and details.

ORDER CODE

TLW120E60

[Project]

[Quantity]

[Notes]