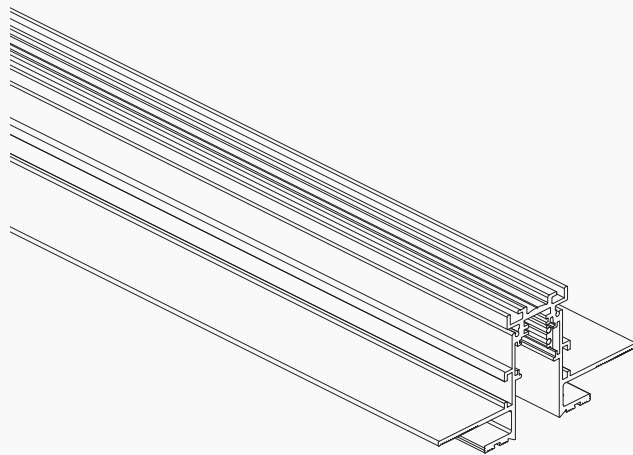


# 1CT Recessed

*Recessed One Circuit Track*



# 1CT Recessed

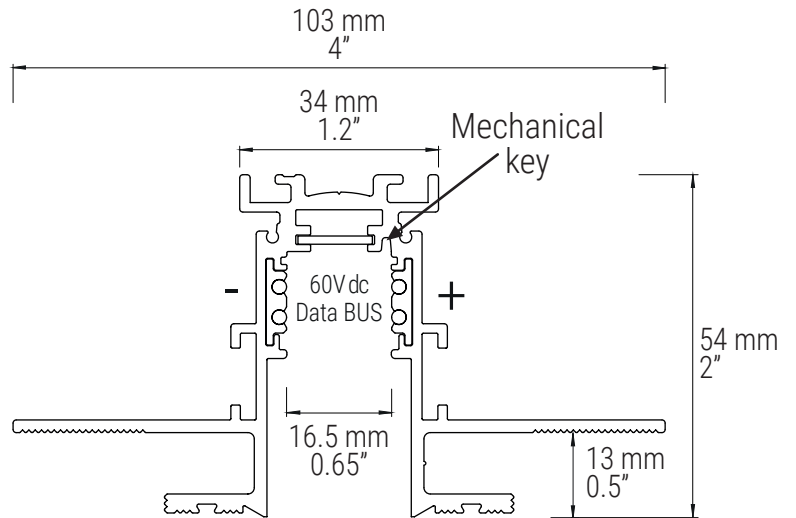
Prepare for Installation

## Parts

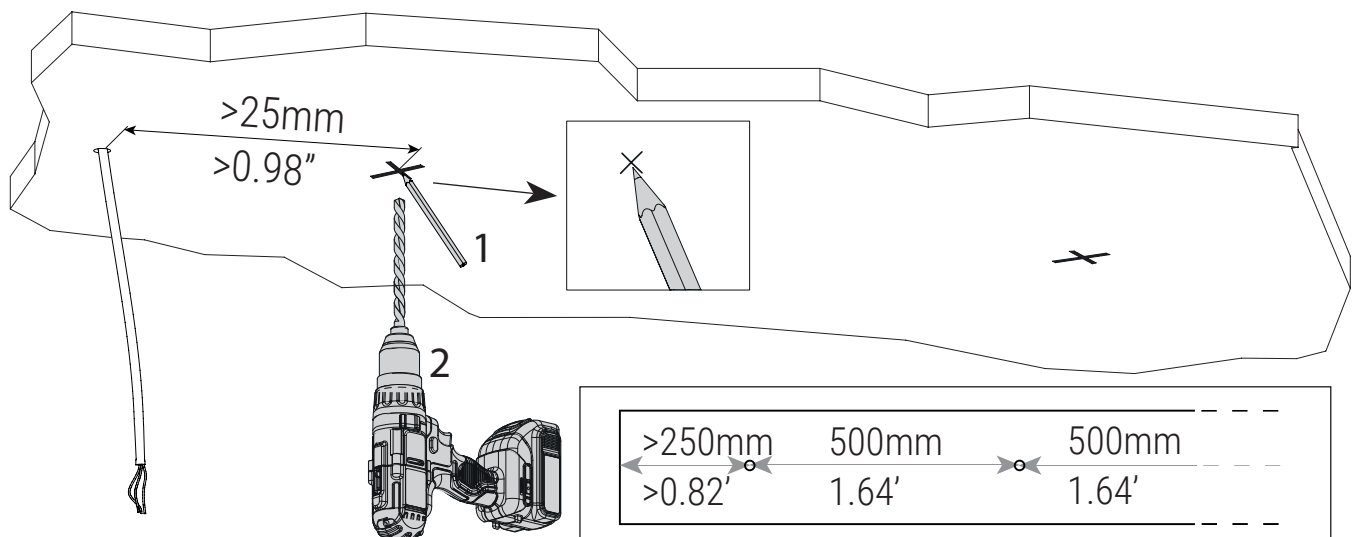
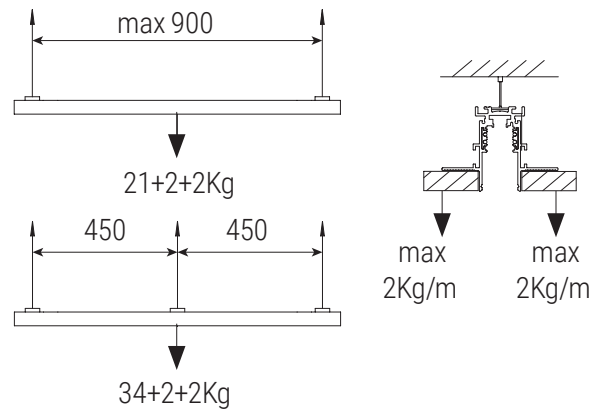
Track

Drill (not supplied)

- 1) Before installing track drill hole through track for power feed. Hole in the support bracket can be used as a guide. Hole should be 10 mm (0.39") from the end of the track.
- 2) Prepare ceiling cut out. Ceiling length should be track length plus 10mm (0.39"). Width should be 54mm (2.13").



## MAX LOAD



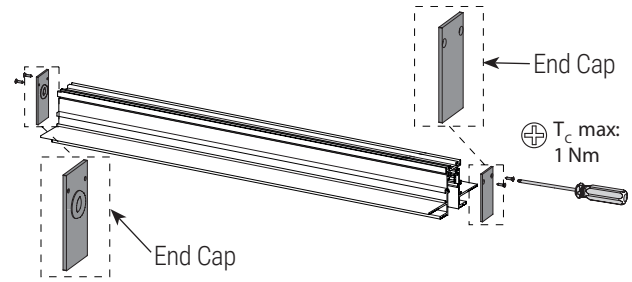
# 1CT Recessed

Install in Ceiling

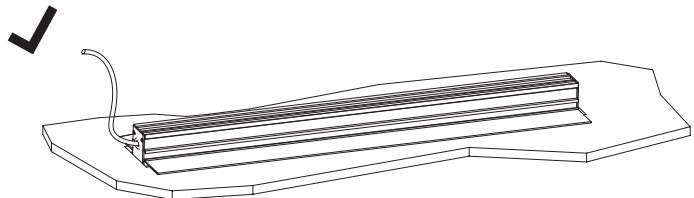
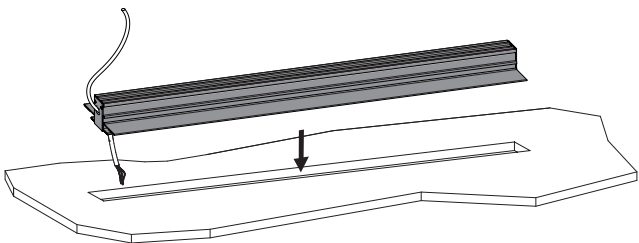
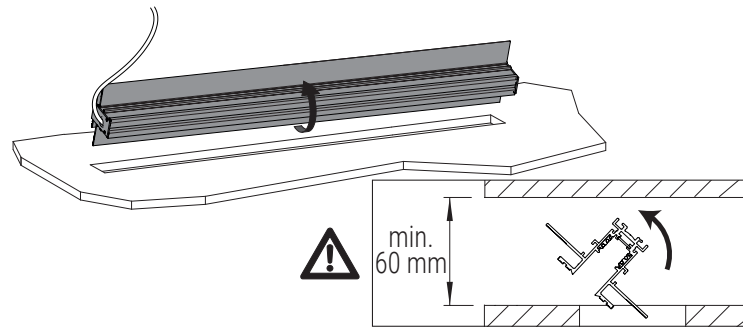
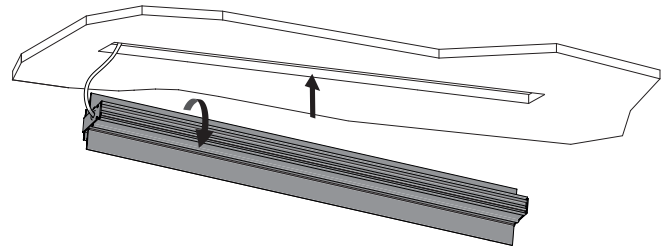
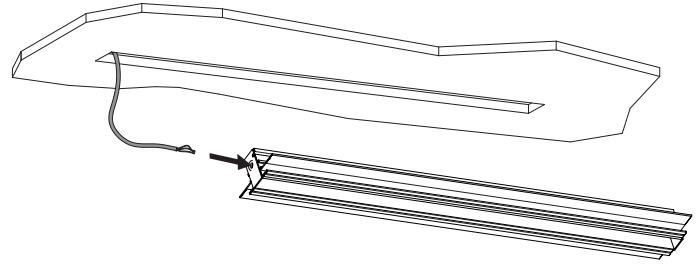
## Parts

Track

Drill (not supplied)



- 1) Track should be assembled with end caps before installing into the ceiling.
- 2) Push from the side and rotate once track is in the cutout. You must have 60 mm height in the ceiling in order to rotate the track.
- 3) Screw into place in to secure following guidelines on page 2.
- 4) Mud in fixture and paint ceiling.



[✓] M<sup>P</sup>LIGHTING®

www.mplighting.com t 1.877.708.1184 f 604.708.1185

All technical information in this document is subject to change. Copyright © MP Lighting. 01-2024

# 1CT Recessed

Bracket Joiner

## Parts

Tracks

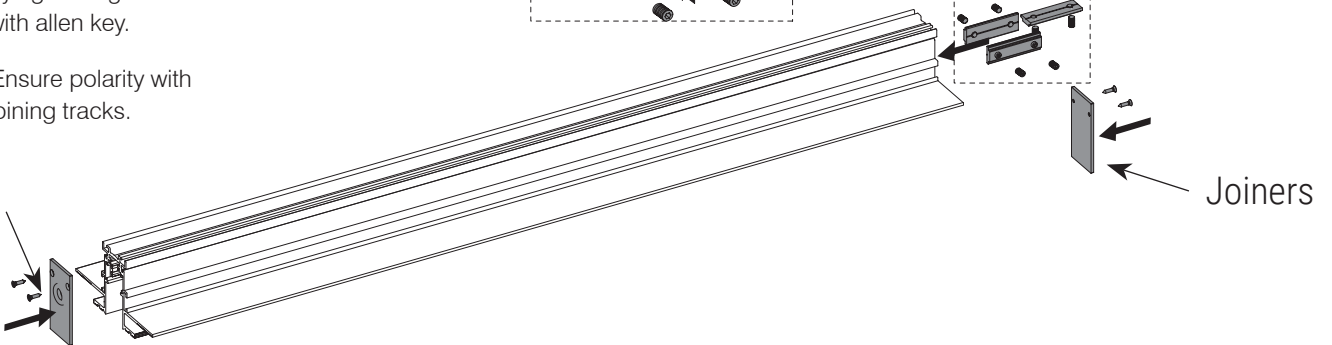
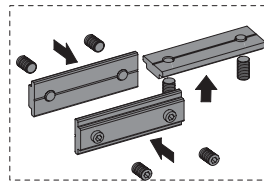
Joiner Bracket

1) Insert joiner brackets into the connecting track.  
Joins in 3 places, tops and both sides

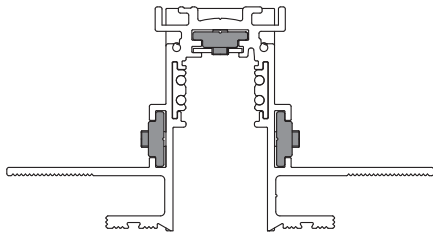
2) Secure the joiner bracket by tightening the screws with allen key.

3) Ensure polarity with joining tracks.

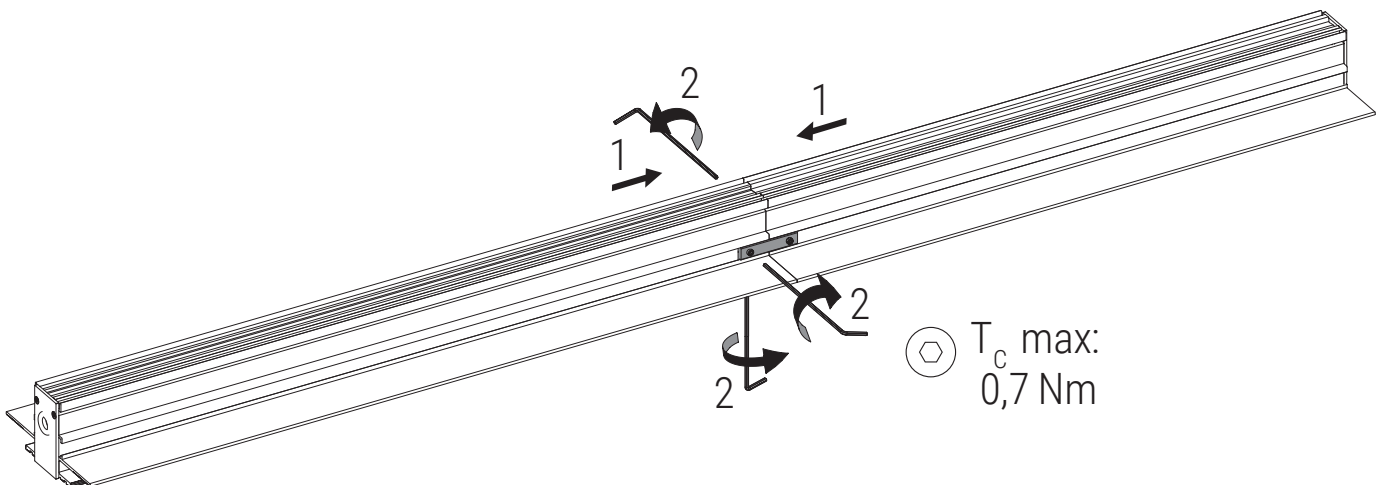
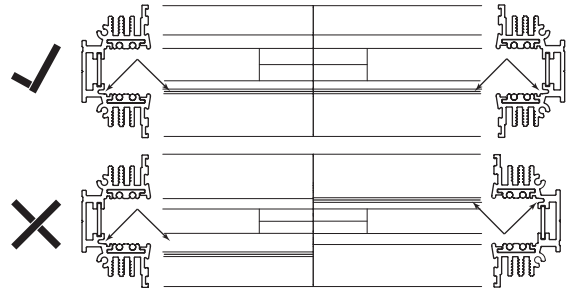
Joiners  
3x



Joiners



  
**POLARITY!**



[M] MP LIGHTING®

www.mplighting.com t 1.877.708.1184 f 604.708.1185

All technical information in this document is subject to change. Copyright © MP Lighting. 01-2024

# 1CT Recessed

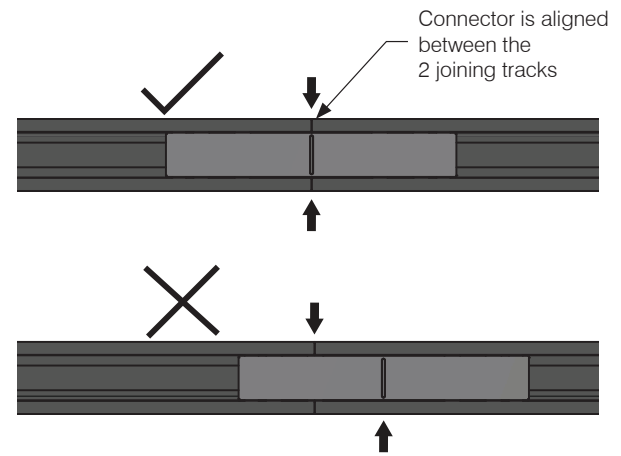
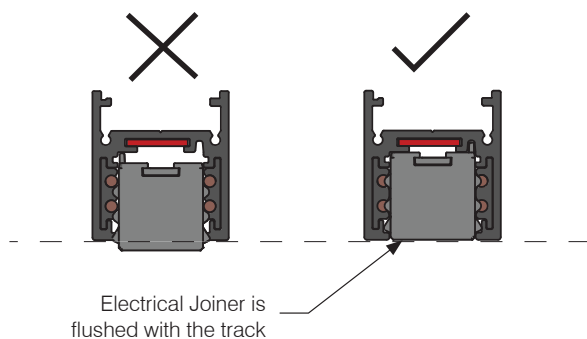
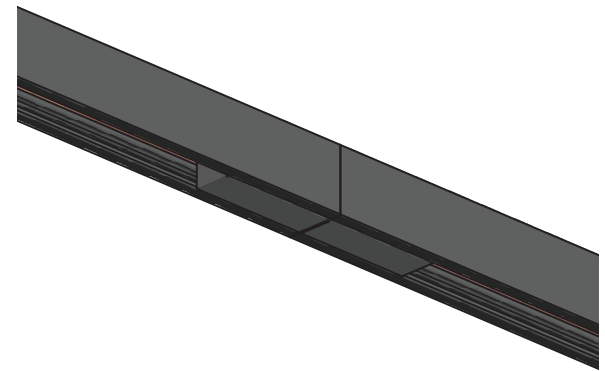
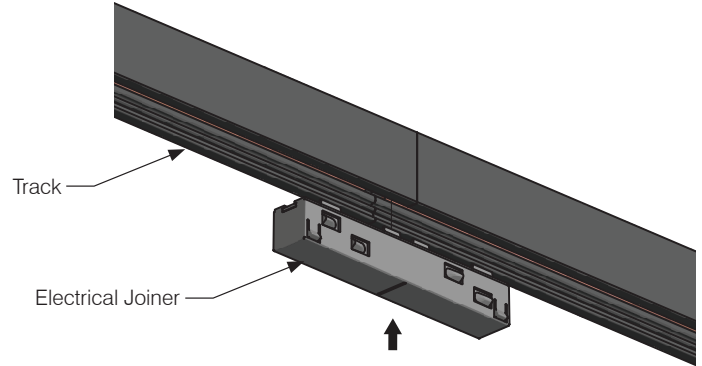
Electrical and Isolated Connector

## Parts

Tracks

Connector (Electrical or Isolated)

- 1) Ensure the the joiner inserts into the track in the correct orientation. The joiner must be completely flushed with the track. The key on the joiner must not interfere in the track.
- 2) The center of the joiner must lie directly between the two tracks.

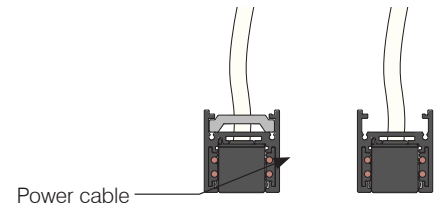


# 1CT Recessed

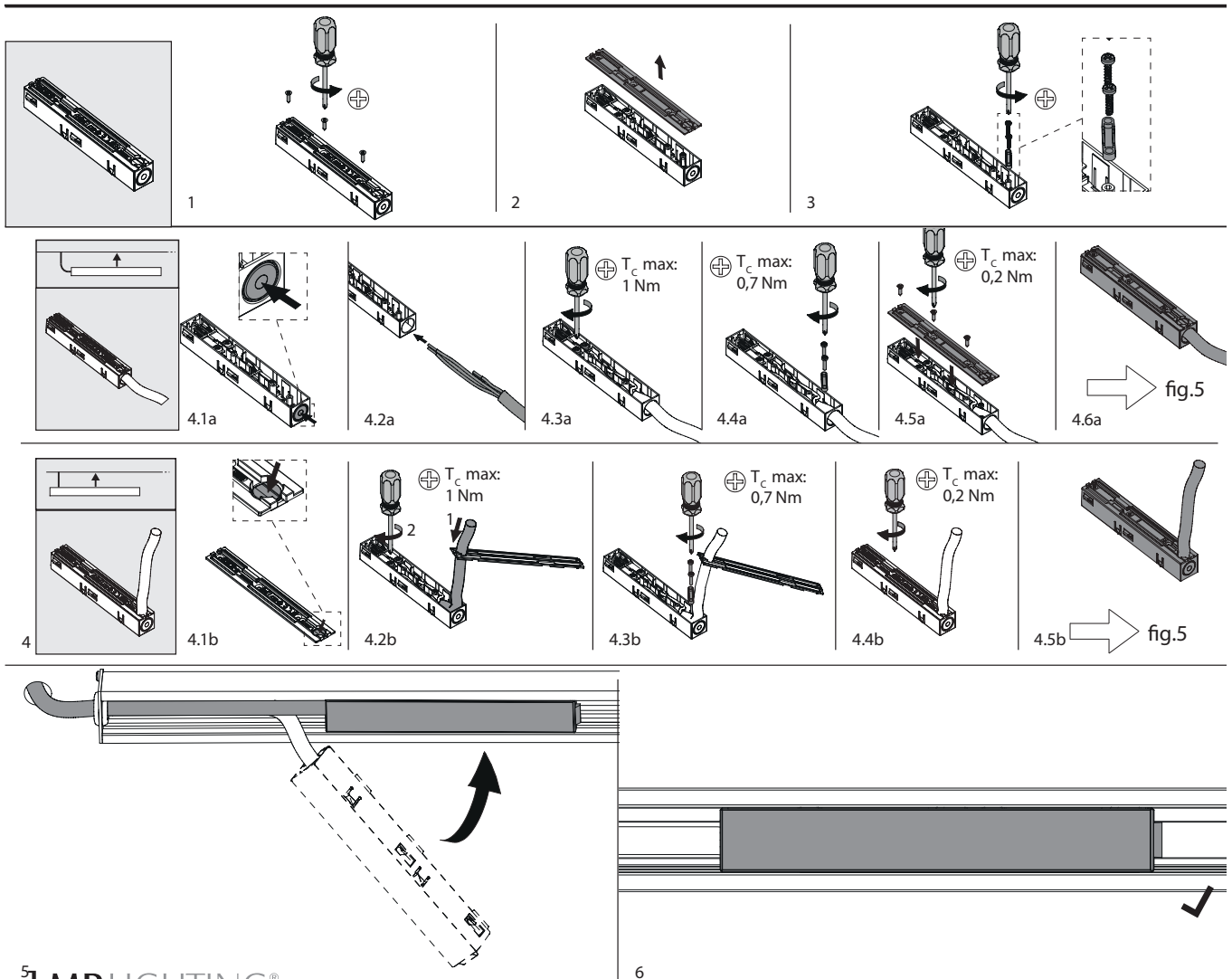
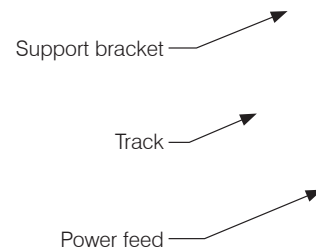
Power Feed

## Parts

- Track
- Power feed
- Support bracket for power feed
- Drill (not supplied)



- 1) Drill Hole through track for power feed. Hole in the support bracket can be used as a guide.
- 2) Make low voltage power connection to remote driver. Powers 1 to 6 8watt fixtures per driver and per power feed.
- 3) Slide support bracket on toe track
- 4) Pull power cable from power feed through new hole in track and hole in support bracket to remote transformer.



# 1CT Recessed

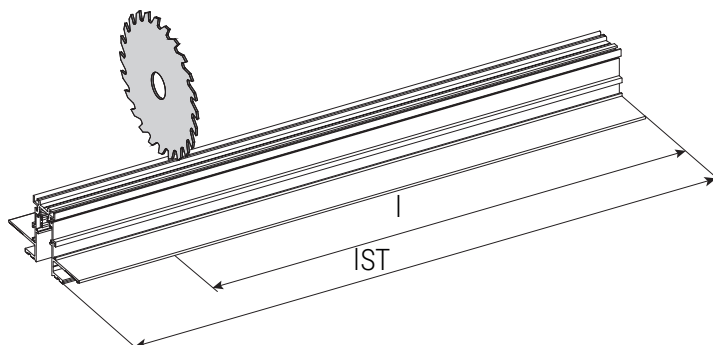
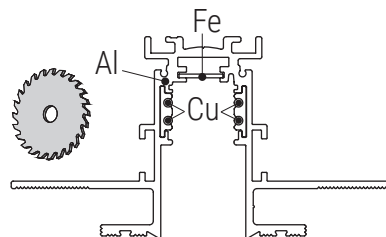
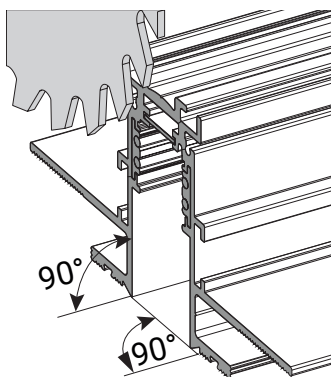
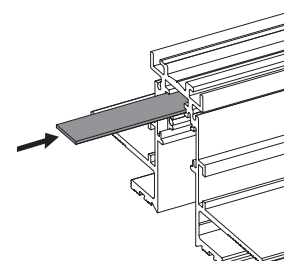
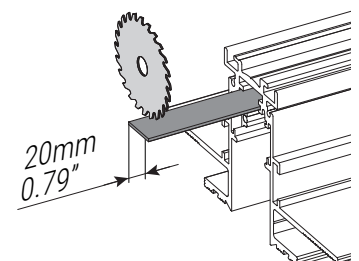
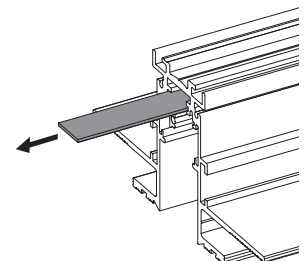
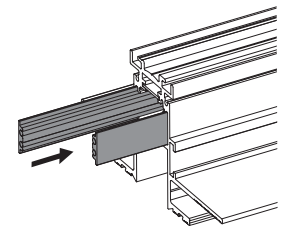
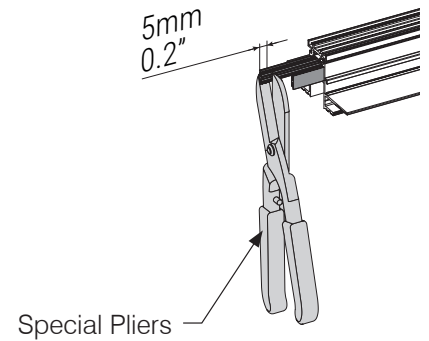
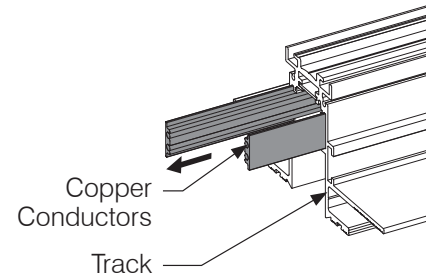
Trim Copper Conductors

## Parts

Track

Special Pliers (S-9000/T)

- 1) Please cut the track to length required. Make sure cut is 90 degrees.
- 2) Tracks are supplied with the copper conductors already recessed at each finish edge, however if the track must be shortened during installation, the copper conductor must be cut to prevent them from coming into contact with one another.
- 3) Slide the copper conductors out of the track.
- 4) Use the special pliers (S-9000/T) to cut back the 2 copper conductors 5mm (0.2"). Make sure to remove both pieces of copper conductor cut.
- 5) Slide the copper conductors back into the track.



[M] MP LIGHTING®

## **IMPORTANT SAFETY INSTRUCTIONS**

KEEP THESE INSTALLATION INSTRUCTIONS

(Including General and Additional Markings for Fixtures)

(FOR MP LIGHTING LED LUMINAIRES, CLASS 3402-xx)

General and additional markings

1. For Use Only with Certified/NRTL Driver, Model \_\_\_\_\_
2. DRY LOCATIONS ONLY or OUTDOOR USE ONLY or DRY/  
OUTDOOR USE ONLY or Outdoor / submersible Use Only - as  
indicated on fixtures
3. MIN 90 C SUPPLY CONDUCTORS
4. Models L01, L03, L04, L05, L06, and L07: SUITABLE FOR USE IN  
POURED CONCRETE, USE ON CLASS 2 CIRCUIT ONLY

Installation instructions

1. The grounding installation shall be done in accordance with  
CEC-Part 1.
2. WARNING: RISK OF FIRE OR ELECTRIC SHOCK: DO NOT  
MAKE OR ALTER ANY OPENINGS IN THE COMPARTMENT  
OF WIRING OR ELECTRICAL COMPONENTS DURING  
INSTALLATION. DO NOT ALTER OR ADD BALLASTS, OR ANY  
OTHER ELECTRICAL COMPONENTS.
3. INSTALLATION AND USE OF THIS FIXTURE MOUNTING  
ASSEMBLY REQUIRES A PERSON FAMILIAR WITH THE  
CONSTRUCTION AND OPERATION OF LUMINAIRE  
ELECTRICAL SYSTEMS AND THE HAZARD INVOLVED, IF NOT  
QUALIFIED, DO NOT ATTEMPT INSTALLATION. CONTACT A  
QUALIFIED ELECTRICIAN.
4. TURN OFF POWER BEFORE INSTALLATION.
5. KEEP THESE INSTALLATION INSTRUCTIONS.

## **CONSIGNES DE SÉCURITÉ IMPORTANTES**

CONSERVER CES INSTRUCTIONS D'INSTALLATION

(Dont le général et marques supplémentaires pour les appareils)

(Pour les luminaires LED MP D'ÉCLAIRAGE , CLASS 3402 -xx )

Général et marquages supplémentaires

1. A utiliser uniquement avec Certified / NRTL pilote, modèle \_\_\_\_\_
2. POUR EMPLACEMENTS SECS SEULEMENT ou UTILISATION  
EXTÉRIEURE SEULEMENT ou SEC / UTILISATION EXTÉRIEURE  
SEULEMENT ou extérieure / Utilisation submersible seulement -  
comme indiqué sur les appareils
3. LES FILS D'ALIMENTATION 90 °C MIN
4. Modèles L01, L03, L04, L05, L06, L07 et: utilisables dans le béton  
coulé, UTILISATION DE CLASSE 2 CIRCUIT UNIQUEMENT

Les instructions d'installation

1. L'installation de mise à la terre doit être fait en conformité avec  
CEC Partie 1.
2. AVERTISSEMENT : RISQUE D'INCENDIE OU  
D'ÉLECTROCUTION : NE PAS FAIRE OU MODIFIER DES  
OUVERTURES DANS LE COMPARTIMENT DE CÂBLAGE OU  
DE COMPOSANTS ÉLECTRIQUES LORS DE L'INSTALLATION.  
NE PAS MODIFIER OU AJOUTER DES BALLASTS, OU AUTRES  
COMPOSANTS ÉLECTRIQUES
3. CE PRODUIT DOIT ÊTRE INSTALLÉ SELON LE CODE  
D'INSTALLATION PERTINENT, PAR UNE PERSONNE QUI  
CONNAÎT BIEN LE PRODUIT ET SON FONCTIONNEMENT  
AINSI QUE LES RISQUES INHÉRENTS. CONSULTER UN  
ÉLECTRICIEN QUALIFIÉ.
4. COUPER LE COURANT AVANT L'INSTALLATION.
5. CONSERVEZ CES INSTRUCTIONS.