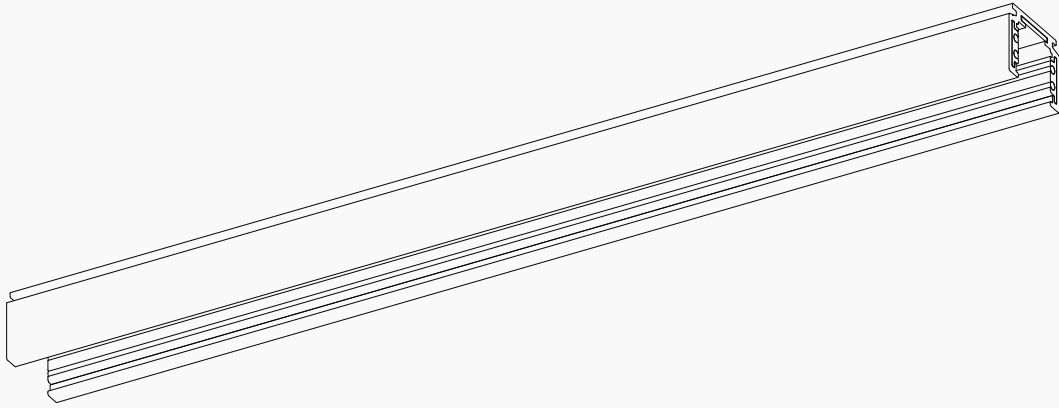


1CT Surface

Surface Mount One Circuit Track



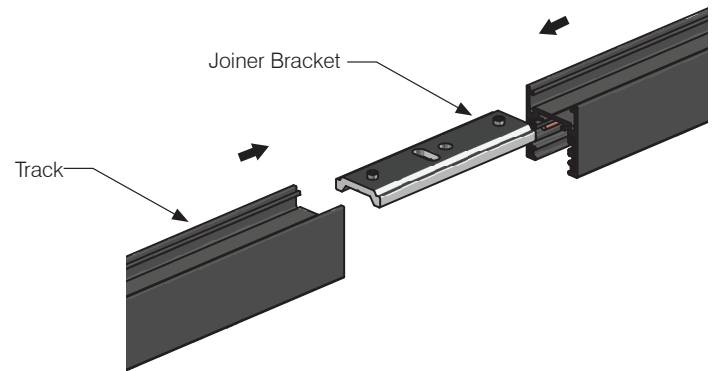
1CT Surface

Bracket Joiner

Parts

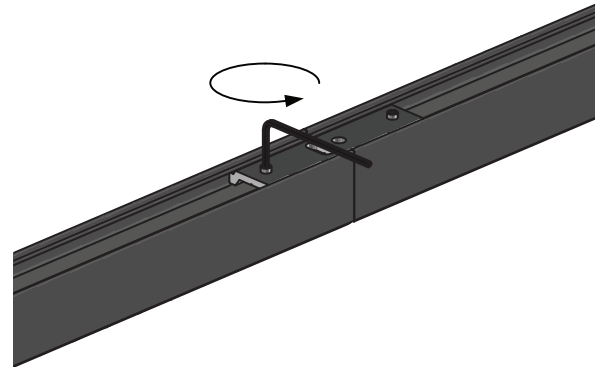
Tracks

Joiner Bracket



1) Insert joiner bracket into the connecting track.

2) Secure the joiner bracket by tightening the screws.



1CT Surface

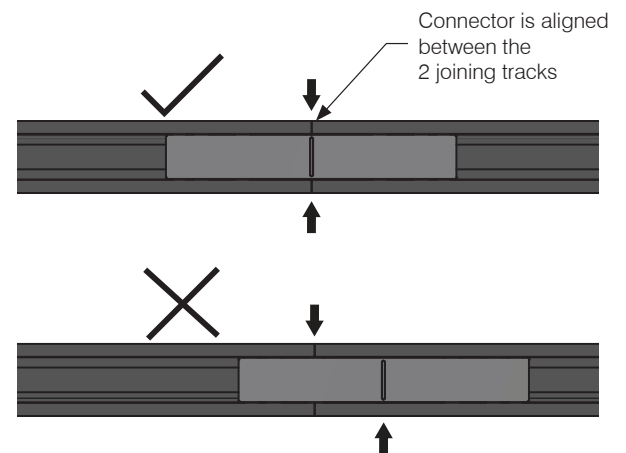
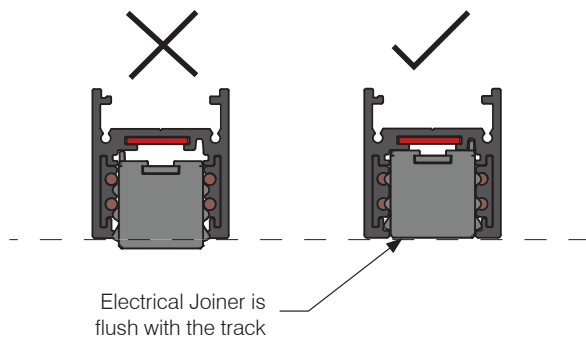
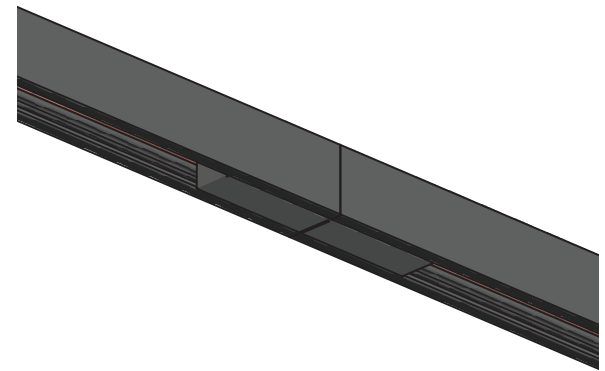
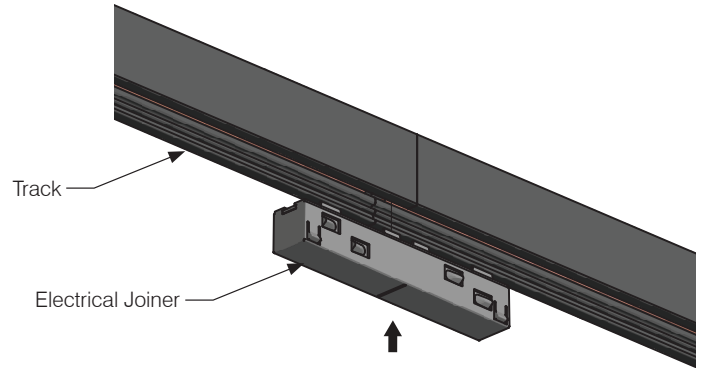
Electrical and Isolated Connector

Parts

Tracks

Connector (Electrical or Isolated)

- 1) Ensure the joiner inserts into the track in the correct orientation. The joiner must be completely flushed with the track. The key on the joiner must not interfere in the track.
- 2) The center of the joiner must lie directly between the two tracks.



1CT Surface

Ceiling Clamp

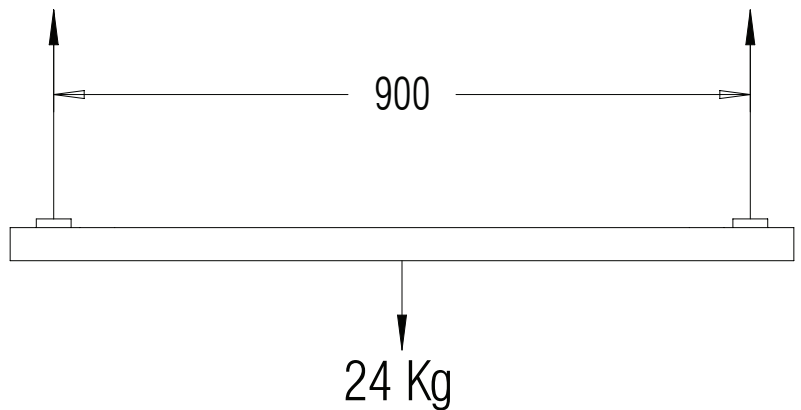
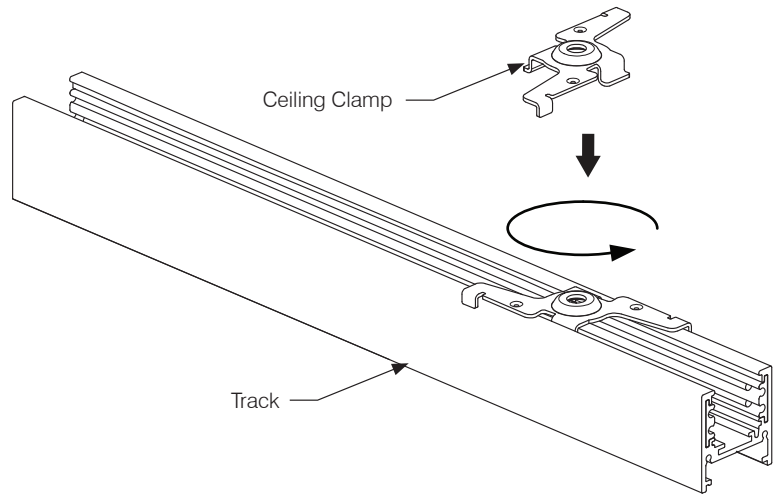
Parts

Track
Ceiling Clamp

- 1) Place Ceiling Clamps every 3 feet.
- 2) Mark the center of each clamp on the track centerline. Next drill holes into ceiling at each clamps center.

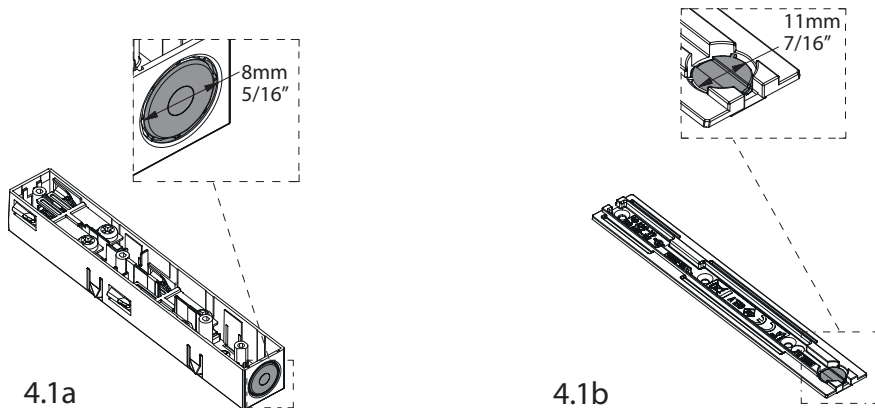
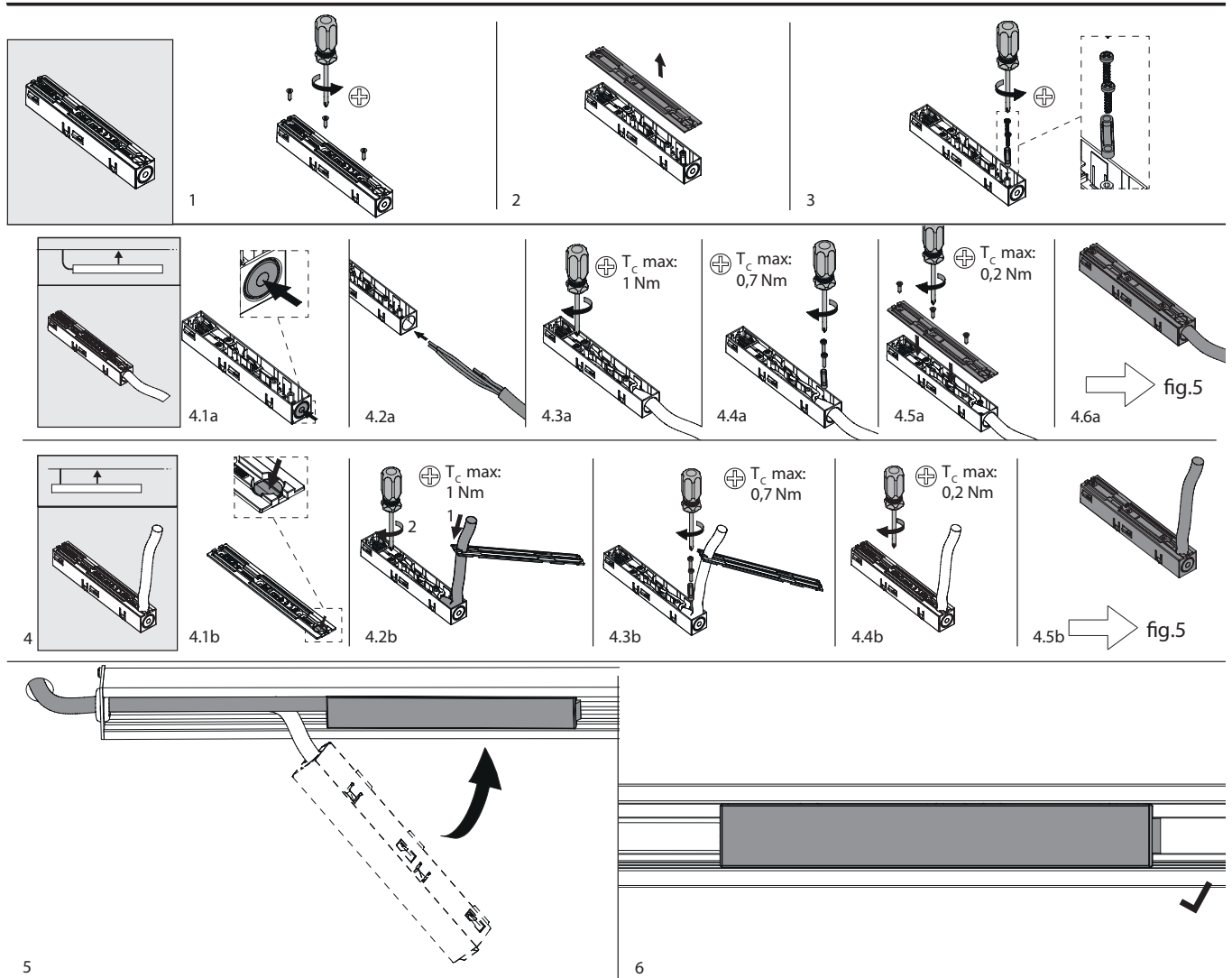
Note: To ensure proper support, it is recommended to use a wall anchor when mounting to dry wall or sheet rock. A plastic or lead anchor is recommended when mounting to concrete.

- 3) Push track into clamp and twist until track snaps into place.
- 4) Do not exceed the maximum loads specified 24 kg per when supports are 3' (900 mm) apart. Installing the fitting in false ceilings, comply with the maximum load-bearing capacity of the relevant structure



1CT Surface

Power Feed



1CT Surface

Power Feed

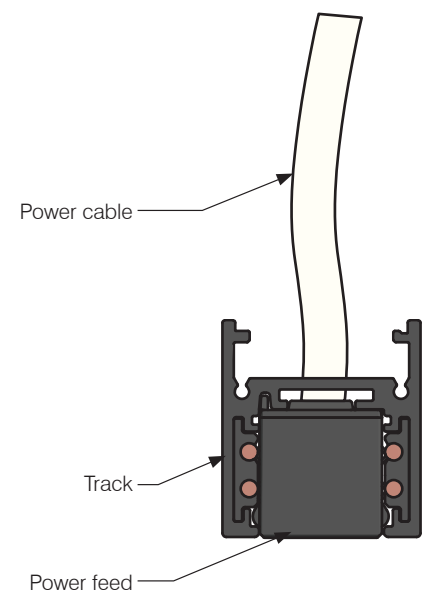
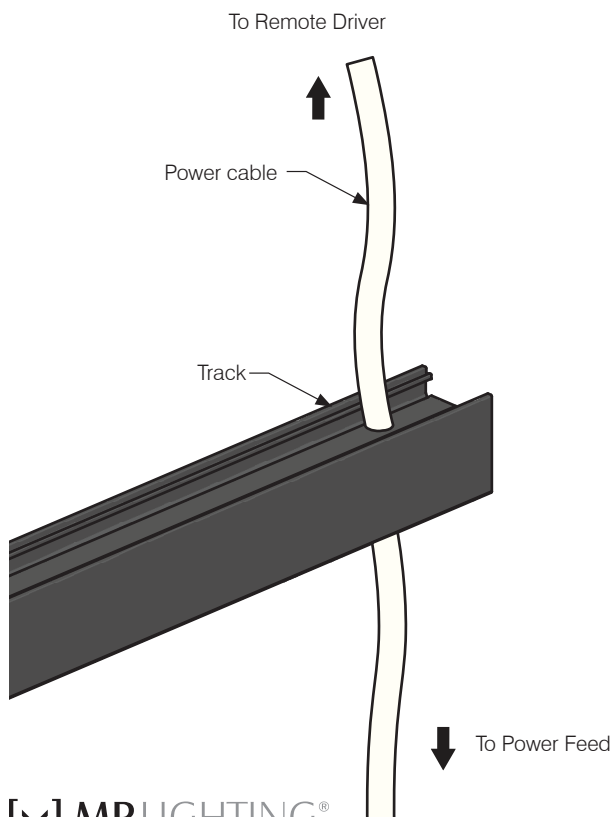
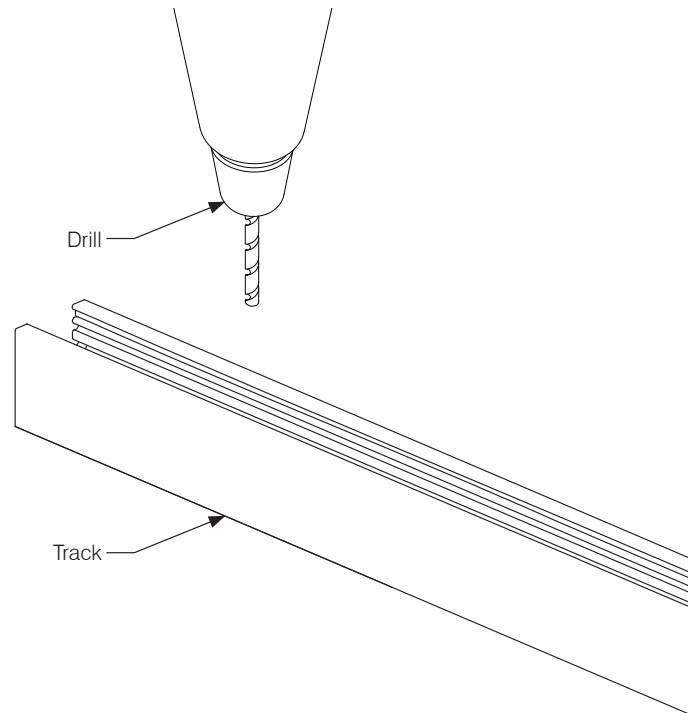
Parts

Track

Power feed

Drill (not supplied)

- 1) Drill a hole to fit the power feed cable, approximate size $\text{Ø}3/8''$ ($\text{Ø}10$ mm). Hole should be positioned approximately $11/16''$ (18 mm) from the end of the rail.
- 2) Make low voltage power connection to remote driver.
- 3) Pull power cable from power feed through new hole in track and hole in support bracket to remote transformer.



[✓] MP LIGHTING®

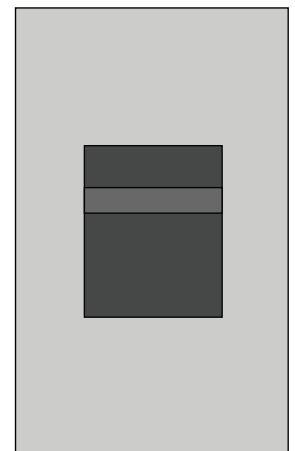
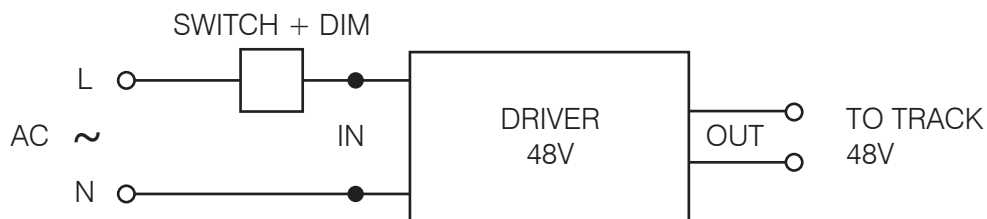
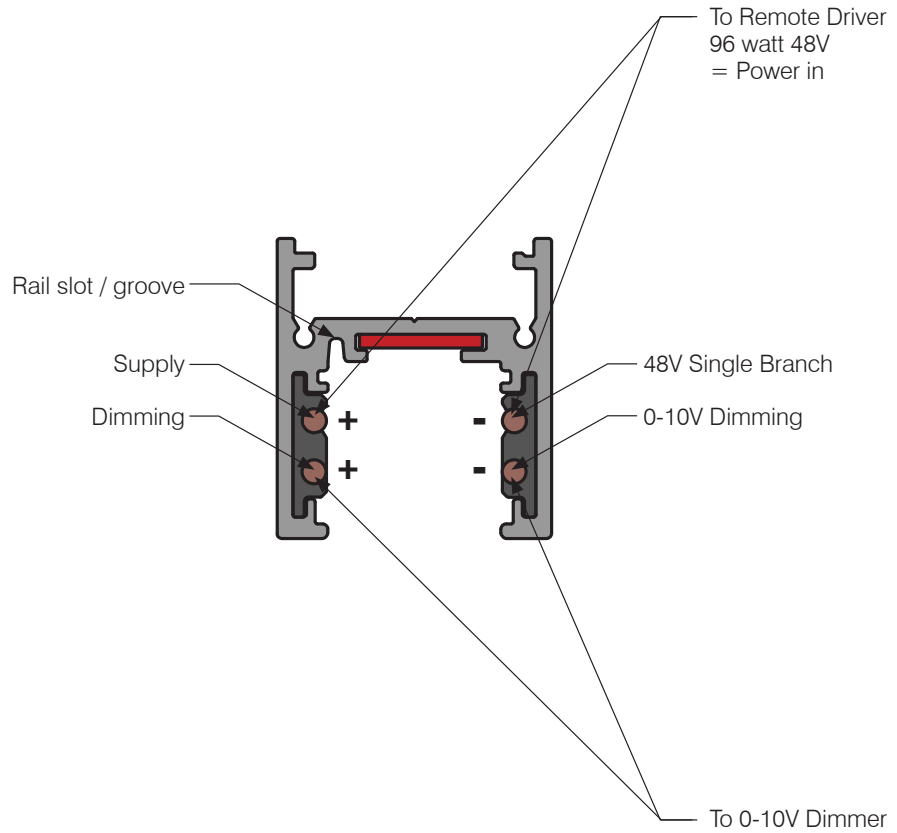
www.mplighting.com t 1.877.708.1184 f 604.708.1185

All technical information in this document is subject to change. Copyright © MP Lighting.

11-2024

1CT Surface

Power to Remote Driver & Dimmer
48V Only



1CT Surface

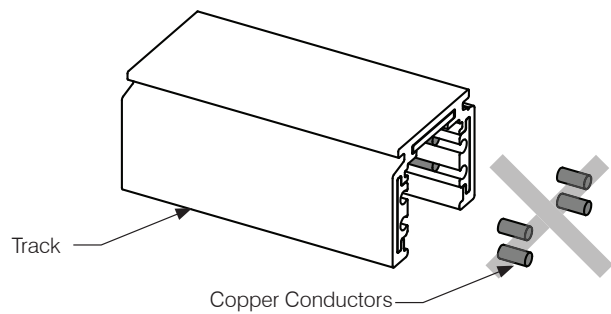
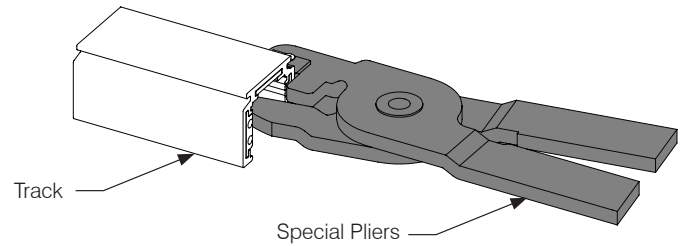
Trim Copper Conductors

Parts

Track

Special Pliers (S-9000/T)

- 1) Please cut the track to length required.
- 2) Tracks are supplied with the copper conductors already recessed at each finish edge, however if the track must be shortened during installation, the copper conductor must be cut to prevent them from coming into contact with one another.
- 3) Use the special pliers (S-9000/T) to cut back the 4 copper conductors of the track. Make sure to remove the 4 pieces of copper conductor cut.



IMPORTANT SAFETY INSTRUCTIONS

KEEP THESE INSTALLATION INSTRUCTIONS

(Including General and Additional Markings for Fixtures)

(FOR MP LIGHTING LED LUMINAIRES, CLASS 3402-xx)

General and additional markings

1. For Use Only with Certified/NRTL Driver, Model _____
2. DRY LOCATIONS ONLY or OUTDOOR USE ONLY or DRY/
OUTDOOR USE ONLY or Outdoor / submersible Use Only - as
indicated on fixtures
3. MIN 90 C SUPPLY CONDUCTORS
4. Models L01, L03, L04, L05, L06, and L07: SUITABLE FOR USE IN
POURED CONCRETE, USE ON CLASS 2 CIRCUIT ONLY

Installation instructions

1. The grounding installation shall be done in accordance with
CEC-Part 1.
2. WARNING: RISK OF FIRE OR ELECTRIC SHOCK: DO NOT
MAKE OR ALTER ANY OPENINGS IN THE COMPARTMENT
OF WIRING OR ELECTRICAL COMPONENTS DURING
INSTALLATION. DO NOT ALTER OR ADD BALLASTS, OR ANY
OTHER ELECTRICAL COMPONENTS.
3. INSTALLATION AND USE OF THIS FIXTURE MOUNTING
ASSEMBLY REQUIRES A PERSON FAMILIAR WITH THE
CONSTRUCTION AND OPERATION OF LUMINAIRE
ELECTRICAL SYSTEMS AND THE HAZARD INVOLVED, IF NOT
QUALIFIED, DO NOT ATTEMPT INSTALLATION. CONTACT A
QUALIFIED ELECTRICIAN.
4. TURN OFF POWER BEFORE INSTALLATION.
5. KEEP THESE INSTALLATION INSTRUCTIONS.

CONSIGNES DE SÉCURITÉ IMPORTANTES

CONSERVER CES INSTRUCTIONS D'INSTALLATION

(Dont le général et marques supplémentaires pour les appareils)

(Pour les luminaires LED MP D'ÉCLAIRAGE , CLASS 3402 -xx)

Général et marquages supplémentaires

1. A utiliser uniquement avec Certified / NRTL pilote, modèle _____
2. POUR EMPLACEMENTS SECS SEULEMENT ou UTILISATION
EXTÉRIEURE SEULEMENT ou SEC / UTILISATION EXTÉRIEURE
SEULEMENT ou extérieure / Utilisation submersible seulement -
comme indiqué sur les appareils
3. LES FILS D'ALIMENTATION 90 °C MIN
4. Modèles L01, L03, L04, L05, L06, L07 et: utilisables dans le béton
coulé, UTILISATION DE CLASSE 2 CIRCUIT UNIQUEMENT

Les instructions d'installation

1. L'installation de mise à la terre doit être fait en conformité avec
CEC Partie 1.
2. AVERTISSEMENT : RISQUE D'INCENDIE OU
D'ÉLECTROCUTION : NE PAS FAIRE OU MODIFIER DES
OUVERTURES DANS LE COMPARTIMENT DE CÂBLAGE OU
DE COMPOSANTS ÉLECTRIQUES LORS DE L'INSTALLATION.
NE PAS MODIFIER OU AJOUTER DES BALLASTS, OU AUTRES
COMPOSANTS ÉLECTRIQUES
3. CE PRODUIT DOIT ÊTRE INSTALLÉ SELON LE CODE
D'INSTALLATION PERTINENT, PAR UNE PERSONNE QUI
CONNAÎT BIEN LE PRODUIT ET SON FONCTIONNEMENT
AINSI QUE LES RISQUES INHÉRENTS. CONSULTER UN
ÉLECTRICIEN QUALIFIÉ.
4. COUPER LE COURANT AVANT L'INSTALLATION.
5. CONSERVEZ CES INSTRUCTIONS.