

CPY012

INTERIOR

Single Rail System | Double power canopy

- Dry location



Ordering Information

Clear Form

Date : _____

Project : _____

Type : _____

Quantity : _____

Note : _____

Specifications

Double power canopy | Example Code: CPY012-4-MC

Product	Offset	Finish ¹
CPY012	4 4" (102mm)	MC matte chrome
	7 7" (178mm)	BN brushed nickel
	X custom	

Important Notes

Specification

1. Refer to Appendix or MP Lighting website for track system with different finish options.

Application

Environment	Dry Location approved. IP 20.
Mounting	For Single Rail System Mounting. Used with 2 remote transformers to power 2 sections of the system. A JON001-I joiner must be used between the 2 feeds to isolate and join the rails. Mounts to standard J-Box. Stem <i>cannot</i> be used as a support.
Compatible Fixtures	P02, P11, X01, X06, X31.

Electrical

Electrical	N/A
------------	-----

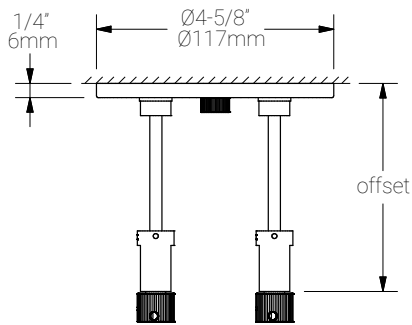
Construction

Weight	N/A
Material	Brass with electroplated finish.

Mounting Options & Dimensions

Dimensions

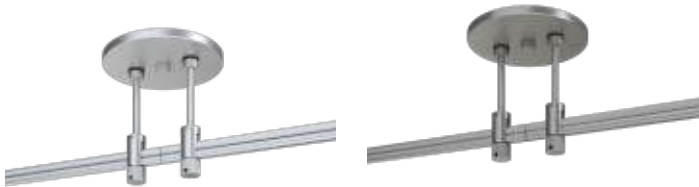
Front View



3D View



Appendix



MC matte chrome

BN brushed nickel