

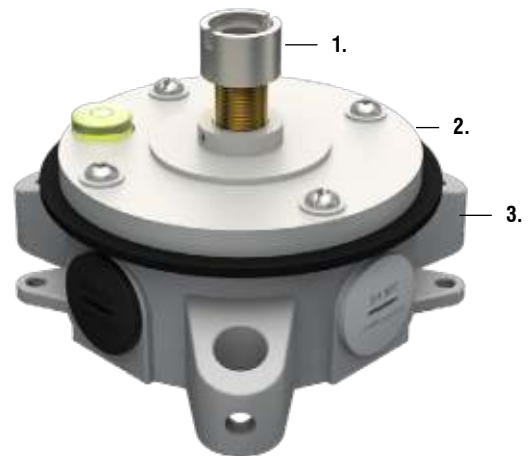
EBX-OCT1-A

OCT1 (Octagonal Aluminum Back Box) with A flange
 In-grade : For ground, ceilings, walls, and stairs

• Wet, Damp, and Dry location

Components:

- 1. 3/8 IPS Threaded Pipe - Stainless Steel 316 & Brass
- 2. Base Plate - Aluminum
- 3. Box - Die-cast Aluminum

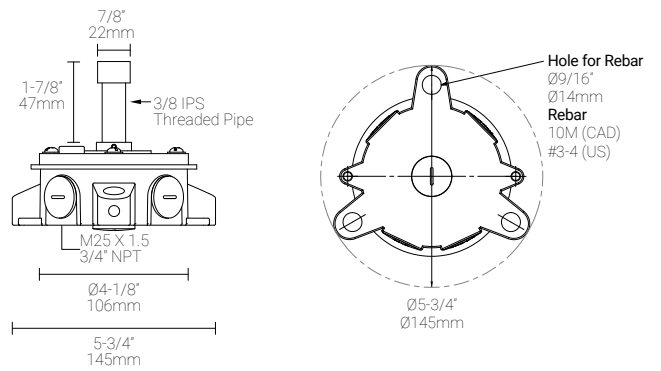


Flange Options & Dimensions

Aluminum Back Box with Standard Flange



EBX-OCT1-A3S6



Compatible Fixtures



Regular Beam



L06 •