





Back Box | Flange A

Designed to set up and hold luminaires in place to prepare for concrete pour and paving stone installation, the back box can be cast into earth, gravel, or concrete.

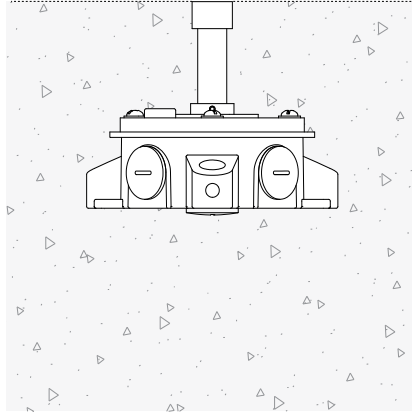
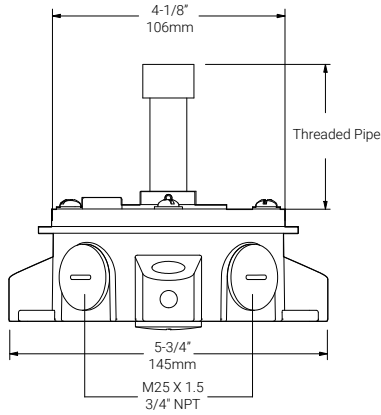
pg. 3 EBX-OCT1-AS6 (compatible with L06)

EBX-OCT1-AS6

Insert Diameter: 1-5/8" (41mm) | S6 – stainless steel 316

In-grade | For concrete pour and paving stone installation

Concrete Pour Installation Drawing



Concrete Pour Installation with EBX-OCT1-AS6



Compatible Fixtures



L06