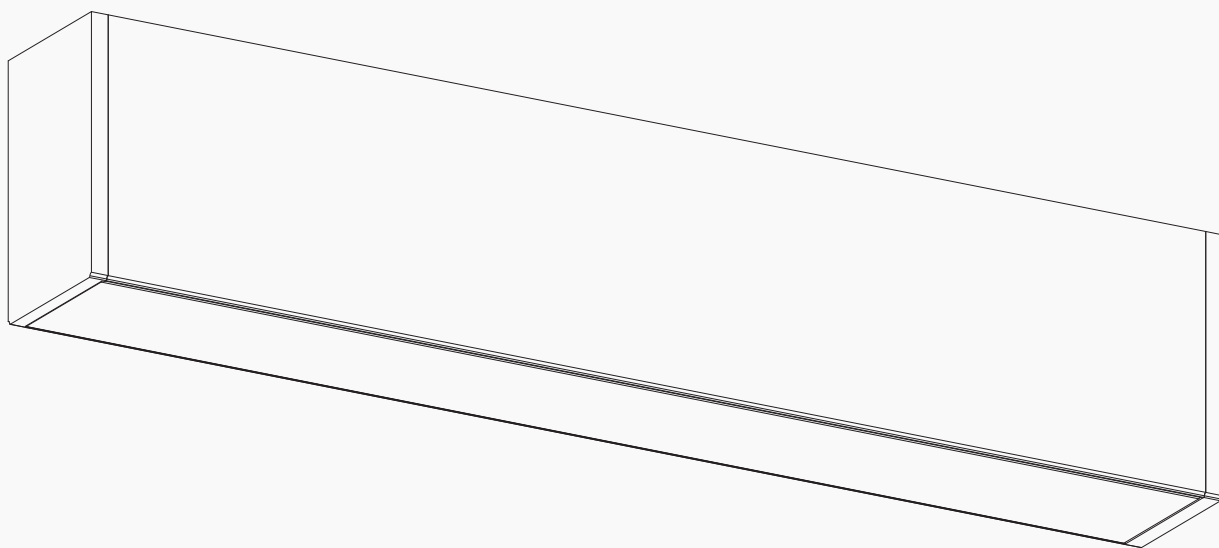


L122

Linear LED



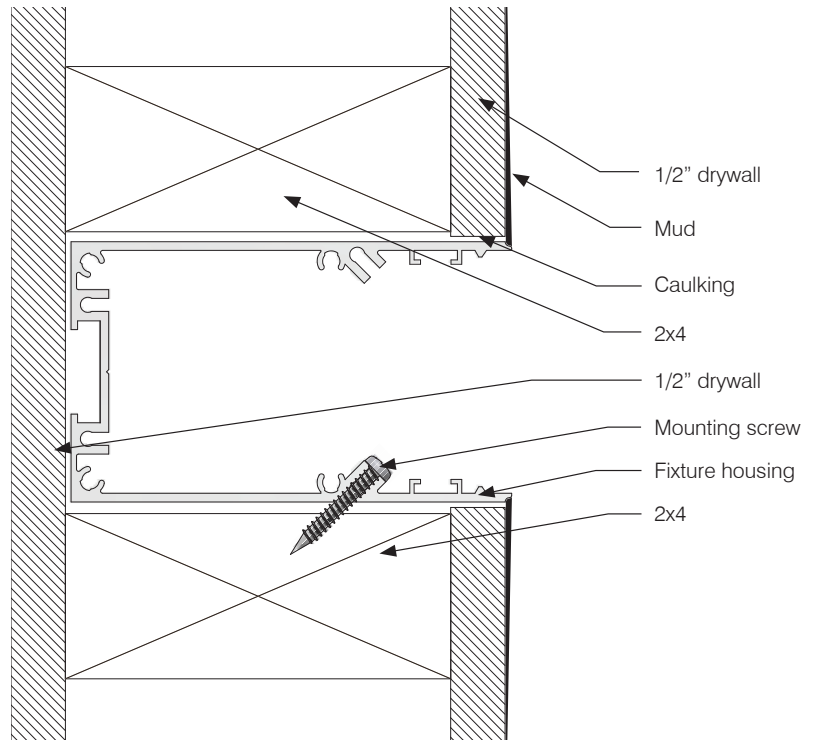
L122

Recessed Wall Mount with 1/2" drywall

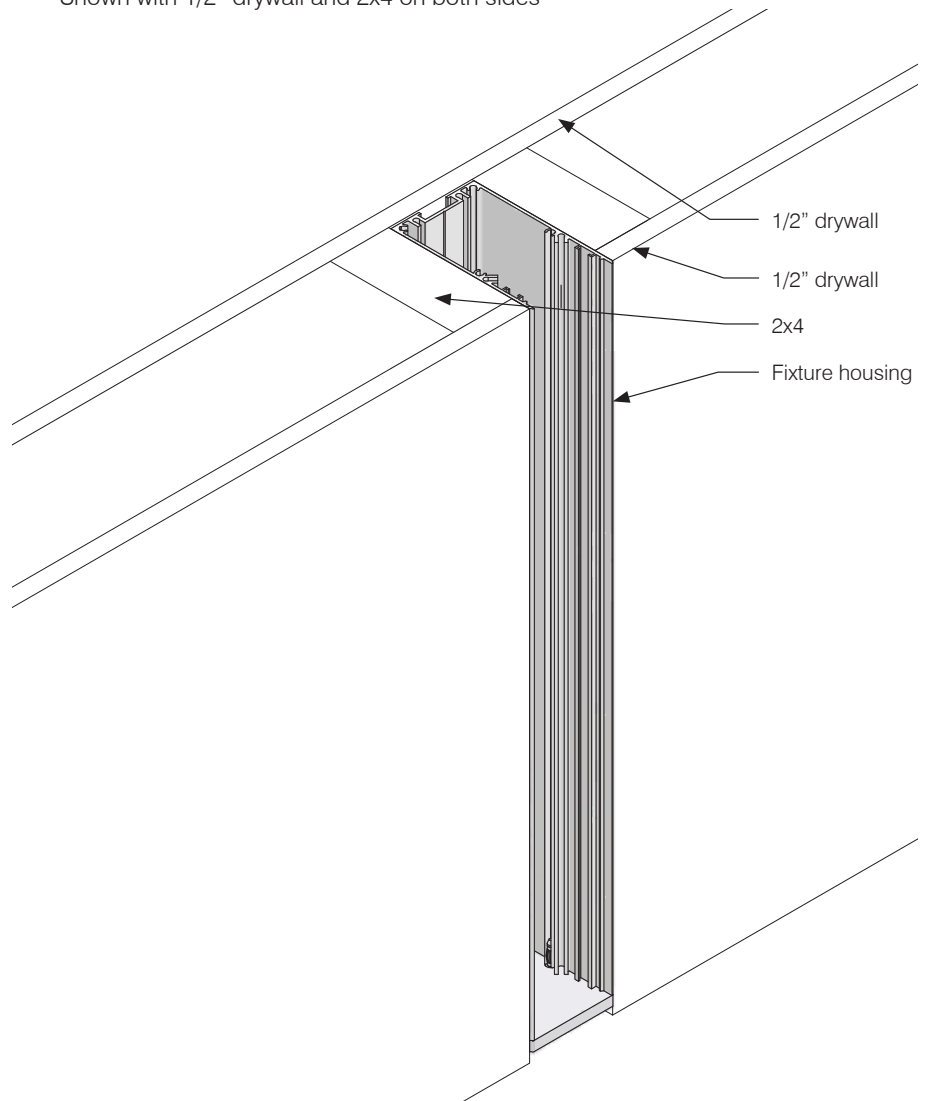
Parts

LED fixture Housing
2 x Wire Connectors
Mounting screws (supplied by others)

- 1) Turn off power prior to installation.
- 2) Drill 7/8" hole in fixture housing in appropriate location for the power feed.
- 3) Mount fixture housing by screwing housing to framing or support, using the screw-ports on the side of the fixture (screws provided by others). Place screws approximately 2" from housing ends and evenly spaced to a maximum of 2' apart. Ensure fixture is level.
- 4) Install drywall, butt up to edges of housing
- 5) Install mudding tape to cover the gap, ensuring tape does not overlap inside of the fixture housing.
- 6) Apply layers mud / joint compound over the tape and gap with a drywall knife. Ensure no mudding dries on inside of the housing.



Shown with 1/2" drywall and 2x4 on both sides



L122

Recessed Wall Mount with 5/8" drywall

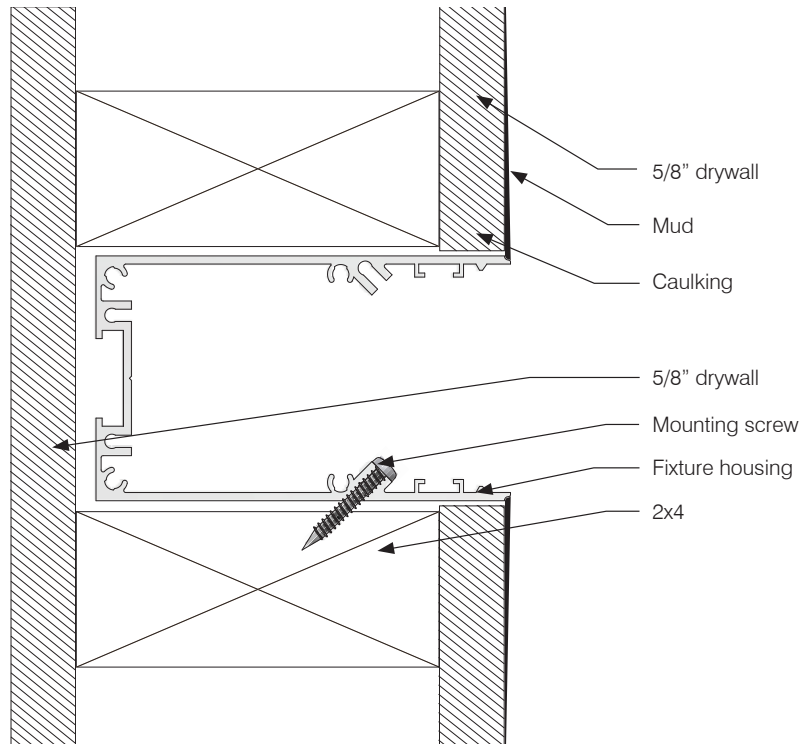
Parts

LED fixture Housing

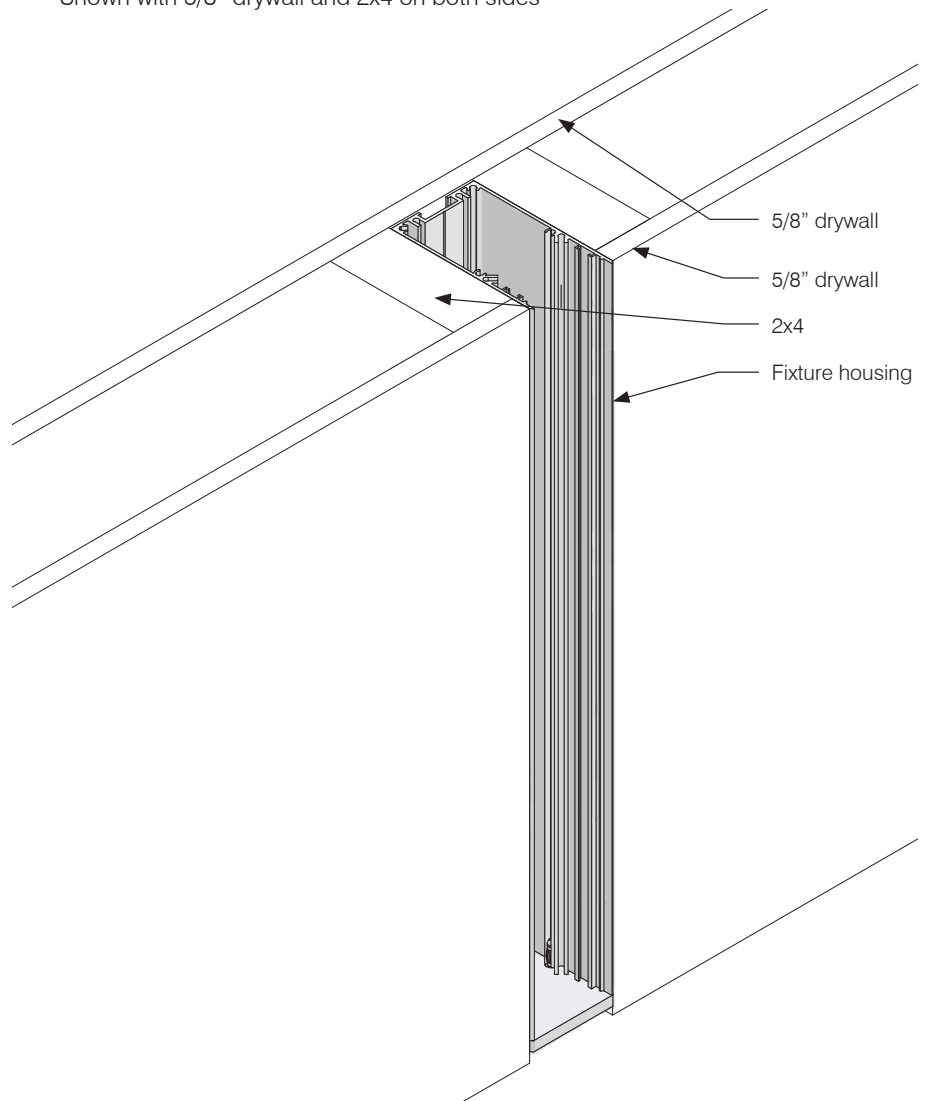
2 x Wire Connectors

Mounting screws (supplied by others)

- 1) Turn off power prior to installation.
- 2) Drill 7/8" hole in fixture housing in appropriate location for the power feed.
- 3) Mount fixture housing by screwing housing to framing or support, using the screw-ports on the side of the fixture (screws provided by others). Place screws approximately 2" from housing ends and evenly spaced to a maximum of 2' apart. Ensure fixture is level.
- 4) Install drywall, butt up to edges of housing
- 5) Install mudding tape to cover the gap, ensuring tape does not overlap inside of the fixture housing.
- 6) Apply layers mud / joint compound over the tape and gap with a drywall knife. Ensure no mudding dries on inside of the housing.



Shown with 5/8" drywall and 2x4 on both sides



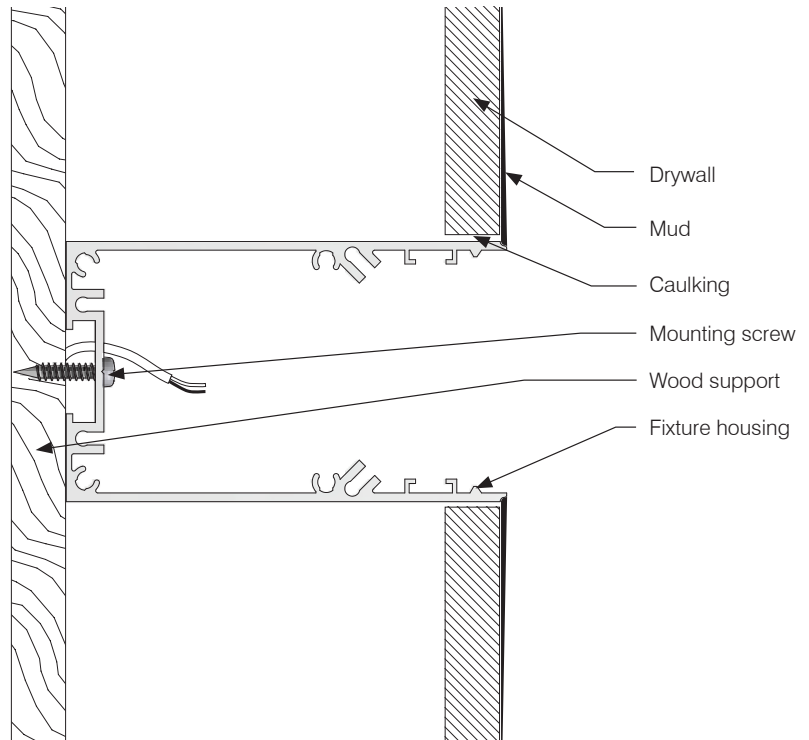
L122

Recessed Wall Mount

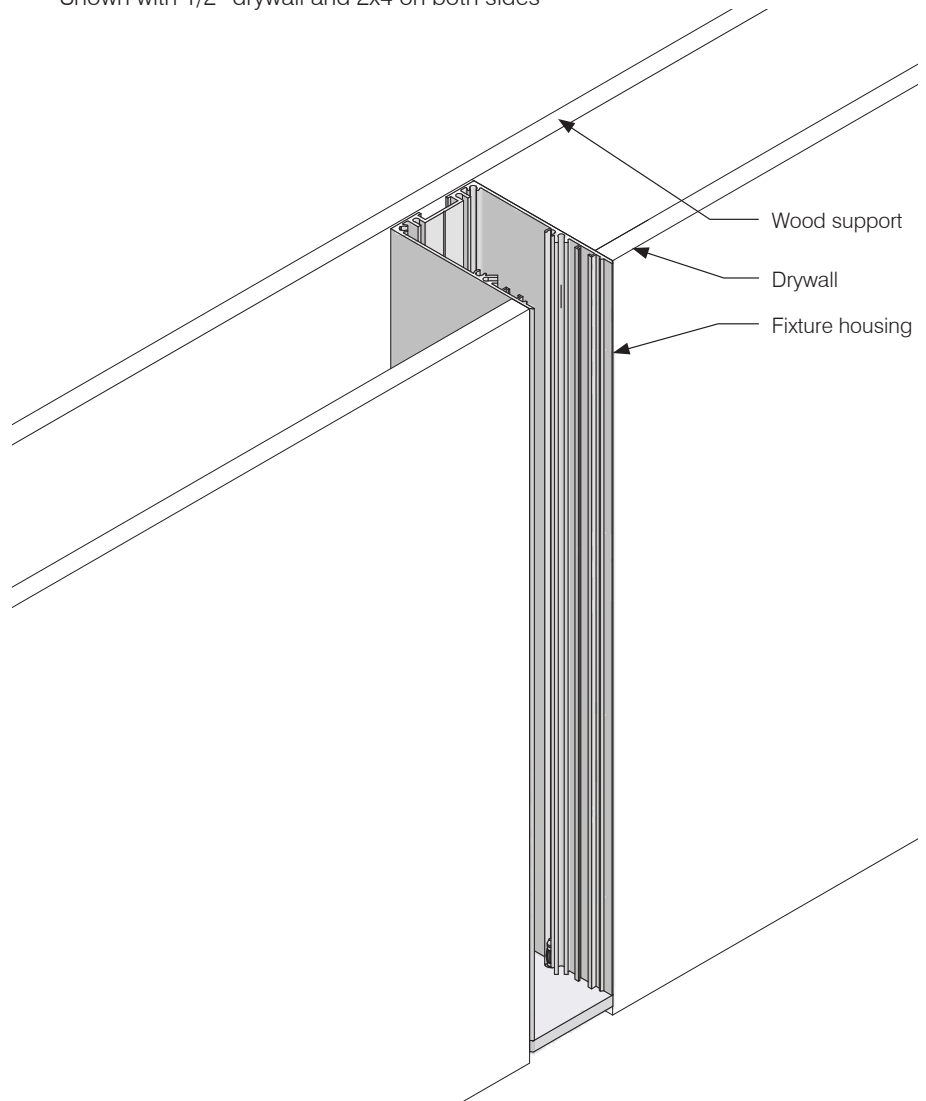
Parts

LED fixture Housing
2 x Wire Connectors
Mounting screws (supplied by others)

- 1) Turn off power prior to installation.
- 2) Drill 7/8" hole in fixture housing in appropriate location for the power feed.
- 3) Mount fixture housing by screwing housing to framing or support (screws provided by others). Place screws approximately 2" from housing ends and evenly spaced to a maximum of 2' apart. Ensure fixture is level.
- 4) Install drywall, butt up to edges of housing
- 5) Install mudding tape to cover the gap, ensuring tape does not overlap inside of the fixture housing.
- 6) Apply layers mud / joint compound over the tape and gap with a drywall knife. Ensure no mudding dries on inside of the housing.



Shown with 1/2" drywall and 2x4 on both sides



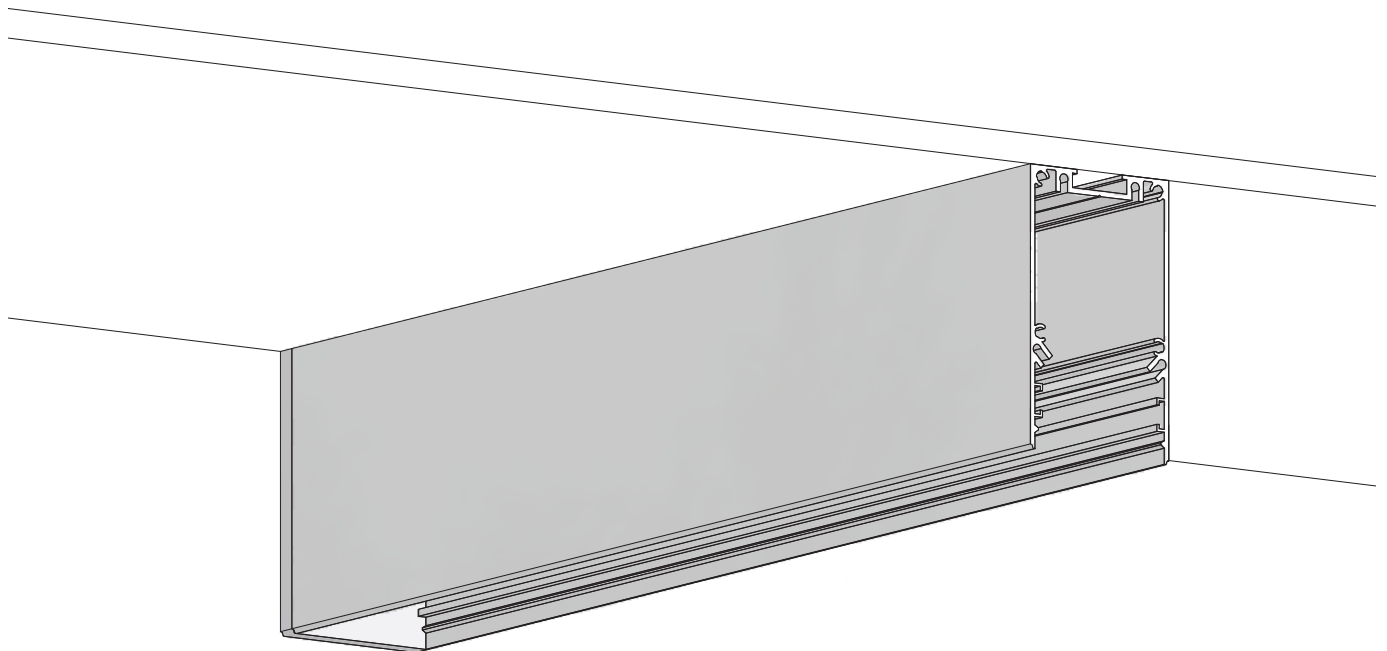
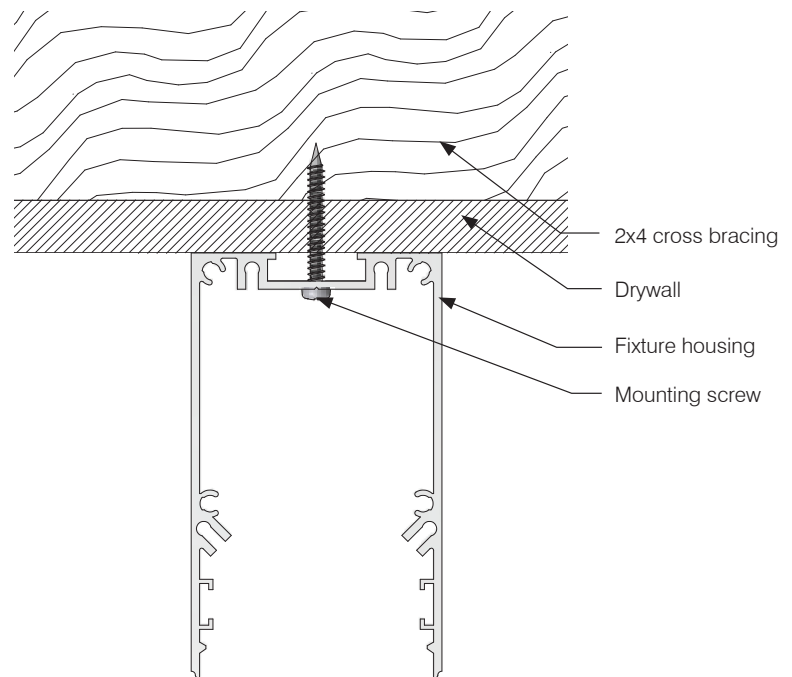
L122

Surface Mount

Parts

LED fixture Housing
2 x Wire Connectors
Mounting screws (supplied by others)

- 1) Turn off power prior to installation.
- 2) Drill 7/8" hole in fixture housing in appropriate location for the power feed.
- 3) Mount fixture housing by screwing housing to additional support behind drywall (screws provided by others). Place screws approximately 2" from housing ends and evenly spaced to a maximum of 2' apart. Ensure fixture is level.



L122

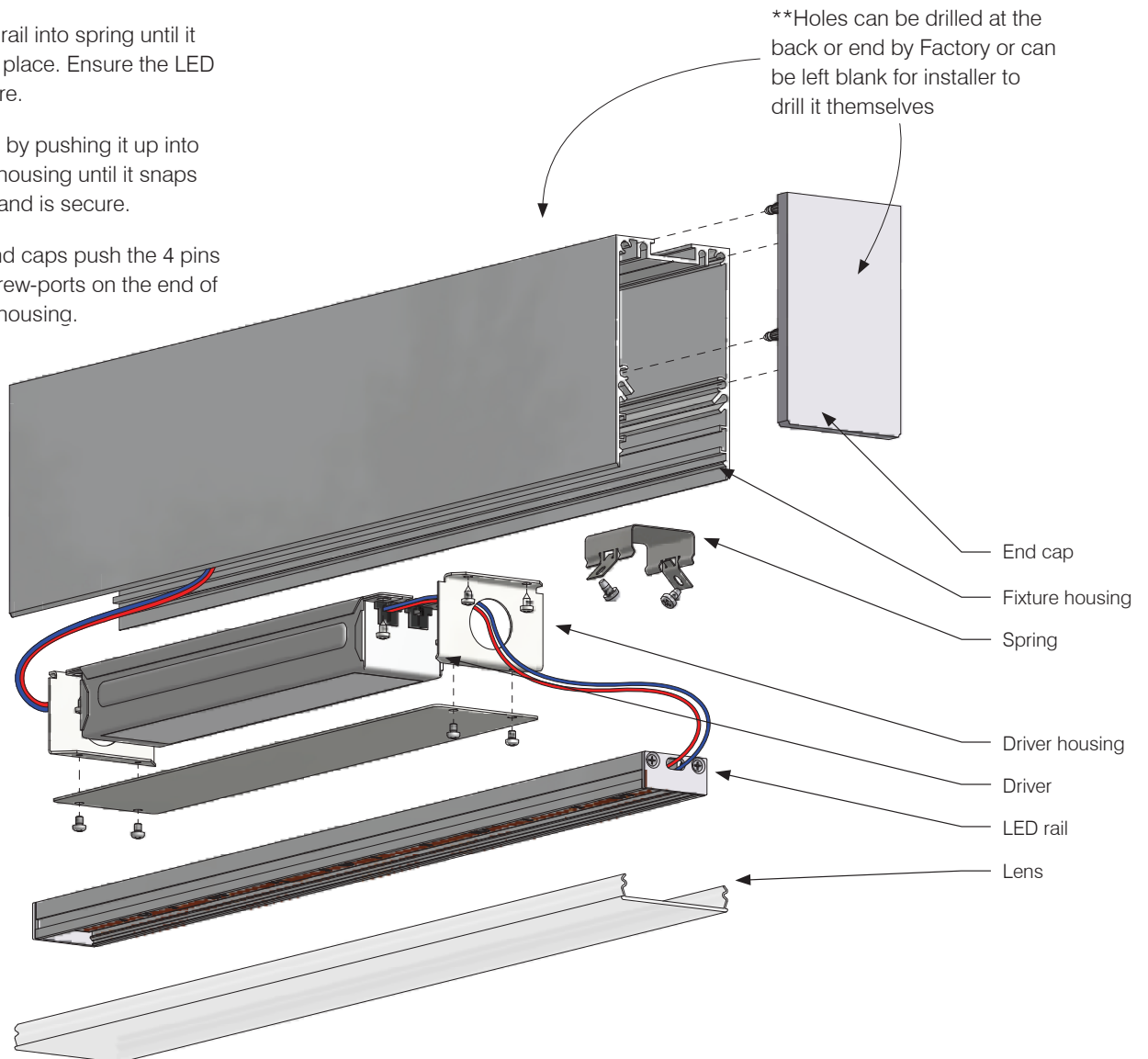
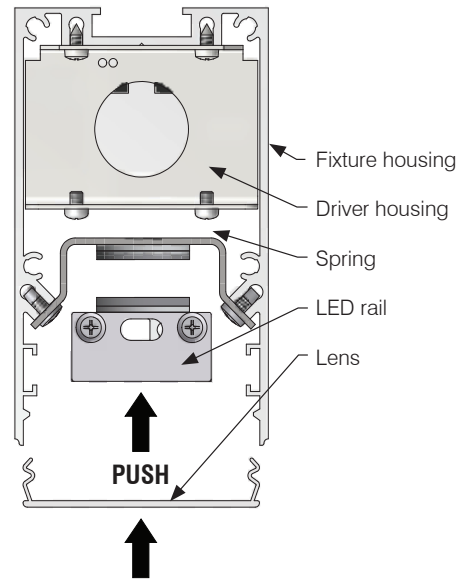
Fixture Assembly

Parts

LED fixture Housing
2 x End Caps
Lens
LED rail
Springs
Driver & driver housing

- 1) Make power connection to driver wires. Secure driver and driver housing to fixture housing.
- 2) Mount springs into screw ports on fixture housing, placing springs evenly.
- 3) Push LED rail into spring until it snaps into place. Ensure the LED rail is secure.
- 4) Install lens by pushing it up into the fixture housing until it snaps into place and is secure.

*To attach end caps push the 4 pins into the screw-ports on the end of the fixture housing.



IMPORTANT SAFETY INSTRUCTIONS

KEEP THESE INSTALLATION INSTRUCTIONS

(Including General and Additional Markings for Fixtures)

(FOR MP LIGHTING LED LUMINAIRES, CLASS 3402-xx)

General and additional markings

1. For Use Only with Certified/NRTL Driver, Model _____
2. DRY LOCATIONS ONLY or OUTDOOR USE ONLY or DRY/
OUTDOOR USE ONLY or Outdoor / submersible Use Only - as
indicated on fixtures
3. MIN 90 C SUPPLY CONDUCTORS
4. Models L01, L03, L04, L05, L06, and L07: SUITABLE FOR USE IN
POURED CONCRETE, USE ON CLASS 2 CIRCUIT ONLY

Installation instructions

1. The grounding installation shall be done in accordance with
CEC-Part 1.
2. WARNING: RISK OF FIRE OR ELECTRIC SHOCK: DO NOT
MAKE OR ALTER ANY OPENINGS IN THE COMPARTMENT
OF WIRING OR ELECTRICAL COMPONENTS DURING
INSTALLATION. DO NOT ALTER OR ADD BALLASTS, OR ANY
OTHER ELECTRICAL COMPONENTS.
3. INSTALLATION AND USE OF THIS FIXTURE MOUNTING
ASSEMBLY REQUIRES A PERSON FAMILIAR WITH THE
CONSTRUCTION AND OPERATION OF LUMINAIRE
ELECTRICAL SYSTEMS AND THE HAZARD INVOLVED, IF NOT
QUALIFIED, DO NOT ATTEMPT INSTALLATION. CONTACT A
QUALIFIED ELECTRICIAN.
4. TURN OFF POWER BEFORE INSTALLATION.
5. KEEP THESE INSTALLATION INSTRUCTIONS.

CONSIGNES DE SÉCURITÉ IMPORTANTES

CONSERVER CES INSTRUCTIONS D'INSTALLATION

(Dont le général et marques supplémentaires pour les appareils)

(Pour les luminaires LED MP D'ÉCLAIRAGE , CLASS 3402 -xx)

Général et marquages supplémentaires

1. A utiliser uniquement avec Certified / NRTL pilote, modèle _____
2. POUR EMPLACEMENTS SECS SEULEMENT ou UTILISATION
EXTÉRIEURE SEULEMENT ou SEC / UTILISATION EXTÉRIEURE
SEULEMENT ou extérieure / Utilisation submersible seulement -
comme indiqué sur les appareils
3. LES FILS D'ALIMENTATION 90 °C MIN
4. Modèles L01, L03, L04, L05, L06, L07 et: utilisables dans le béton
coulé, UTILISATION DE CLASSE 2 CIRCUIT UNIQUEMENT

Les instructions d'installation

1. L'installation de mise à la terre doit être fait en conformité avec
CEC Partie 1.
2. AVERTISSEMENT : RISQUE D'INCENDIE OU
D'ÉLECTROCUTION : NE PAS FAIRE OU MODIFIER DES
OUVERTURES DANS LE COMPARTIMENT DE CÂBLAGE OU
DE COMPOSANTS ÉLECTRIQUES LORS DE L'INSTALLATION.
NE PAS MODIFIER OU AJOUTER DES BALLASTS, OU AUTRES
COMPOSANTS ÉLECTRIQUES
3. CE PRODUIT DOIT ÊTRE INSTALLÉ SELON LE CODE
D'INSTALLATION PERTINENT, PAR UNE PERSONNE QUI
CONNAÎT BIEN LE PRODUIT ET SON FONCTIONNEMENT
AINSI QUE LES RISQUES INHÉRENTS. CONSULTER UN
ÉLECTRICIEN QUALIFIÉ.
4. COUPER LE COURANT AVANT L'INSTALLATION.
5. CONSERVEZ CES INSTRUCTIONS.