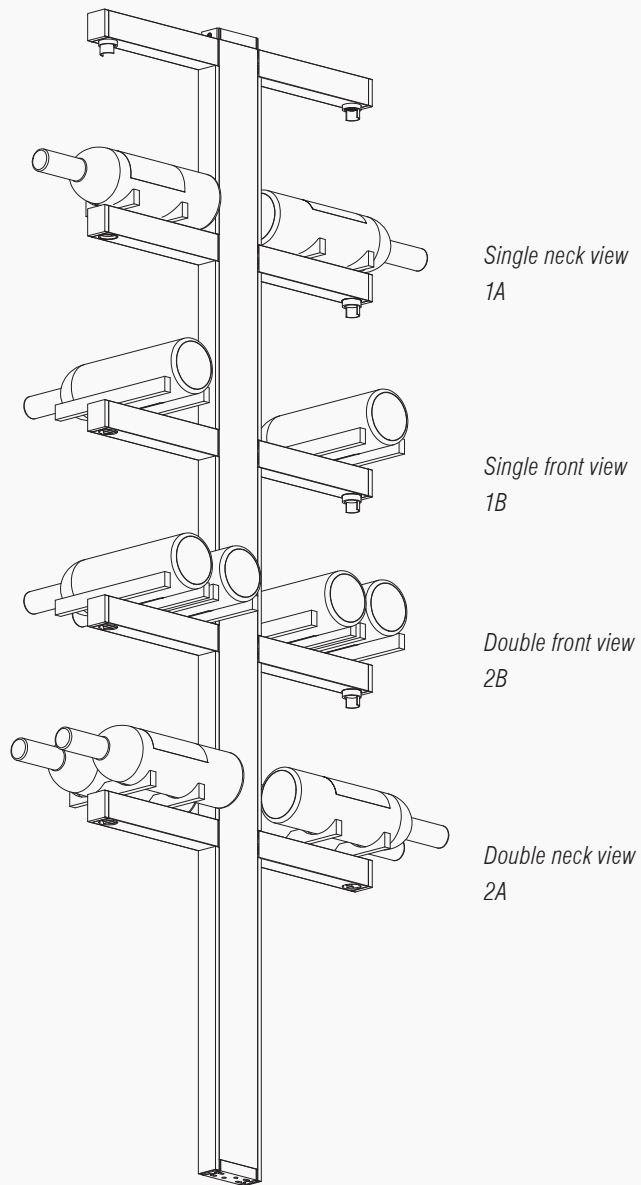
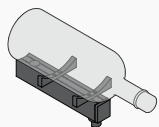


L183

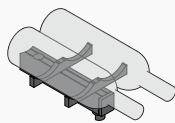
Modular Wine Rack



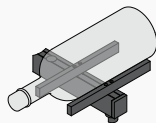
Cross Bar Options:



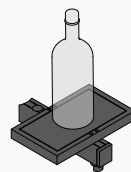
Single neck view
1A



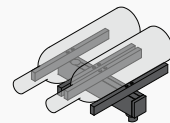
Double neck view
2A



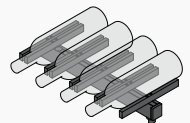
Single front view
1B



Single vertical view
1V



Double front view
2B



Four bottle front view
4B

L183

Modular Wine Rack

Parts

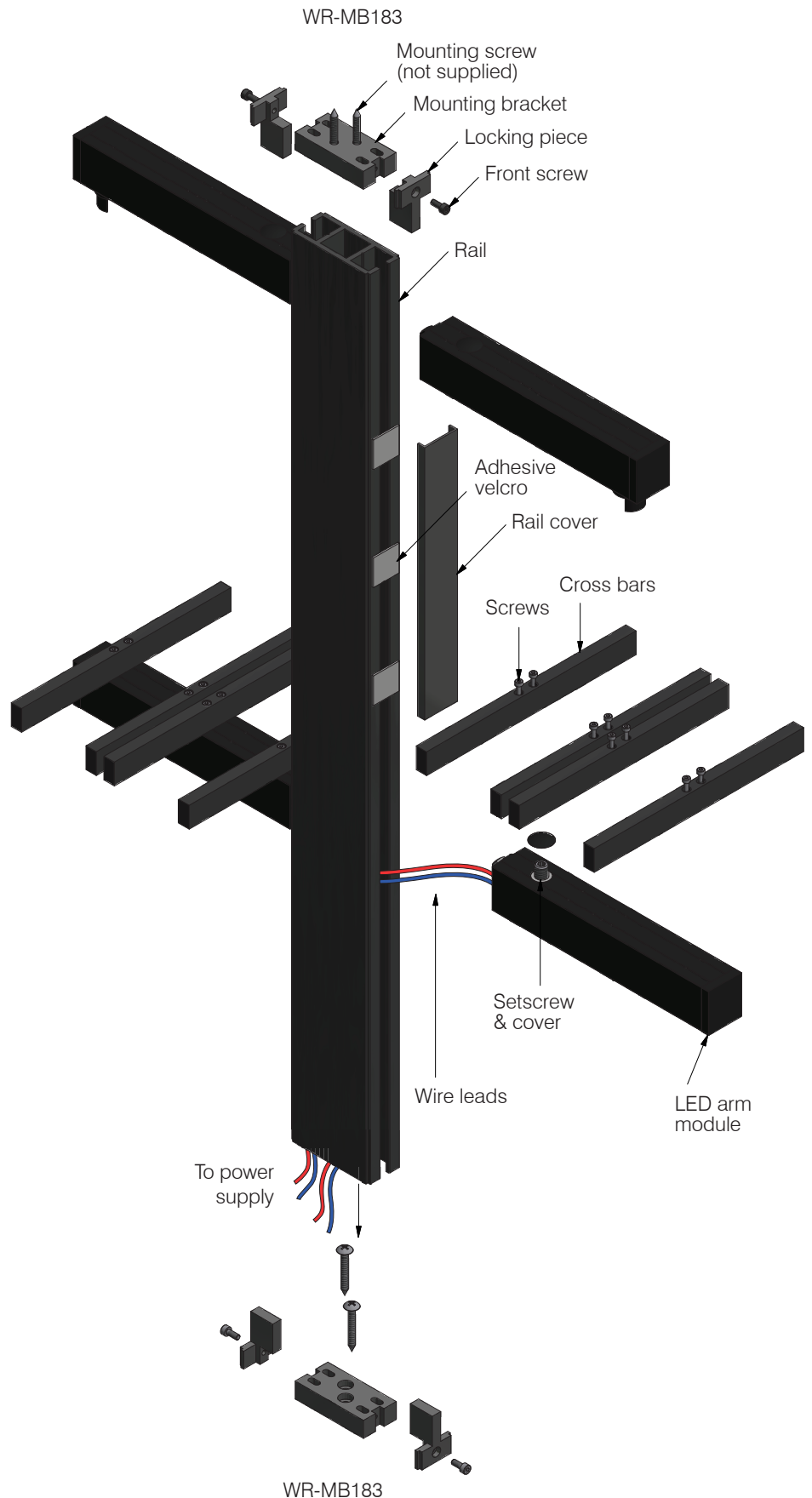
Rail
LED arm modules
Wine bottle cross bars
Rail covers
Setscrew cover
Mounting brackets WR-MB183
Mounting screws (not supplied)

- 1) Position mounting bracket B on to the ground and secure it with screws (not supplied). Repeat step for the mounting bracket on the ceiling.

Note: To ensure proper support, it is recommended to mount to a plywood wall or support structure. A plastic or lead anchor is recommended when mounting to concrete.

#8 screws are recommended on the mounting bracket. Screws will not be supplied.

- 2) Once mounting brackets (floor and ceiling) are secured, slide the rail into the mounting brackets. Insert the wire leads into the hole.
- 3) Insert it into the locking piece into the slot of the rail.
- 4) Insert wire leads.
- 5) Mount arm modules to rail by loosening hex head screw on arm without unscrewing all the way. Once loosened, the anchor head will move outward. Insert arm into slot in the rail and turn arm module 90°.
- 4) Cut rail cover to appropriate size and fit into place. Use 3 velcro pieces to secure it onto the rail.
- 5) Install cross bars for holding wine bottle.
- 6) Connect fixture wires to low voltage wiring (remote LED driver).



L183

Modular Wine Rack

Parts

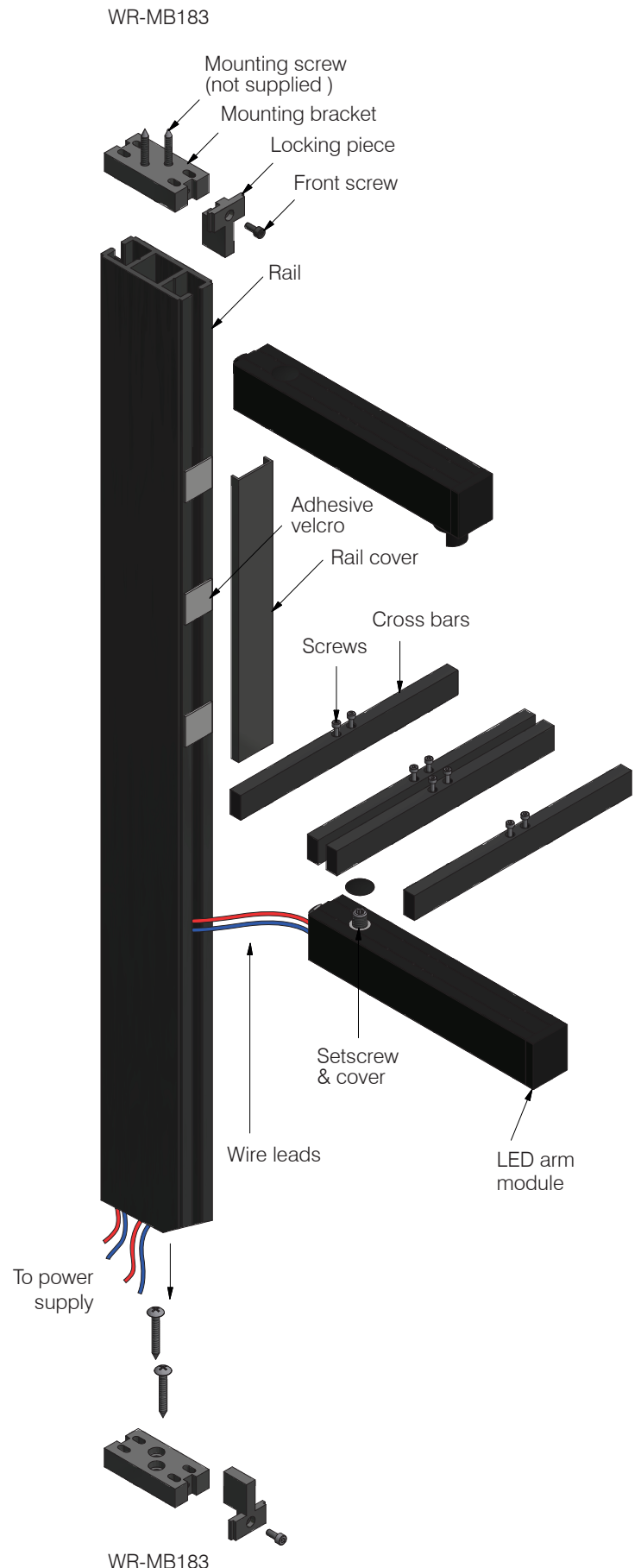
Rail
LED arm modules
Wine bottle cross bars
Rail covers
Setscrew cover
Mounting Brackets WR-MB183
Mounting screws (not supplied)

- 1) Position mounting bracket B on to the ground and secure it with screws (not supplied). Repeat step for the mounting bracket on the ceiling.

Note: To ensure proper support, it is recommended to mount to a plywood wall or support structure. A plastic or lead anchor is recommended when mounting to concrete.

#8 screws are recommended on the mounting bracket. Screws will not be supplied.

- 2) Once mounting brackets (floor and ceiling) are secured, slide the rail into the mounting brackets. Insert the wire leads into the hole.
- 3) Insert it into the locking piece into the slot of the rail.
- 4) Insert wire leads.
- 5) Mount arm modules to rail by loosening hex head screw on arm without unscrewing all the way. Once loosened, the anchor head will move outward. Insert arm into slot in the rail and turn arm module 90°.
- 4) Cut rail cover to appropriate size and fit into place. Use 3 velcro pieces to secure it onto the rail.
- 5) Install cross bars for holding wine bottle.
- 6) Connect fixture wires to low voltage wiring (remote LED driver).



L183

Mount Cross Bars Arms

Parts

Support rail
LED arm modules
Wine bottle cross bars
Rail cover
Setscrew cover

Mount arm modules by starting from the bottom working up.

- 2) Insert wire leads.
- 3) Mount arm modules to rail by loosening hex head screw on arm without unscrewing all the way. Once loosened, the anchor head will move outward. Insert arm into slot in the rail and turn arm module 90°.
- 4) Position to correct height and lock setscrew with Allen key so arm is secure and holds position.
- 5) Cover screw by inserting setscrew cover.
- 6) Trim rail cover to appropriate size to cover rail between bars.

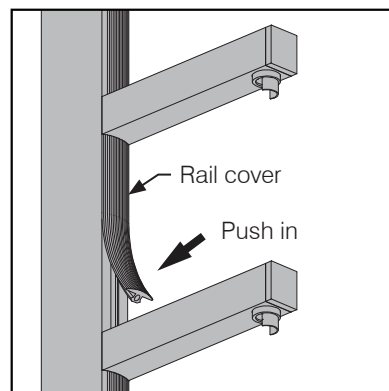
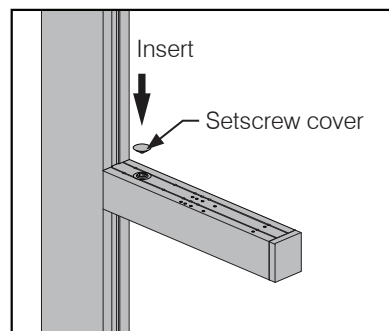
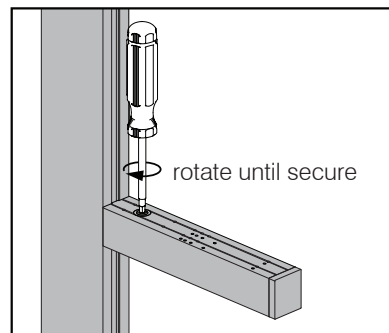
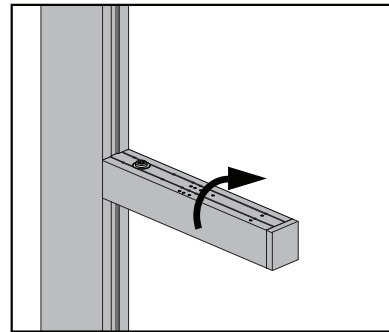
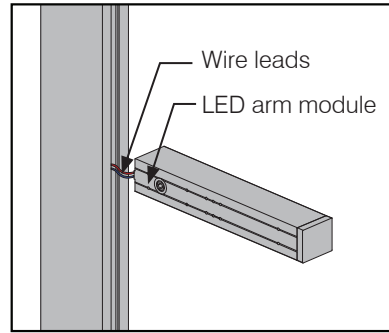
With rail cover facing down, cut with a utility knife using a ruler or straight edge to guide knife.

Push cover into slot in rail until the cover is flush against rail.

- 7) Install bars for holding wine bottle.

**Mounting instructions for cross bar options on the following page.*

- 8) Connect fixture wires to low voltage wiring (remote LED driver).

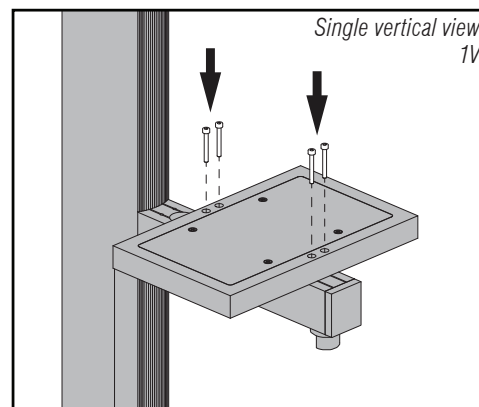
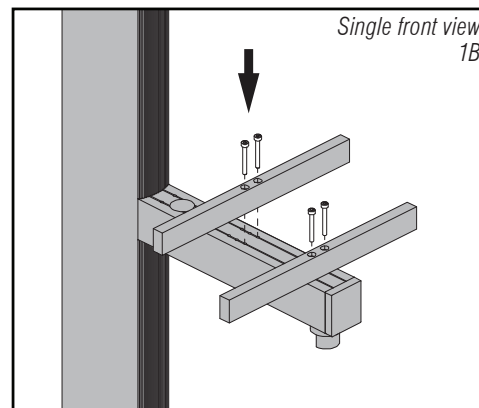
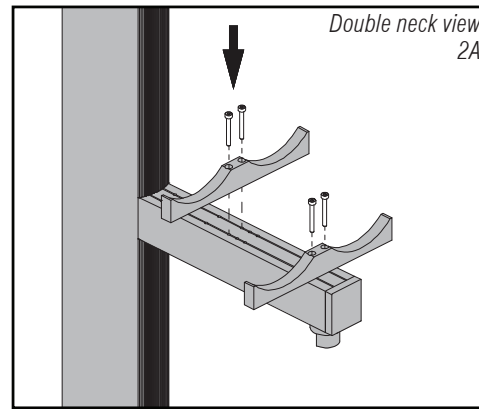
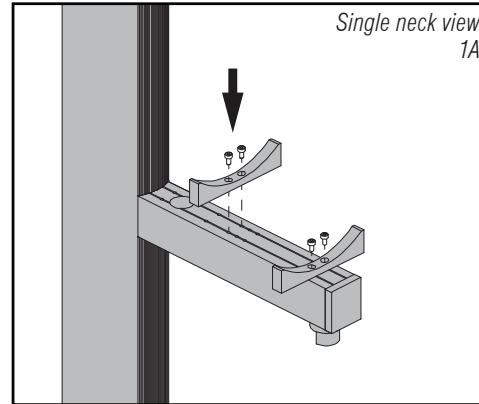


L183

Mount Cross Bars Arms

Mount bottle holder cross bars 1A, 2A, 1B:

- 1) Place first cross bar on the top of LED arm module and attach to the frontmost holes with provided screws.
- 2) To mount the second cross bar choose any of the last 3 holes depending on size of wine bottle.



Mount bottle holder cross bars 1V:

- 1) Place first cross bar on the top of LED arm module and attach to the frontmost holes with provided screws.
- 2) Mount the back of the cross bar with two screws to the matching holes on the LED arm module.

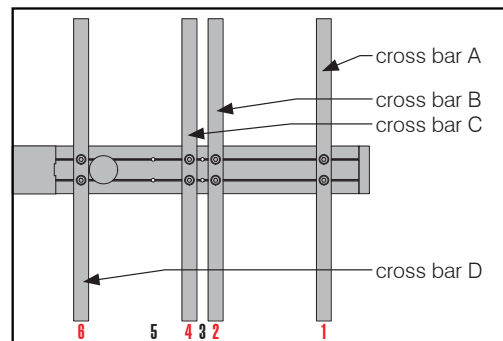
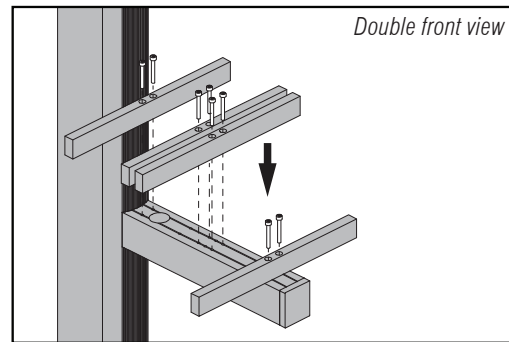
L183

Mount Cross Bars Arms

Mount double front view cross bars 2B

2 wine bottles

- 1) Cross bar A mounts to the hole 1 from the front of the arm.
- 2) Cross bar B mounts to the hole 2.
- 3) The third hole is left empty
- 4) Cross bar C mounts to the hole 4.
- 5) The fifth hole is left empty.
- 6) Cross bar D mounts to hole 6, the last hole on the arm.



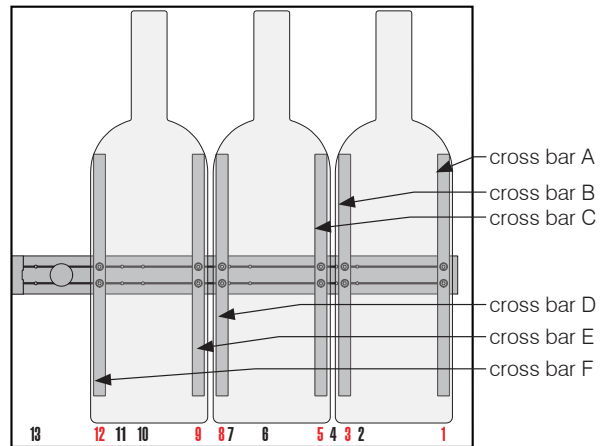
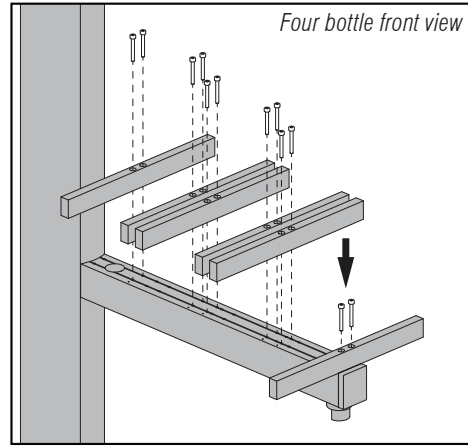
L183

Mount Cross Bars Arms

4B Cross Bar

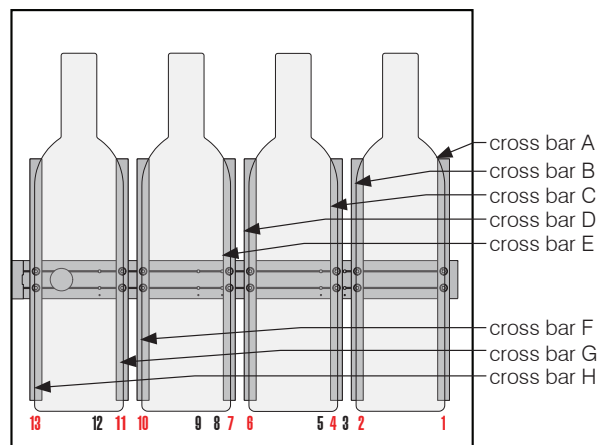
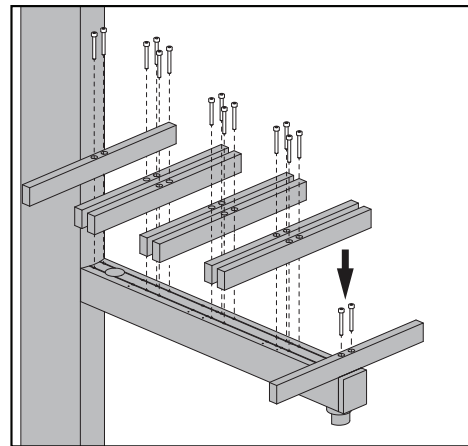
3 magnum wine bottles

- 1) Cross bar A mounts to the hole 1 from the front of the arm.
- 2) Cross bar B mounts to the hole 3.
- 3) Cross bar C mounts to the hole 5.
- 4) Cross bar D mounts to the hole 8.
- 5) Cross bar E mounts to the hole 9.
- 6) Cross bar F mounts to the hole 12.



4 wine bottles

- 1) Cross bar A mounts to the hole 1 from the front of the arm.
- 2) Cross bar B mounts to the hole 2.
- 3) Cross bar C mounts to the hole 4.
- 4) Cross bar D mounts to the hole 6.
- 5) Cross bar E mounts to the hole 7.
- 6) Cross bar F mounts to the hole 10.
- 7) Cross bar G mounts to the hole 11.
- 8) Cross bar H mounts to the hole 13.



IMPORTANT SAFETY INSTRUCTIONS

KEEP THESE INSTALLATION INSTRUCTIONS

(Including General and Additional Markings for Fixtures)

(FOR MP LIGHTING LED LUMINAIRES, CLASS 3402-xx)

General and additional markings

1. For Use Only with Certified/NRTL Driver, Model _____
2. DRY LOCATIONS ONLY

Installation instructions

1. The grounding installation shall be done in accordance with CEC-Part 1.
2. WARNING: RISK OF FIRE OR ELECTRIC SHOCK: DO NOT MAKE OR ALTER ANY OPENINGS IN THE COMPARTMENT OF WIRING OR ELECTRICAL COMPONENTS DURING INSTALLATION. DO NOT ALTER OR ADD BALLASTS, OR ANY OTHER ELECTRICAL COMPONENTS.
3. INSTALLATION AND USE OF THIS FIXTURE MOUNTING ASSEMBLY REQUIRES A PERSON FAMILIAR WITH THE CONSTRUCTION AND OPERATION OF LUMINAIRE ELECTRICAL SYSTEMS AND THE HAZARD INVOLVED, IF NOT QUALIFIED, DO NOT ATTEMPT INSTALLATION. CONTACT A QUALIFIED ELECTRICIAN.
4. TURN OFF POWER BEFORE INSTALLATION.
5. KEEP THESE INSTALLATION INSTRUCTIONS.

CONSIGNES DE SÉCURITÉ IMPORTANTES

CONSERVER CES INSTRUCTIONS D'INSTALLATION

(Dont le général et marques supplémentaires pour les appareils)

(Pour les luminaires LED MP D'ÉCLAIRAGE , CLASS 3402 -xx)

Général et marquages supplémentaires

1. A utiliser uniquement avec Certified / NRTL pilote, modèle _____
2. POUR EMPLACEMENTS SECS SEULEMENT

Les instructions d'installation

1. L'installation de mise à la terre doit être fait en conformité avec CEC Partie 1.
2. AVERTISSEMENT : RISQUE D'INCENDIE OU D'ÉLECTROCUTION : NE PAS FAIRE OU MODIFIER DES OUVERTURES DANS LE COMPARTIMENT DE CÂBLAGE OU DE COMPOSANTS ÉLECTRIQUES LORS DE L'INSTALLATION. NE PAS MODIFIER OU AJOUTER DES BALLASTS, OU AUTRES COMPOSANTS ÉLECTRIQUES
3. CE PRODUIT DOIT ÊTRE INSTALLÉ SELON LE CODE D'INSTALLATION PERTINENT, PAR UNE PERSONNE QUI CONNAÎT BIEN LE PRODUIT ET SON FONCTIONNEMENT AINSI QUE LES RISQUES INHÉRENTS. CONSULTER UN ÉLECTRICIEN QUALIFIÉ.
4. COUPER LE COURANT AVANT L'INSTALLATION.
5. CONSERVEZ CES INSTRUCTIONS.