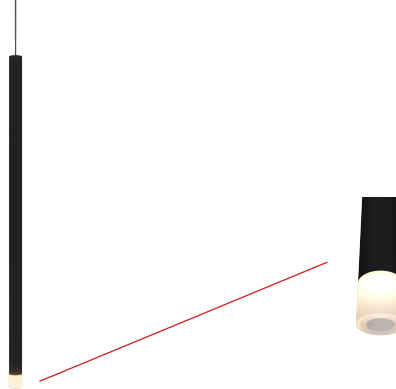


L194

INTERIOR

Pendant | For ceilings

● Dry location



Ordering Information

Clear Form

Date : _____ Quantity : _____

Project : _____ Note : _____

Type : _____

Specifications

Luminaire | Example Code: L194-C3-1-2-W30H-C72-BA

Product	Canopy ¹	Version	Length	CCT & CRI ²	Beam Angle	Cord Length ³	Pendant Finish
L194							
	C1	1 1W	A 1/2' (6.5")	W22S 2200K 80+	S spot 12°	Cord:	Aluminum Finishes:
	C3	2 2W	1 1'	W27H 2700K 90+	N narrow flood 30°	C72 72" (1830mm)	BA black anodized
	C4		2 2'	W30H 3000K 90+		CX custom length	WH white powder coated
	C20		4 4'	W35H 3500K 90+			Architectural Finishes:
	C22		6 6'	W41H 4100K 90+			WO white oak
							TK teak
							WN walnut
							ML maple

System Components (Ordered Separately)

Remote Driver : _____

* Consult MP Lighting Website or Factory.

Important Notes

Specification

- See pg.3-5 - for different canopy options and its dimensions. C20 requires a mounting flange (sold separately).
- See pg.2 - for light quality and colour consistency details.
- 72" (1830mm) cord is included. Consult factory for custom cord length.

Warranty Notes & Disclaimer

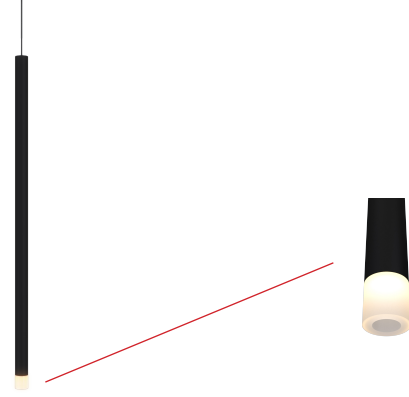
Malfunction and damage to product due to incompatible dimming system or misuse will not be covered under warranty. Consult MP Lighting for recommended drivers. If the fixture has an option to be installed with a dimming control system, consult a dimming system manufacturer with minimum load before installing. MP Lighting reserves the right, at its sole discretion, at any time and without notice, to make design changes to any of our products. Consult MP Lighting website for most updated documentation.

L194

INTERIOR

Pendant | For ceilings

● Dry location



Performance

Wattage	Forward Current	Power Consumption Budget per fixture (including driver)	LED output (Source)	Fixture Output (Delivered)
1W	350mA	1.3W	110 lm	47-56 lm
2W	700mA	2.6W	220 lm	90-99 lm

Application

Environment	Dry Location approved. IP 20.
Mounting	<p>C1/C3/C4: Mounts to a 4" octagonal box using the mounting canopy.</p> <p>C20: Recess mounts to a surface with coil spring clips.</p> <p>C22: Threaded to a 4" octagonal box with the adapter & bracket</p>

Electrical

Power Supplies	Remote LED drivers (120-277V AC input, constant current output): Fixtures to be wired in series.
Control	<p>On/off control</p> <p>Dimming: ELV or 0-10V dimming with appropriate drivers</p> <p>Other options (consult factory): TRIAC/MLV, DMX, DALI, Casambi, Power over Ethernet</p>

Luminaire Construction

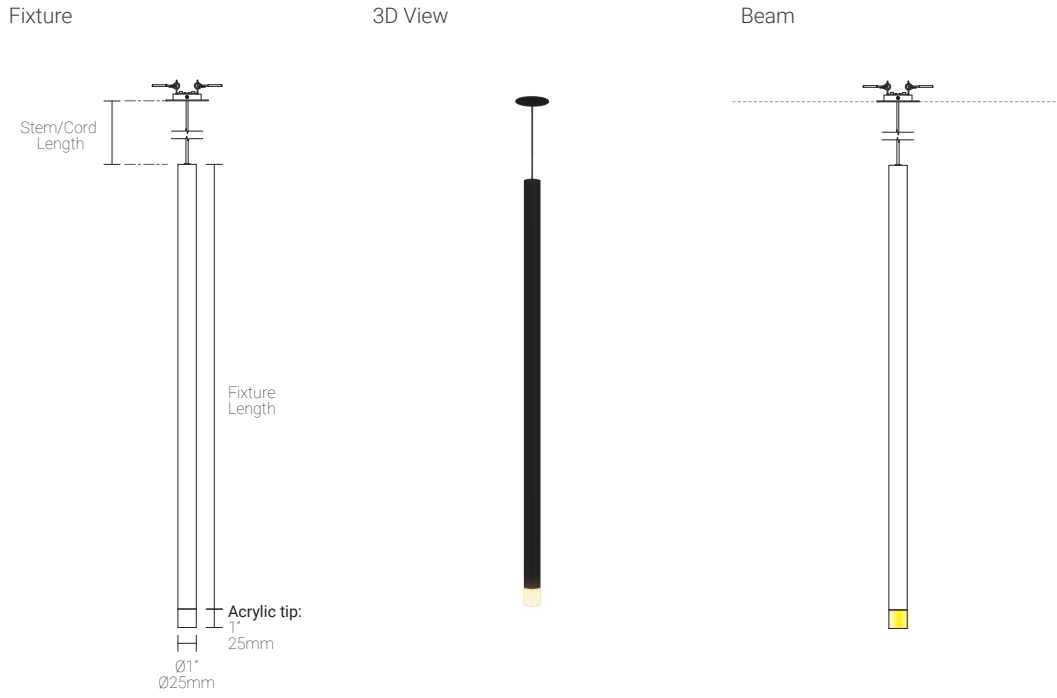
LED Light Source	<p>W22S = CCT: 2200K, CRI (Ra): 80+, Colour Consistency: 3SDCM</p> <p>W27H = CCT: 2700K, CRI (Ra): 90+, Colour Consistency: 2SDCM</p> <p>W30H = CCT: 3000K, CRI (Ra): 90+, Colour Consistency: 2SDCM</p> <p>W35H = CCT: 3500K, CRI (Ra): 90+, Colour Consistency: 2SDCM</p> <p>W41H = CCT: 4100K, CRI (Ra): 90+, Colour Consistency: 3SDCM</p>
Standard Compliance	✓ WELL standard – Feature 58: Color Quality
Weight	N/A
Material	Fixture: machined marine-grade aluminum & PMMA tip
Supplied with	<p>Standard installation housing: Canopy. Refer to Installation Sheet for details.</p> <p>Cord: 6' (1830mm) cord is included. Consult factory for custom cord length.</p>
Warranty & LED Life	<p>5 years limited warranty</p> <p>Estimated useful life of LED is 50,000 hours.</p>

Ordered Separately

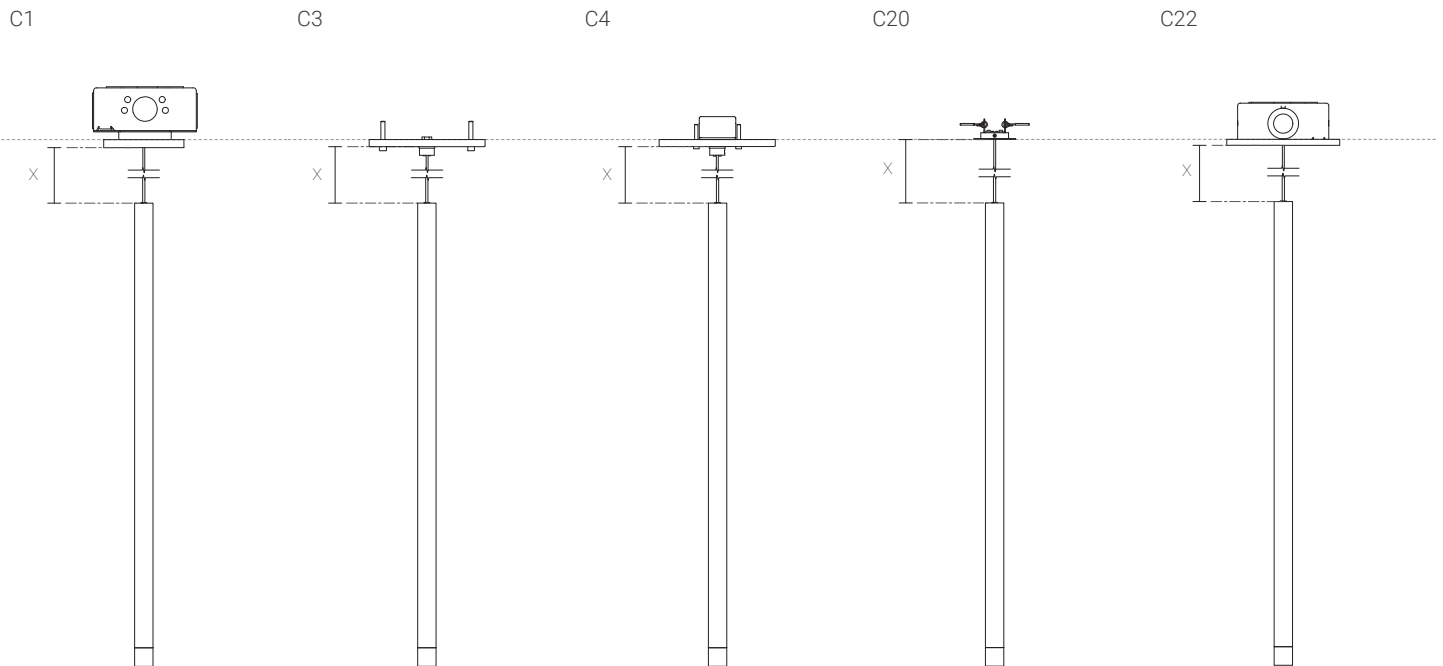
System Components	<p>Power supplies: remote driver</p> <p>Please consult factory or visit Recommended Drivers for available driver options.</p>
-------------------	--

Mounting Options & Dimensions

LED Fixture Dimensions (shown with C20 canopy)



Measurement of Custom Cord/Stem Length (X)

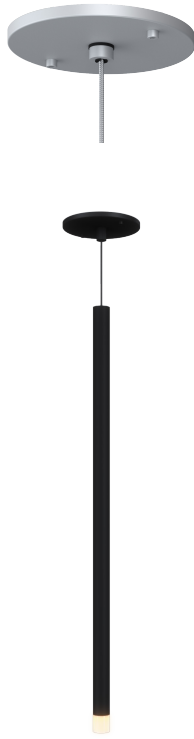


Mounting Options & Dimensions

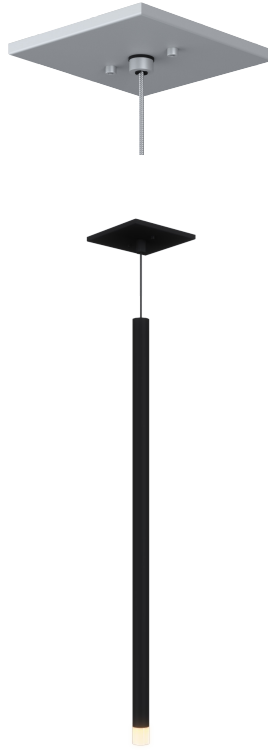
C1



C3



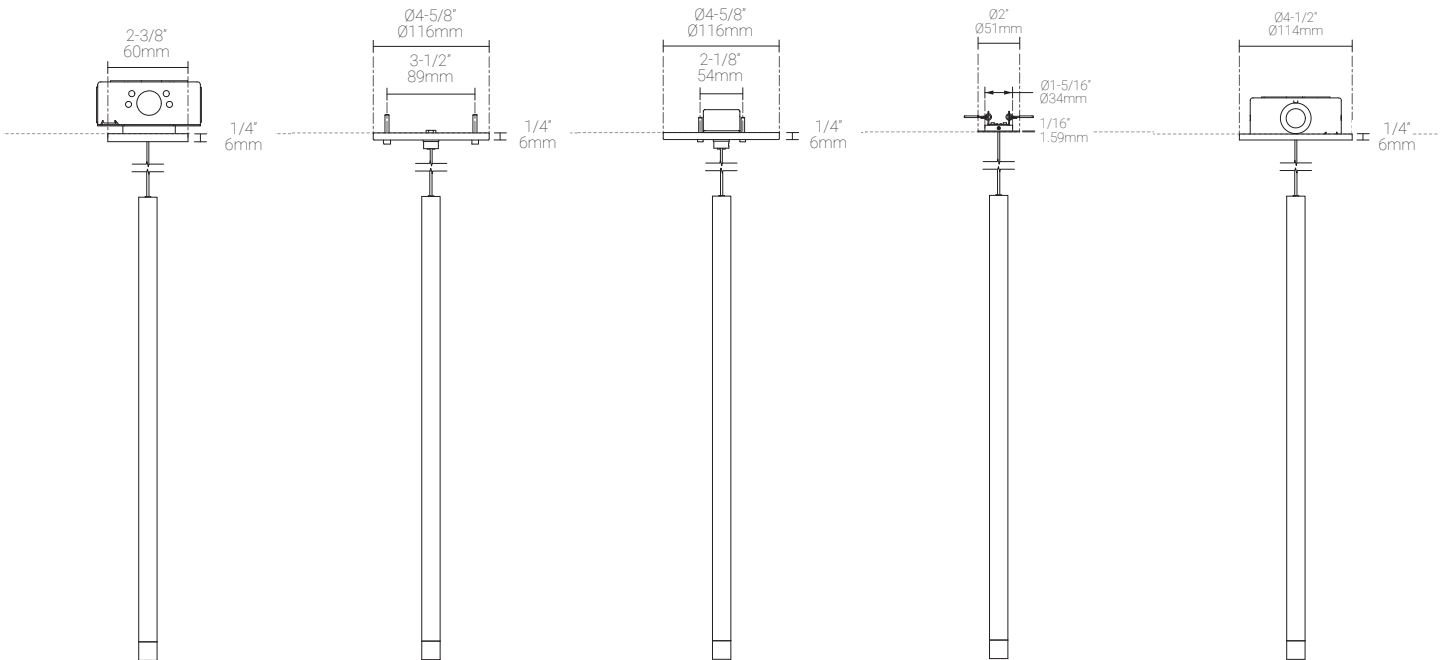
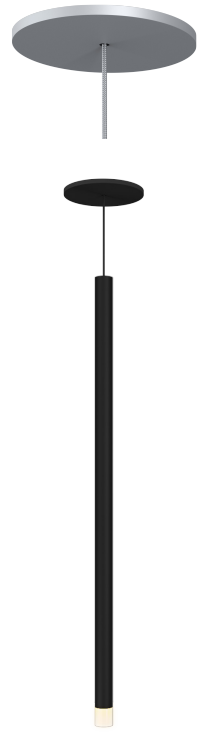
C4



C20

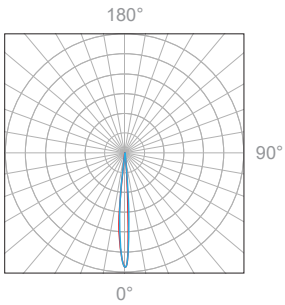


C22



1W, 3000K, 90+ CRI

Polar Candela Distribution



Beam Width: 12°

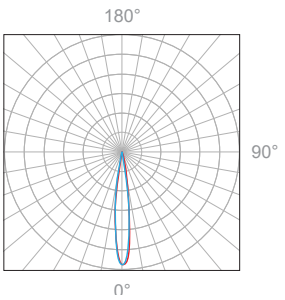


Illuminance at a Distance

Distance		Center Beam fc
1.5ft	0.46m	150.4fc
3.0ft	0.91m	39.5fc
6.0ft	1.83m	9.5fc
9.0ft	2.74m	4.4fc
12.0ft	3.66m	2.3fc
15.0ft	4.57m	1.5fc

Delivered Lumen: 53lm
 ■ Vertical Beam Spread: 13.7°
 ■ Horizontal Beam Spread: 13.7°

Polar Candela Distribution



Beam Width: 30°



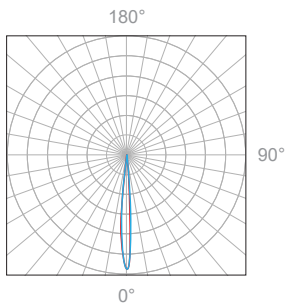
Illuminance at a Distance

Distance		Center Beam fc
1.5ft	0.46m	46.9fc
3.0ft	0.91m	26.7fc
6.0ft	1.83m	6.8fc
9.0ft	2.74m	3.0fc
12.0ft	3.66m	1.6fc
15.0ft	4.57m	1.1fc

Delivered Lumen: 53lm
 ■ Vertical Beam Spread: 19.8°
 ■ Horizontal Beam Spread: 19.8°

2W, 3000K, 90+ CRI

Polar Candela Distribution



Beam Width: 12°

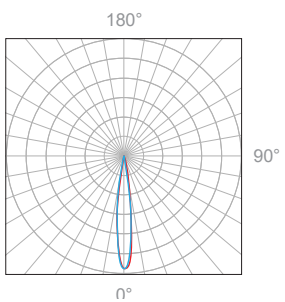


Illuminance at a Distance

Distance		Center Beam fc
1.5ft	0.46m	268.9fc
3.0ft	0.91m	71.5fc
6.0ft	1.83m	18.1fc
9.0ft	2.74m	8.1fc
12.0ft	3.66m	4.6fc
15.0ft	4.57m	2.8fc

Delivered Lumen: 105lm
 ■ Vertical Beam Spread: 13.7°
 ■ Horizontal Beam Spread: 13.7°

Polar Candela Distribution



Beam Width: 30°



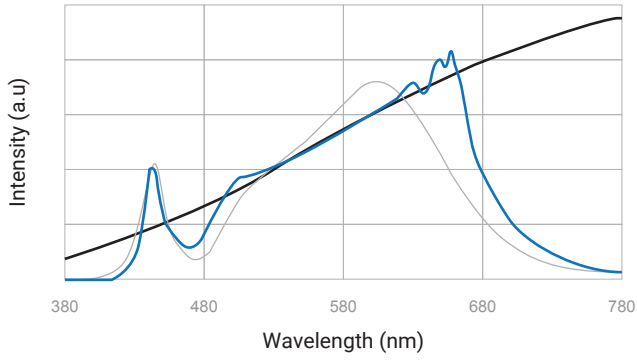
Illuminance at a Distance

Distance		Center Beam fc
1.5ft	0.46m	184.6fc
3.0ft	0.91m	48fc
6.0ft	1.83m	11.7fc
9.0ft	2.74m	5.5fc
12.0ft	3.66m	3.1fc
15.0ft	4.57m	2.0fc

Delivered Lumen: 105lm
 ■ Vertical Beam Spread: 29.4°
 ■ Horizontal Beam Spread: 29.4°

Full Spectrum

— Full Spectrum — Standard Illuminant @ 3000K — Ra≥80



Appendix

Aluminum Finishes



BA black anodized



WH white powder coated

Architectural Finishes



WO white oak



TK teak



WN walnut



ML maple