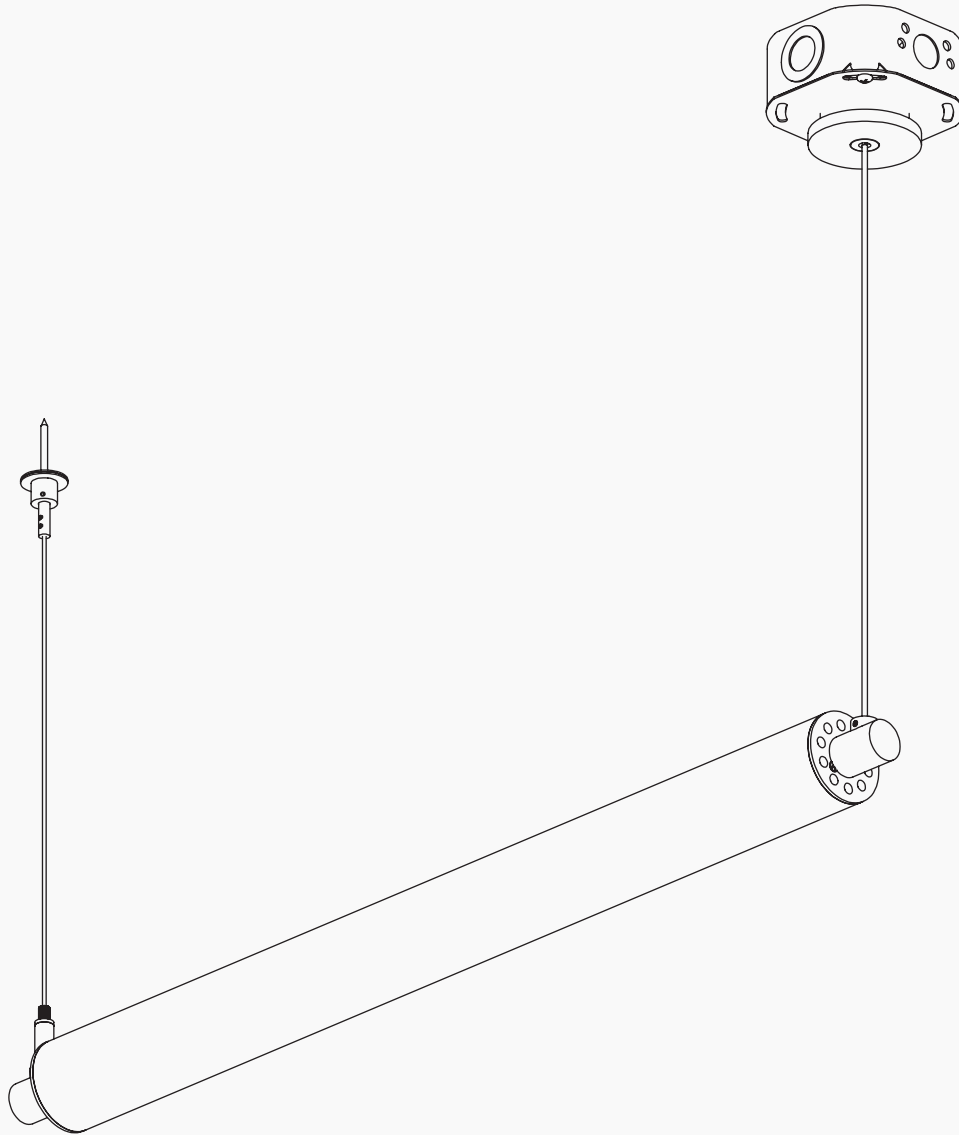


L196C1

Interior pendant



L196C1

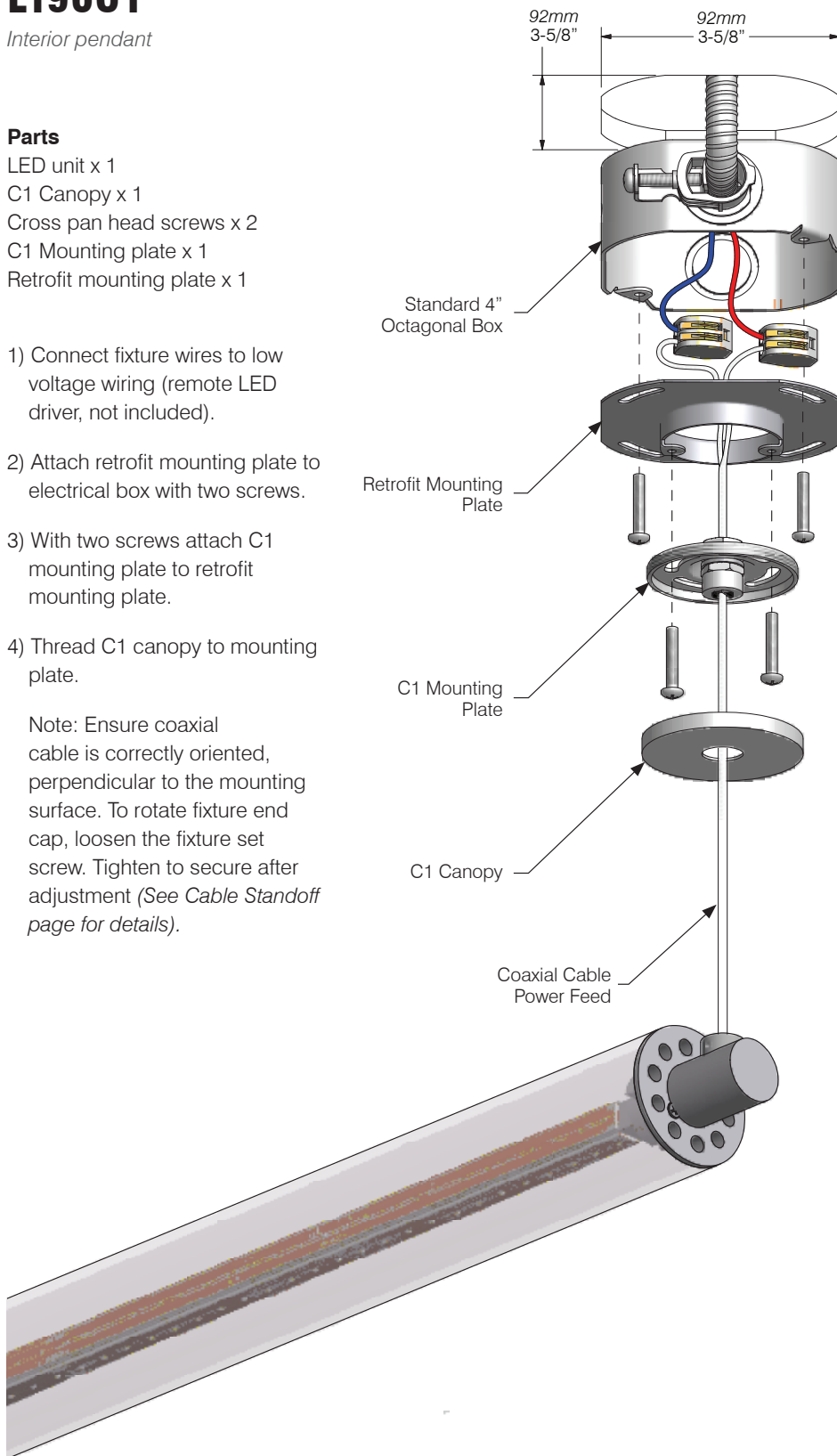
Interior pendant

Parts

LED unit x 1
C1 Canopy x 1
Cross pan head screws x 2
C1 Mounting plate x 1
Retrofit mounting plate x 1

- 1) Connect fixture wires to low voltage wiring (remote LED driver, not included).
- 2) Attach retrofit mounting plate to electrical box with two screws.
- 3) With two screws attach C1 mounting plate to retrofit mounting plate.
- 4) Thread C1 canopy to mounting plate.

Note: Ensure coaxial cable is correctly oriented, perpendicular to the mounting surface. To rotate fixture end cap, loosen the fixture set screw. Tighten to secure after adjustment (See *Cable Standoff* page for details).



Cable Standoff

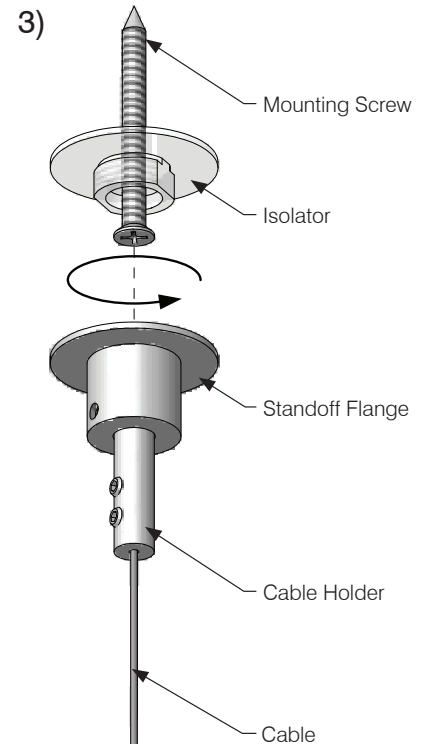
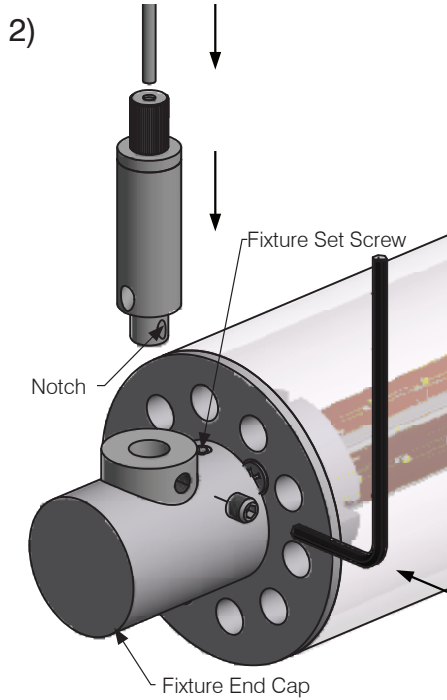
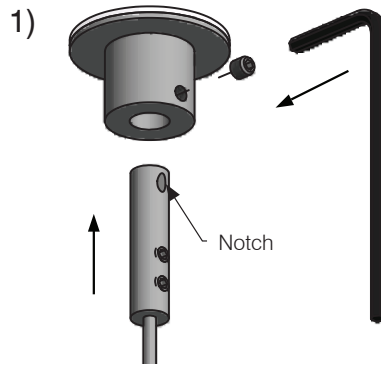
L196 Interior pendant

- 1) Mount cable holder to standoff flange using set screw. *Ensure set screw inserts to the notch of the cable holder.*
- 2) Mount standoff knob to fixture using set screw. *Ensure set screw inserts to the notch of the standoff knob.*
- 3) Unscrew standoff flange from isolator insert.
- 4) Mount screw and isolator insert to ceiling.

Note: To ensure proper support, it is recommended to use a wall anchor when mounting to dry wall or sheet rock. A plastic or lead anchor is recommended when mounting to concrete.

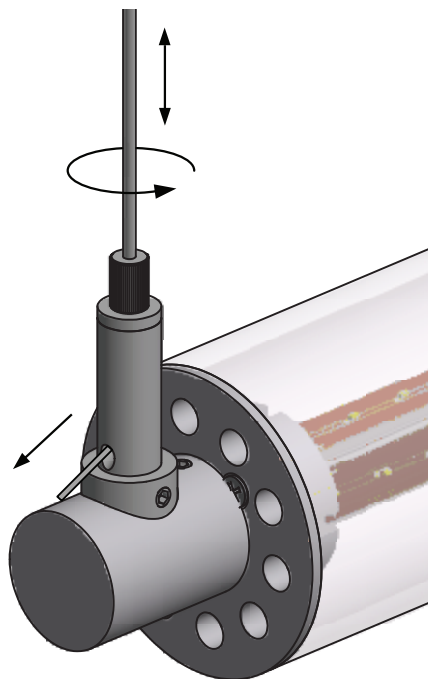
- 5) Thread flange back onto isolator insert ensuring there is no space between isolator and flange.

Note: Ensure standoff knob is correctly oriented, perpendicular to the mounting surface. To rotate fixture end cap, loosen the fixture set screw. Tighten to secure after adjustment.



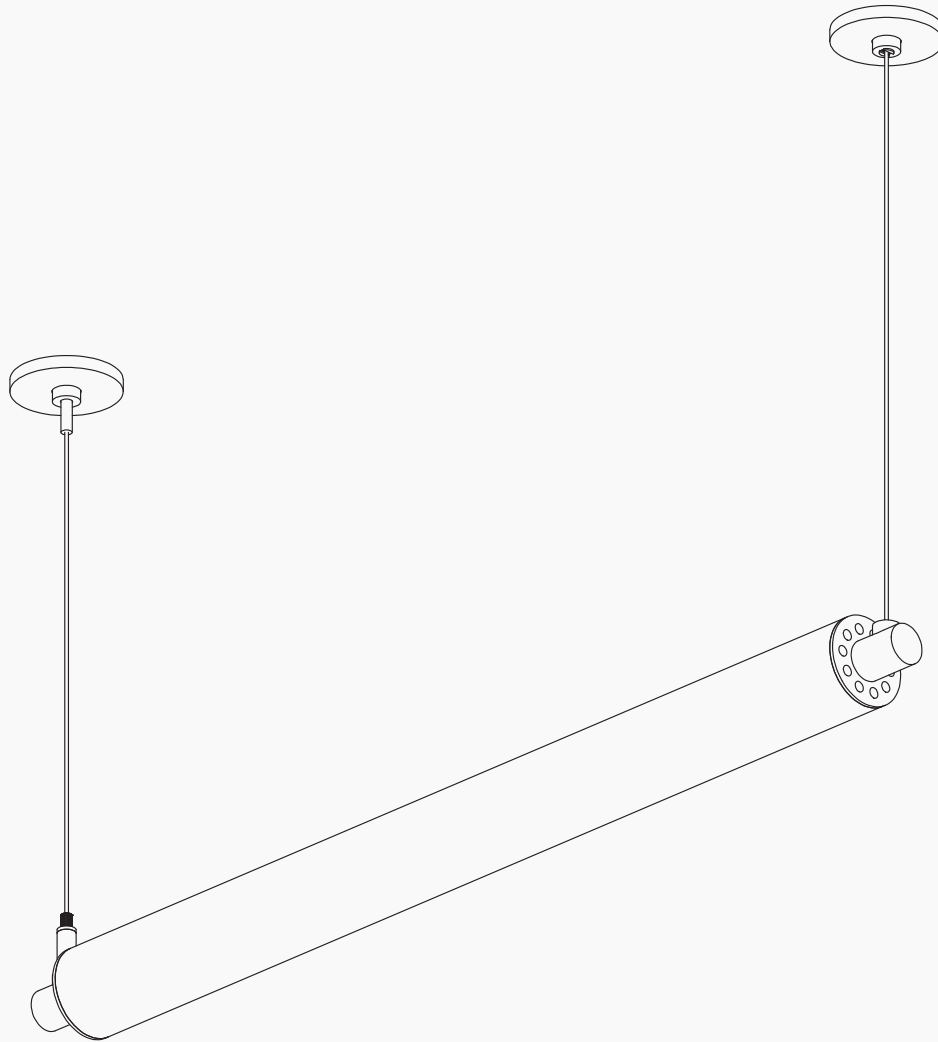
Adjust Length of Standoff

- 1) Turn the knob to loosen and pull the cable through.
- 2) Adjust cable to desired length then tighten knob until secure.
- 3) Cut excess length of cable off.



L196C1

Interior pendant



L196C1

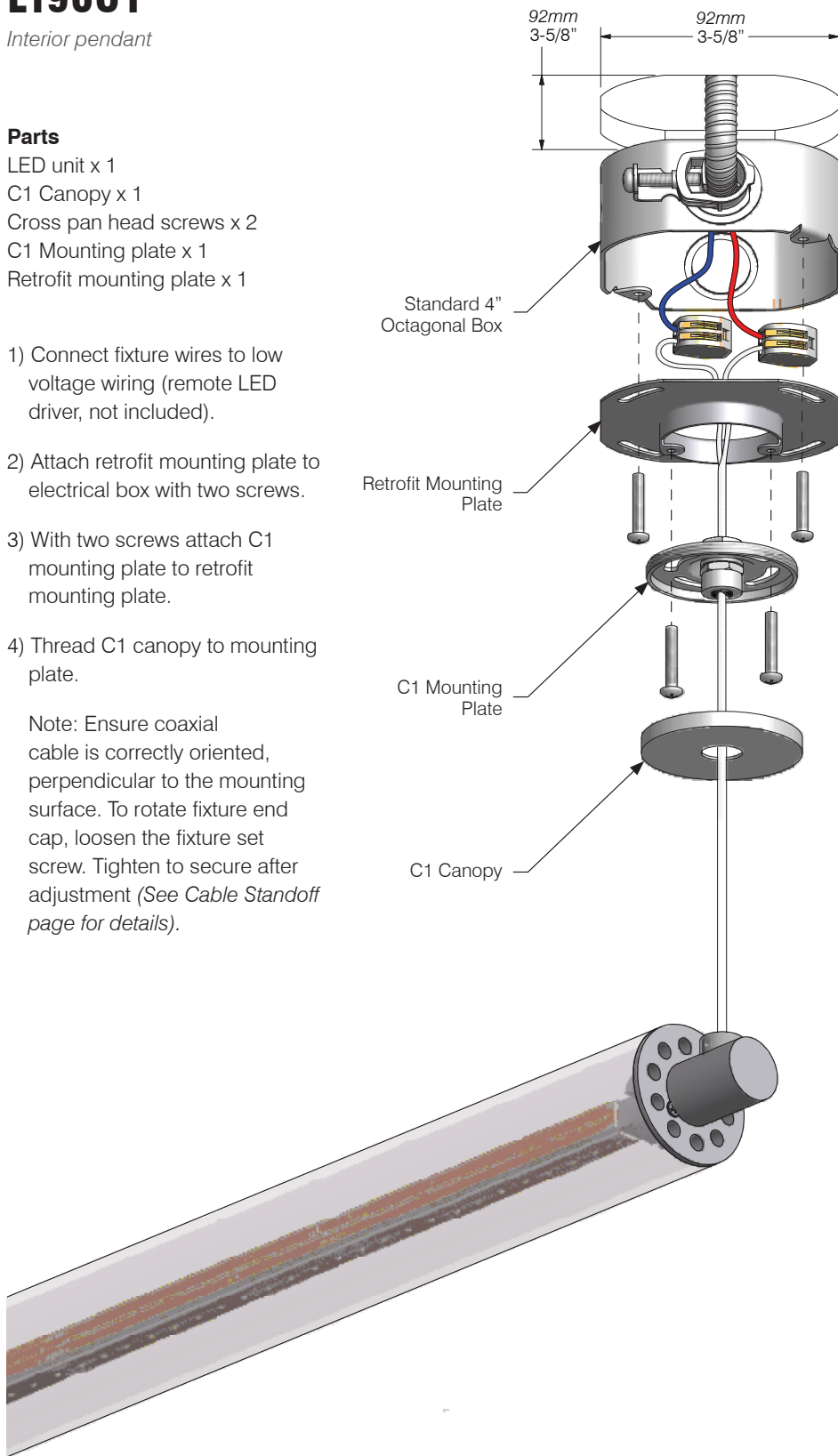
Interior pendant

Parts

- LED unit x 1
- C1 Canopy x 1
- Cross pan head screws x 2
- C1 Mounting plate x 1
- Retrofit mounting plate x 1

- 1) Connect fixture wires to low voltage wiring (remote LED driver, not included).
- 2) Attach retrofit mounting plate to electrical box with two screws.
- 3) With two screws attach C1 mounting plate to retrofit mounting plate.
- 4) Thread C1 canopy to mounting plate.

Note: Ensure coaxial cable is correctly oriented, perpendicular to the mounting surface. To rotate fixture end cap, loosen the fixture set screw. Tighten to secure after adjustment (See *Cable Standoff* page for details).

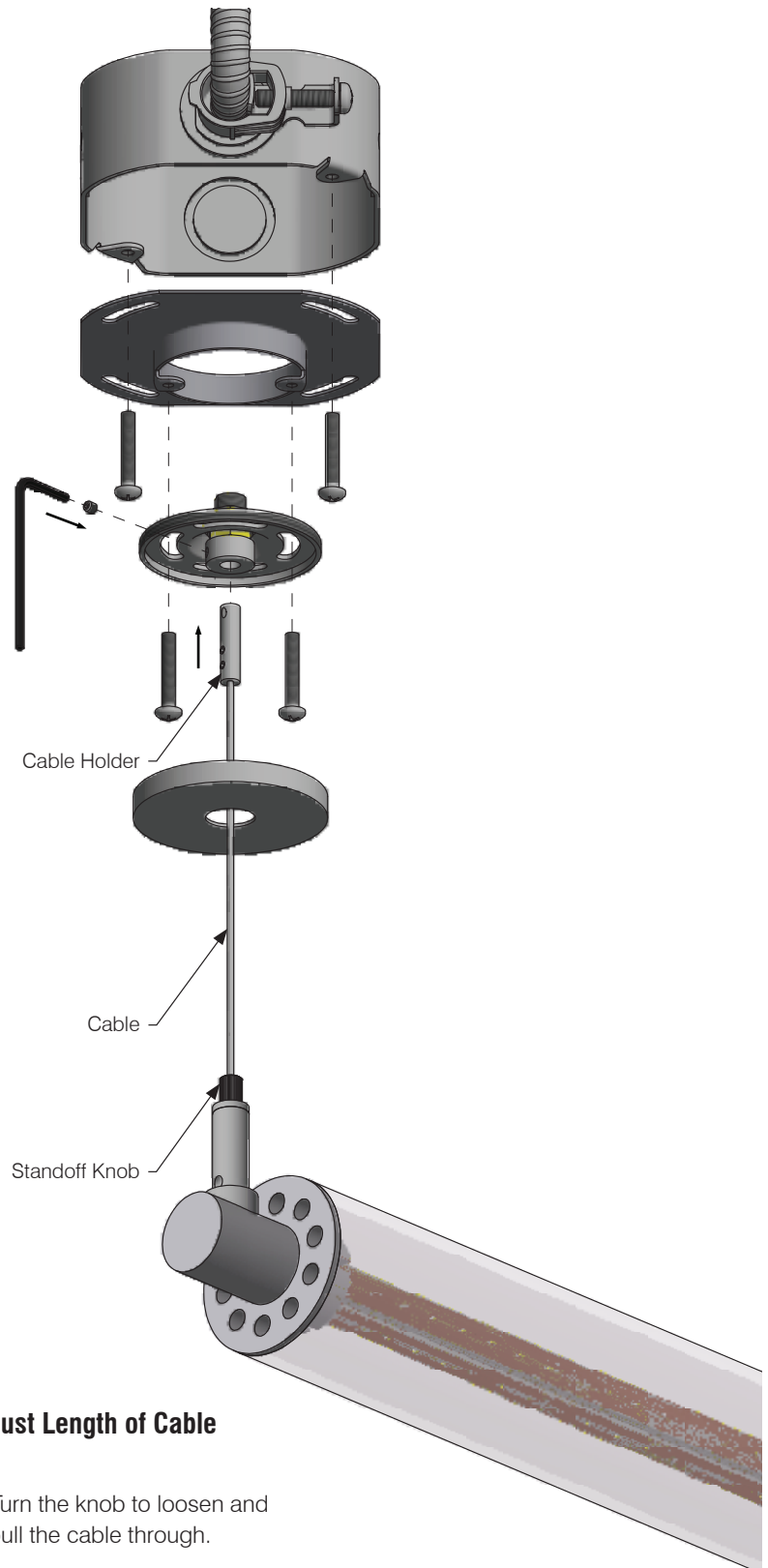
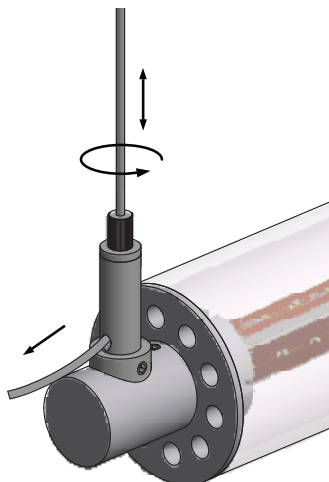
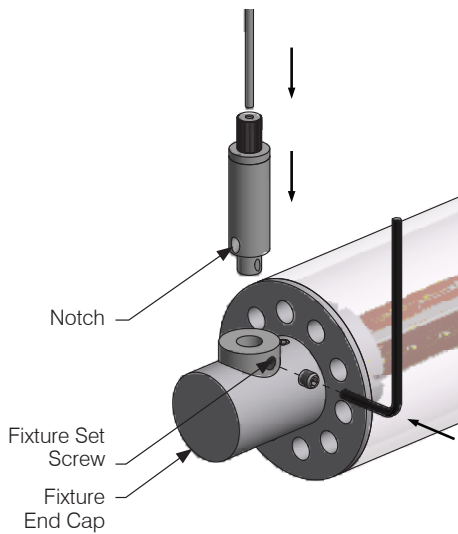


C1 with Cable Standoff

L196 Interior pendant

- 1) Mount cable holder to C1 Canopy using set screw. *Ensure set screw inserts to the notch of the cable holder.*
- 2) Mount standoff knob to fixture using set screw. *Ensure set screw inserts to the notch of the standoff knob.*

Note: Ensure standoff knob is correctly oriented, perpendicular to the mounting surface. To rotate fixture end cap, loosen the fixture set screw. Tighten to secure after adjustment.



Adjust Length of Cable

- 1) Turn the knob to loosen and pull the cable through.
- 2) Adjust cable to desired length then tighten knob until secure.
- 3) Cut excess length of cable off.

IMPORTANT SAFETY INSTRUCTIONS

KEEP THESE INSTALLATION INSTRUCTIONS

(Including General and Additional Markings for Fixtures)

(FOR MP LIGHTING LED LUMINAIRES, CLASS 3402-xx)

General and additional markings

1. For Use Only with Certified/NRTL Driver, Model _____
2. DRY LOCATIONS ONLY

Installation instructions

1. The grounding installation shall be done in accordance with CEC-Part 1.
2. WARNING: RISK OF FIRE OR ELECTRIC SHOCK: DO NOT MAKE OR ALTER ANY OPENINGS IN THE COMPARTMENT OF WIRING OR ELECTRICAL COMPONENTS DURING INSTALLATION. DO NOT ALTER OR ADD BALLASTS, OR ANY OTHER ELECTRICAL COMPONENTS.
3. INSTALLATION AND USE OF THIS FIXTURE MOUNTING ASSEMBLY REQUIRES A PERSON FAMILIAR WITH THE CONSTRUCTION AND OPERATION OF LUMINAIRE ELECTRICAL SYSTEMS AND THE HAZARD INVOLVED, IF NOT QUALIFIED, DO NOT ATTEMPT INSTALLATION. CONTACT A QUALIFIED ELECTRICIAN.
4. TURN OFF POWER BEFORE INSTALLATION.
5. KEEP THESE INSTALLATION INSTRUCTIONS.

CONSIGNES DE SÉCURITÉ IMPORTANTES

CONSERVER CES INSTRUCTIONS D'INSTALLATION

(Dont le général et marques supplémentaires pour les appareils)

(Pour les luminaires LED MP D'ÉCLAIRAGE , CLASS 3402 -xx)

Général et marquages supplémentaires

1. A utiliser uniquement avec Certified / NRTL pilote, modèle _____
2. POUR EMPLACEMENTS SECS SEULEMENT

Les instructions d'installation

1. L'installation de mise à la terre doit être fait en conformité avec CEC Partie 1.
2. AVERTISSEMENT : RISQUE D'INCENDIE OU D'ÉLECTROCUTION : NE PAS FAIRE OU MODIFIER DES OUVERTURES DANS LE COMPARTIMENT DE CÂBLAGE OU DE COMPOSANTS ÉLECTRIQUES LORS DE L'INSTALLATION. NE PAS MODIFIER OU AJOUTER DES BALLASTS, OU AUTRES COMPOSANTS ÉLECTRIQUES
3. CE PRODUIT DOIT ÊTRE INSTALLÉ SELON LE CODE D'INSTALLATION PERTINENT, PAR UNE PERSONNE QUI CONNAÎT BIEN LE PRODUIT ET SON FONCTIONNEMENT AINSI QUE LES RISQUES INHÉRENTS. CONSULTER UN ÉLECTRICIEN QUALIFIÉ.
4. COUPER LE COURANT AVANT L'INSTALLATION.
5. CONSERVEZ CES INSTRUCTIONS.