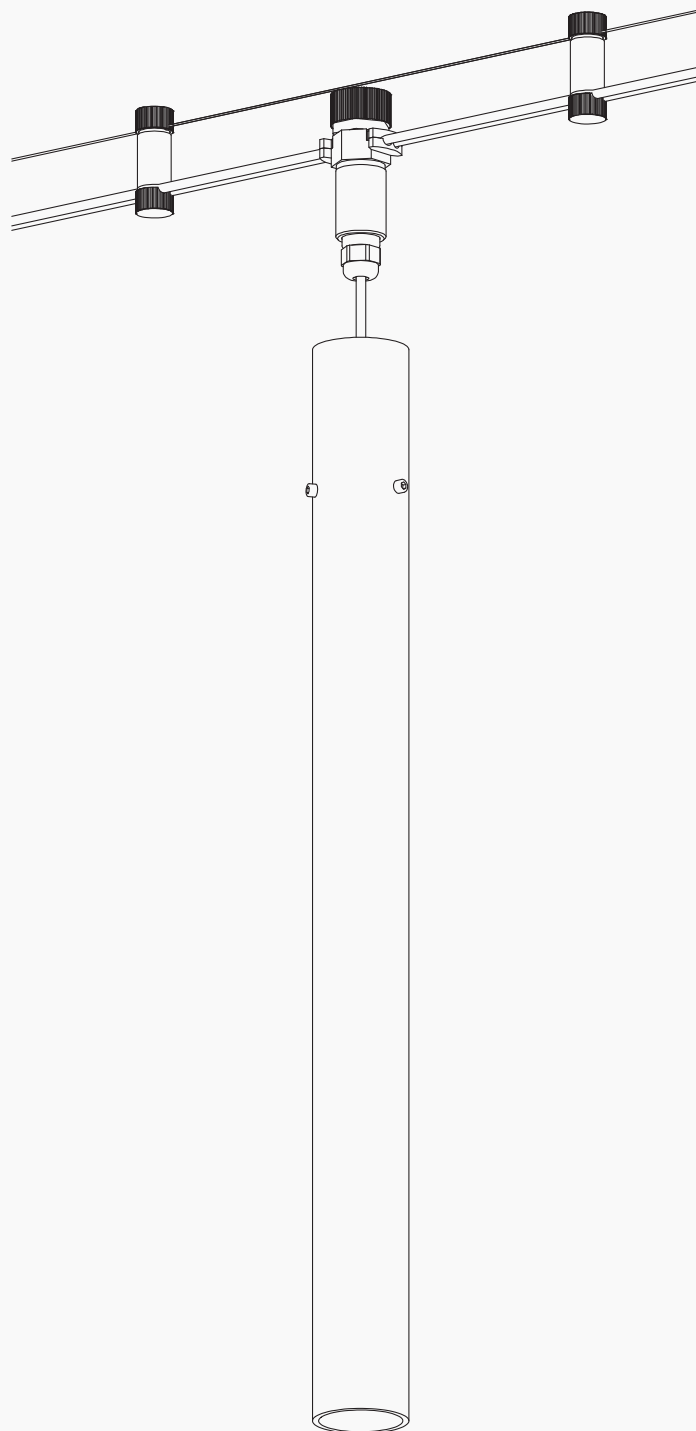


L198PS

Exterior Pendant



L198PS

Exterior Pendant

Parts

LED fixture
Turnbuckle suspension
Cable holder
Plug and Socket connector

1) Mount turnbuckle suspension to surface.

See *TBK002 installation page for details.*

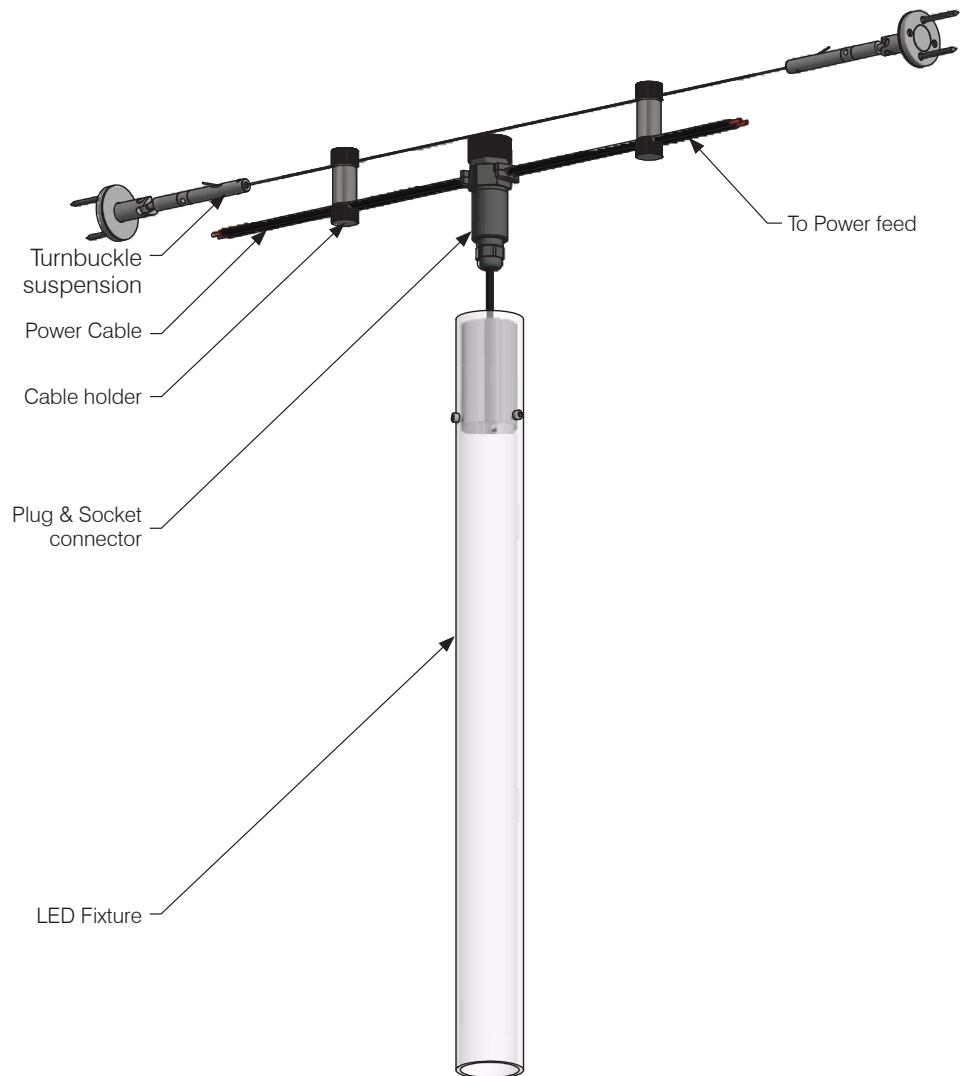
2) Mount the cable holder to allow installation of the power cable.

See *cable holder installation page for details.*

3) Install the plug and socket connector to the suspension system.

See *plug and socket installation page for details.*

Ensure fixture head is assembled before installing plug and socket.

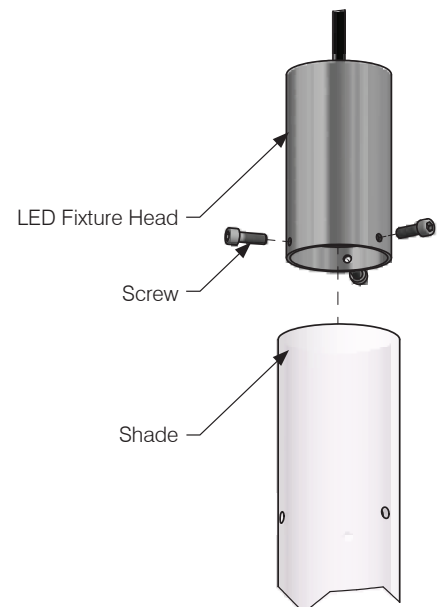


Mount Shade

1) Install shade by lifting it over the fixture and cord assembly.

2) Carefully feed each screw through the shade into the corresponding hole in the socket holder

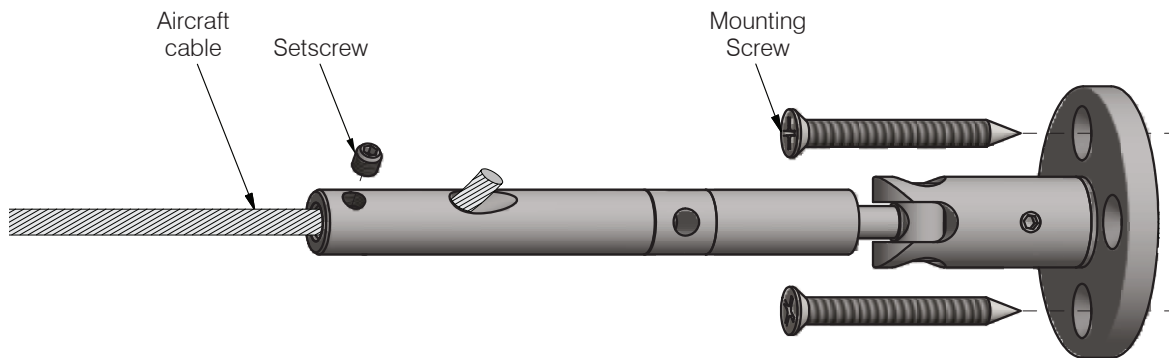
3) Tighten each screw equally, to ensure the pendant hangs plumb, **DO NOT OVER TIGHTEN SCREWS** (this may chip the edges of the glass).



L198PS

Cable System Turnbuckles

- 1) Attach turnbuckle to ceiling or wall with four mounting screws. Screws should be parallel with the direction of the cable.
- 2) Feed aircraft cable through turnbuckle.
- 3) Tighten setscrew to fasten aircraft to turnbuckle.

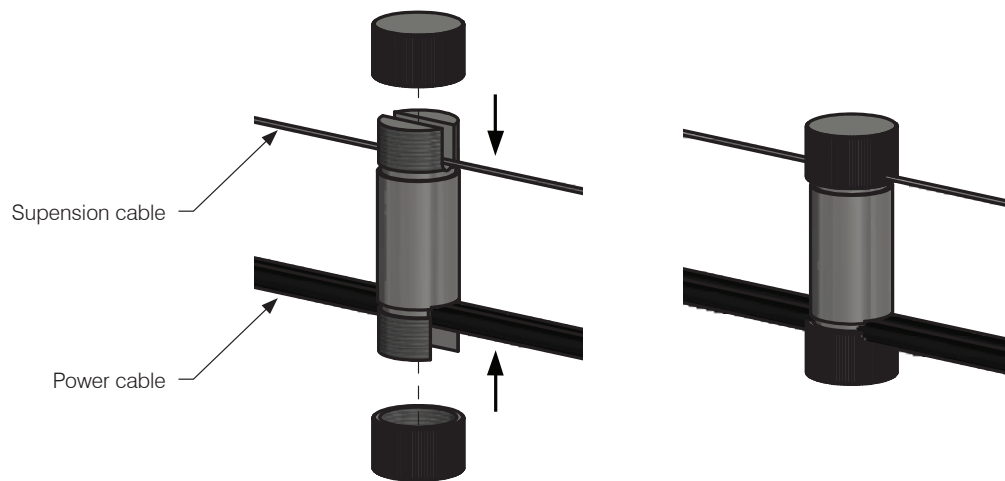
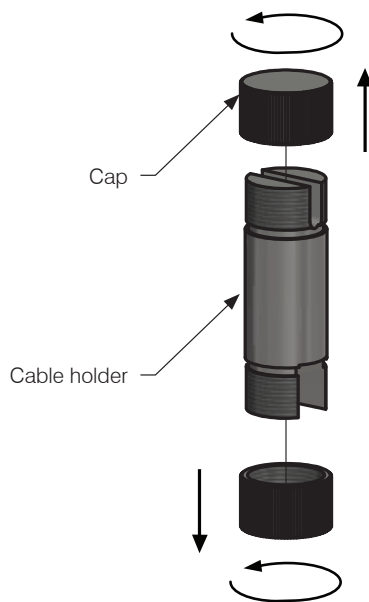


L198PS

Cable Holder Assembly

- 1) Remove top and bottom caps.
- 2) Insert suspension wire in the top slot. Insert power cable into bottom slot.
- 3) Thread top and bottom caps to secure wire and cables.

Do not over tighten caps. This may damage the insulation of the power cables.



L198PS

Plug and Socket Assembly

1) Remove upper cap and bottom connector. Loosen cable clamp to allow placement of cables

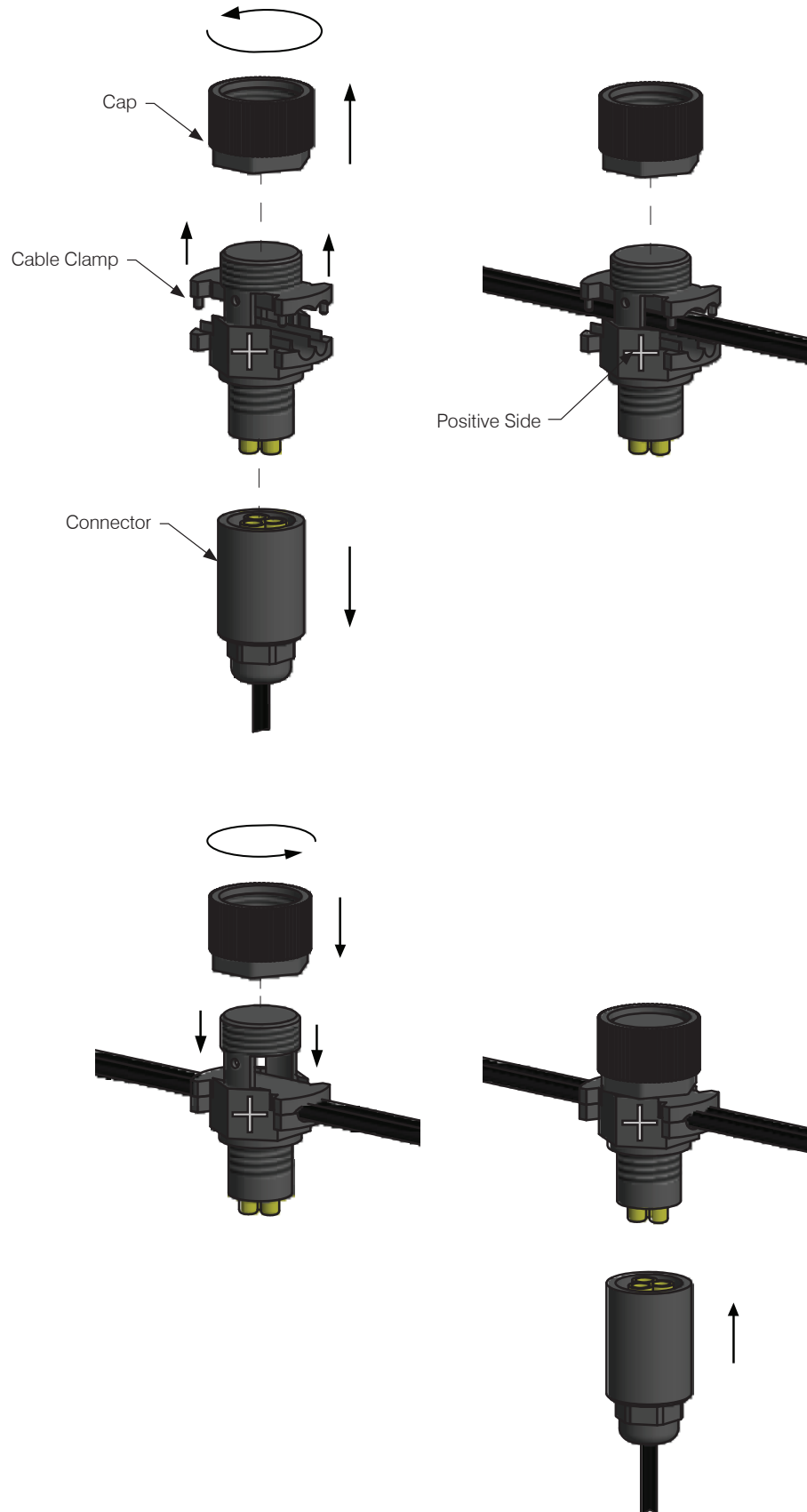
2) Place the two cables into the designated tracks of the component.

Verify diameter of cable is within recommended size. Cable diameter 6mm to 7mm, Conductor cross section 2.5mm² to 4mm².

3) Place the cable clamp back down to hold the cables. Secure by tightening upper cap. This will allow cable to be pierced correctly and guarantee the IP68 resistance.

Note: Positive symbol '+' on the side of the connector indicates the polarity of the wiring. Ensure all plug and sockets have the same orientation based on their polarity.

4) Plug in the bottom connector with the fixture assembled.



IMPORTANT SAFETY INSTRUCTIONS

KEEP THESE INSTALLATION INSTRUCTIONS

(Including General and Additional Markings for Fixtures)

(FOR MP LIGHTING LED LUMINAIRES, CLASS 3402-xx)

General and additional markings

1. For Use Only with Certified/NRTL Driver, Model _____
2. DRY LOCATIONS ONLY

Installation instructions

1. The grounding installation shall be done in accordance with CEC-Part 1.
2. WARNING: RISK OF FIRE OR ELECTRIC SHOCK: DO NOT MAKE OR ALTER ANY OPENINGS IN THE COMPARTMENT OF WIRING OR ELECTRICAL COMPONENTS DURING INSTALLATION. DO NOT ALTER OR ADD BALLASTS, OR ANY OTHER ELECTRICAL COMPONENTS.
3. INSTALLATION AND USE OF THIS FIXTURE MOUNTING ASSEMBLY REQUIRES A PERSON FAMILIAR WITH THE CONSTRUCTION AND OPERATION OF LUMINAIRE ELECTRICAL SYSTEMS AND THE HAZARD INVOLVED, IF NOT QUALIFIED, DO NOT ATTEMPT INSTALLATION. CONTACT A QUALIFIED ELECTRICIAN.
4. TURN OFF POWER BEFORE INSTALLATION.
5. KEEP THESE INSTALLATION INSTRUCTIONS.

CONSIGNES DE SÉCURITÉ IMPORTANTES

CONSERVER CES INSTRUCTIONS D'INSTALLATION

(Dont le général et marques supplémentaires pour les appareils)

(Pour les luminaires LED MP D'ÉCLAIRAGE , CLASS 3402 -xx)

Général et marquages supplémentaires

1. A utiliser uniquement avec Certified / NRTL pilote, modèle _____
2. POUR EMPLACEMENTS SECS SEULEMENT

Les instructions d'installation

1. L'installation de mise à la terre doit être fait en conformité avec CEC Partie 1.
2. AVERTISSEMENT : RISQUE D'INCENDIE OU D'ÉLECTROCUTION : NE PAS FAIRE OU MODIFIER DES OUVERTURES DANS LE COMPARTIMENT DE CÂBLAGE OU DE COMPOSANTS ÉLECTRIQUES LORS DE L'INSTALLATION. NE PAS MODIFIER OU AJOUTER DES BALLASTS, OU AUTRES COMPOSANTS ÉLECTRIQUES
3. CE PRODUIT DOIT ÊTRE INSTALLÉ SELON LE CODE D'INSTALLATION PERTINENT, PAR UNE PERSONNE QUI CONNAÎT BIEN LE PRODUIT ET SON FONCTIONNEMENT AINSI QUE LES RISQUES INHÉRENTS. CONSULTER UN ÉLECTRICIEN QUALIFIÉ.
4. COUPER LE COURANT AVANT L'INSTALLATION.
5. CONSERVEZ CES INSTRUCTIONS.