



L632

INTERIOR

Pendant System | Composed of L191 X 11

● Dry location



Ordering Information

Clear Form

Date : _____

Quantity : _____

Project : _____

Note : _____

Type : _____

Specifications

Luminaire | Example Code: L632-C17-2-W30H-C72-SI

Product	Mounting Option	Fixture Length	CCT & CRI	Cord ¹	Hardware Finish
L632	C17				
	C17 rectangular canopy: 24"X48" (610mmX1219mm)	2 2' (610mm) 4 4' (1219mm)	W22S 2200K 80+ W27H 2700K 90+ W30H 3000K 90+ W35H 3500K 90+	C72 72" (1829mm) CX custom	SI silver BK black powder coated

System Components (Ordered Separately)

Remote Driver : _____

* Consult MP Lighting Website or Factory.

Important Notes

Specification

1. **Minimum:** 6" (152mm) **Maximum:** 8' (2439mm), 1" (25mm) increments.

Warranty Notes & Disclaimer

Malfunction and damage to product due to incompatible dimming system or misuse will not be covered under warranty. Consult MP Lighting for recommended drivers. If the fixture has an option to be installed with a dimming control system, consult a dimming system manufacturer with minimum load before installing. MP Lighting reserves the right, at its sole discretion, at any time and without notice, to make design changes to any of our products. Consult MP Lighting website for most updated documentation.



L632

INTERIOR

Pendant System | Composed of L191 X 11

● Dry location



Performance | Each pendant (L191)

Wattage	Forward Current	Power Consumption Budget per fixture (including driver)	LED output (Source)	Fixture Output (Delivered)
9W (2')	350mA	10W	990 lm	264 lm
17W (4')	700mA	18W	1870 lm	527 lm

Application

Environment	Dry Location approved. IP 20.
Mounting	C17 canopy retrofit to a 4" octagonal box using the mounting plate (included)

Electrical

Power Supplies	Remote LED drivers (100-277V AC input, constant voltage output); Fixtures to be wired in parallel.
Control	On/off control Dimming: ELV or 0-10V dimming with appropriate drivers Other options (consult factory): TRIAC/MLV, DMX, DALI, Casambi, Power over Ethernet

Luminaire Construction

LED Light Source	W22S = CCT: 2200K, CRI (Ra): 80+, Colour Consistency: 3SDCM W27H = CCT: 2700K, CRI (Ra): 90+, Colour Consistency: 3SDCM W30H = CCT: 3000K, CRI (Ra): 90+, Colour Consistency: 3SDCM W35H = CCT: 3500K, CRI (Ra): 90+, Colour Consistency: 3SDCM
Standard Compliance	✓WELL standard – Feature 58: Color Quality
Weight	N/A
Material	Fixture: PMMA Hardware: Machined marine-grade aluminum
Supplied with	Standard installation housing: Comes with a canopy, mounting bracket, socket head screws (14), safety cables. Not included: mounting fasteners Cord: 72" (1829mm) cord is included. Consult factory for custom cord length.
Warranty & LED Life	5 years limited warranty Estimated useful life of LED is 50,000 hours.

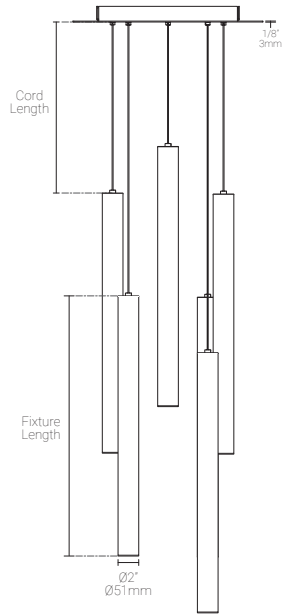
Ordered Separately

System Components	Power supplies: remote driver Please consult factory or visit Recommended Drivers for available driver options.
-------------------	---

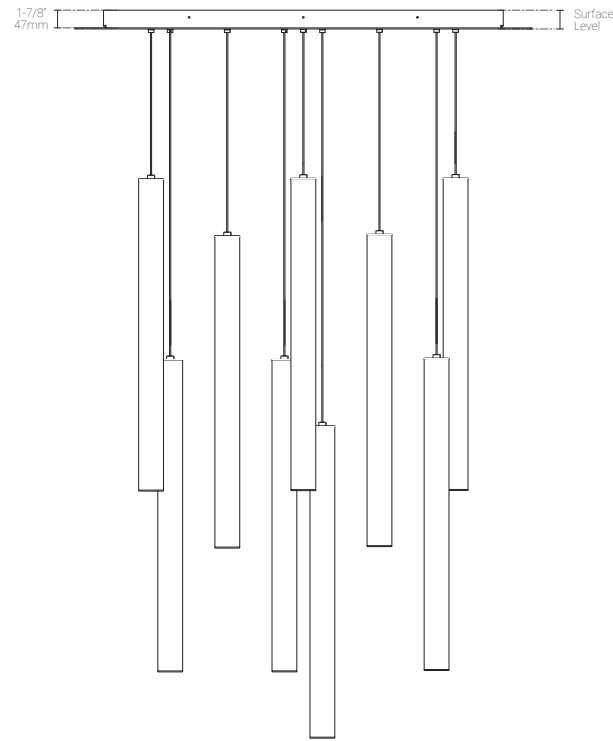
Mounting Options & Dimensions

LED Fixture Dimensions

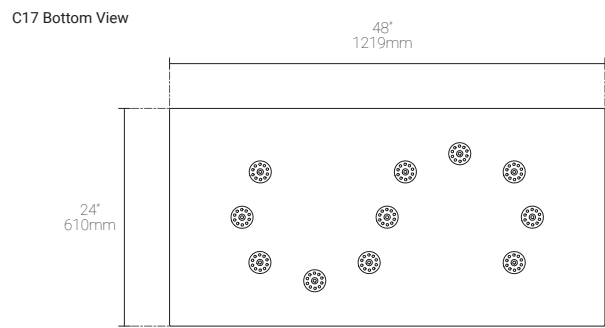
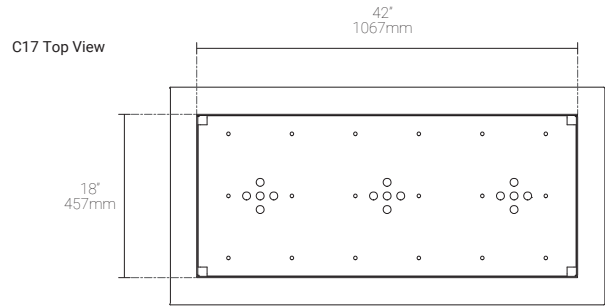
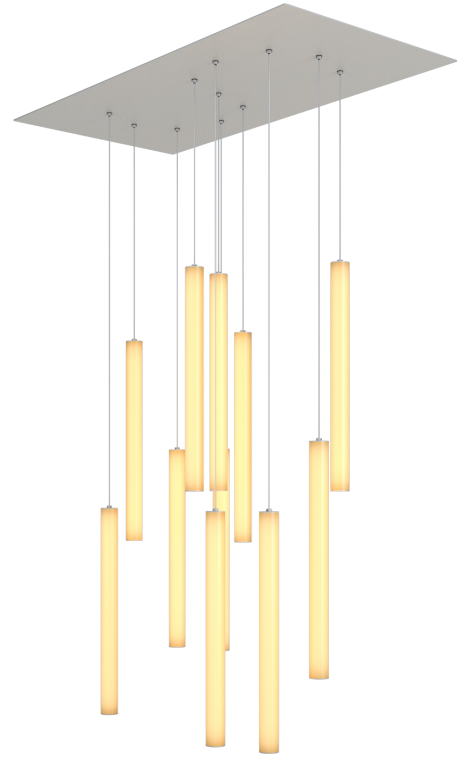
Fixture: Individual L191



Fixture: L632

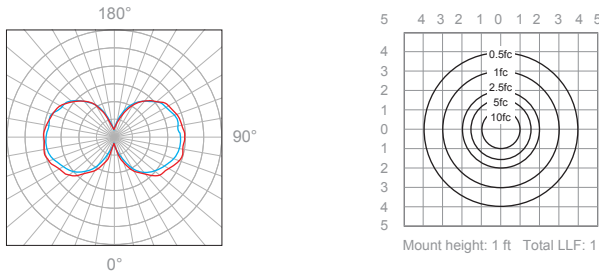


3D View



L191 | 2', 9W, 3000K, 80+ CRI

Polar Candela Distribution



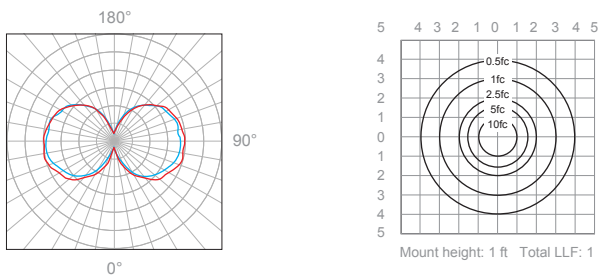
Illuminance at a Distance

Distance		Center Beam fc	Beam Width			
1.0ft	0.30m	2.25fc	0.1ft	0.03m	0.1ft	0.03m
2.0ft	0.61m	0.56fc	0.2ft	0.09m	0.2ft	0.09m
3.0ft	0.91m	0.25fc	0.3ft	0.18m	0.3ft	0.18m
4.0ft	1.22m	0.14fc	0.4ft	0.27m	0.4ft	0.27m
5.0ft	1.52m	0.09fc	0.5ft	0.37m	0.5ft	0.37m
6.0ft	1.83m	0.06fc	0.6ft	0.46m	0.6ft	0.46m

Delivered Lumen: 264.2 lm
 ■ Vertical Beam Spread: 6°
 ■ Horizontal Beam Spread: 6°

L191 | 4', 17W, 3000K, 80+ CRI

Polar Candela Distribution



Illuminance at a Distance

Distance		Center Beam fc	Beam Width			
1.0ft	0.30m	4.24fc	0.1ft	0.03m	0.1ft	0.03m
2.0ft	0.61m	1.06fc	0.2ft	0.09m	0.2ft	0.09m
3.0ft	0.91m	0.47fc	0.3ft	0.18m	0.3ft	0.18m
4.0ft	1.22m	0.27fc	0.4ft	0.27m	0.4ft	0.27m
5.0ft	1.52m	0.17fc	0.5ft	0.37m	0.5ft	0.37m
6.0ft	1.83m	0.12fc	0.6ft	0.46m	0.6ft	0.46m

Delivered Lumen: 527.8 lm
 ■ Vertical Beam Spread: 6°
 ■ Horizontal Beam Spread: 6°

Full Spectrum

— Full Spectrum — Standard Illuminant @ 3000K — Ra≥80

