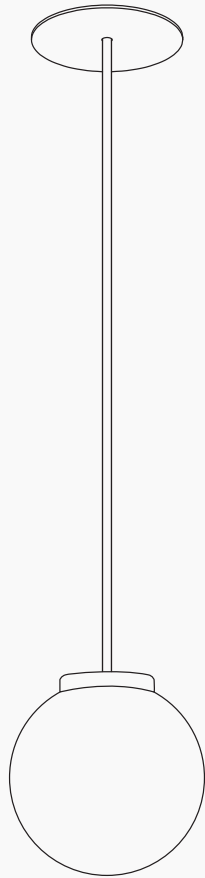


# L662C20

*Interior pendant*



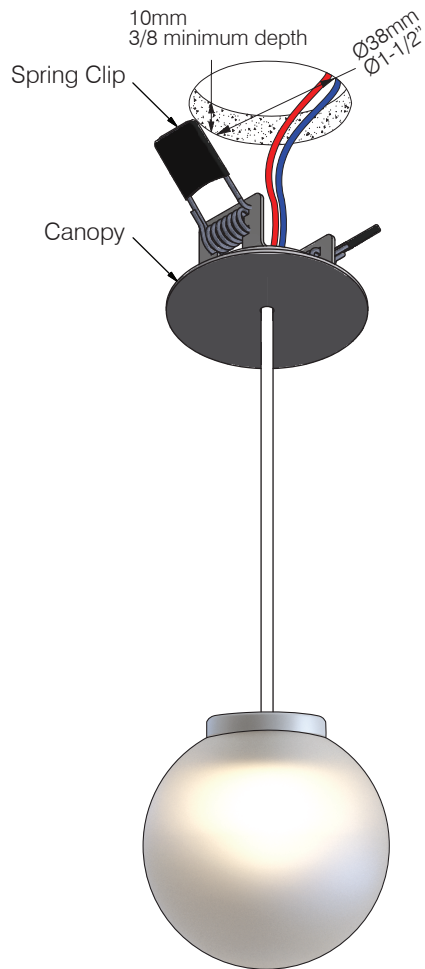
# L662C20

Interior pendant

## Parts

LED fixture  
Canopy w/ spring clip  
Wire connector x 2

- 1) Drill a  $\text{Ø}1\text{-}1/2$ " (38mm) hole.
- 2) Connect fixture wires to low voltage wiring (remote LED driver 350mA or 700mA constant current).
- 3) To mount with spring, push canopy with friction fit spring clip into  $\text{Ø}1\text{-}1/2$ " (38mm) hole until the cover is flat with the surface.



## Cleaning and Maintenance

\*Use a non-abrasive lint-free or microfiber cloth with mild soap and water.

\*CAUTION - Never use any scouring compounds or chemical cleaners such as Windex, alcohol, or other glass cleaners.

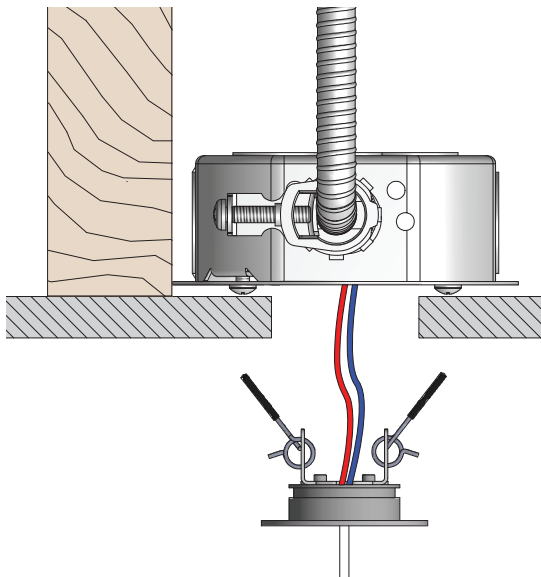
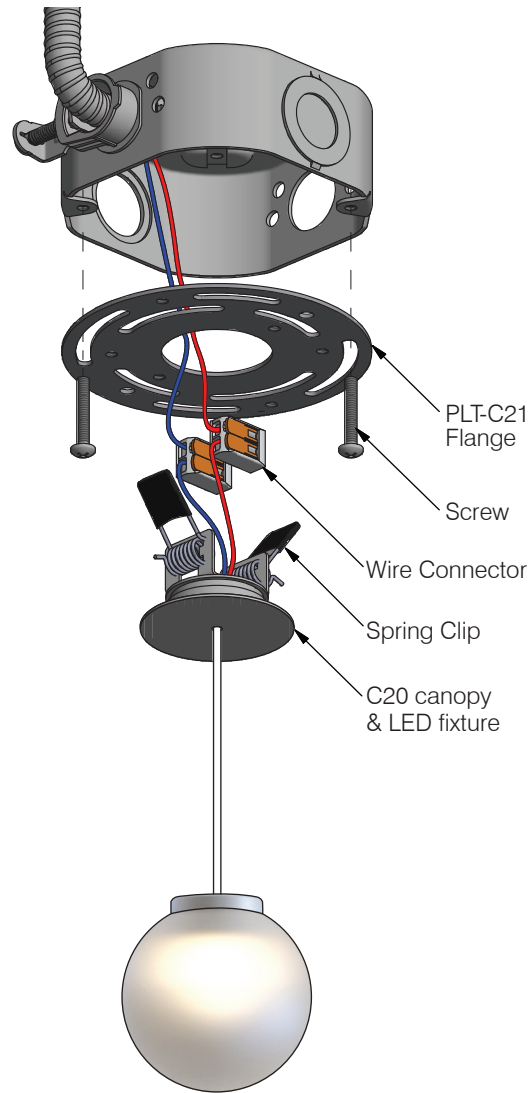
# L662C20

Interior pendant

## Parts

PLT-C21 Flange (order separately)  
LED fixture w/ spring clip  
Wire connector x 2

- 1) Mount flange to electrical box so flange is flush with the face of drywall or setback 1/8" (3mm) max. from the face of drywall.
- 2) Connect fixture wires to low voltage wiring (remote LED driver constant current). The power to the driver must be off while wiring LED fixtures to drivers. *\*Connecting LEDs to a live driver will cause LEDs to Fail.*
- 3) Cut Ø1-1/2" (Ø38mm) hole in drywall to fit fixture.
- 4) To mount with spring, push canopy with friction fit spring clip into Ø1-1/2" (38mm) hole until the cover is flat with the surface.



## Cleaning and Maintenance

\*Use a non-abrasive lint-free or microfiber cloth with mild soap and water.

\*CAUTION - Never use any scouring compounds or chemical cleaners such as Windex, alcohol, or other glass cleaners.

## IMPORTANT SAFETY INSTRUCTIONS

KEEP THESE INSTALLATION INSTRUCTIONS

(Including General and Additional Markings for Fixtures)

(FOR MP LIGHTING LED LUMINAIRES, CLASS 3402-xx)

General and additional markings

1. For Use Only with Certified/NRTL Driver, Model \_\_\_\_\_
2. DRY LOCATIONS ONLY

Installation instructions

1. The grounding installation shall be done in accordance with CEC-Part 1.
2. WARNING: RISK OF FIRE OR ELECTRIC SHOCK: DO NOT MAKE OR ALTER ANY OPENINGS IN THE COMPARTMENT OF WIRING OR ELECTRICAL COMPONENTS DURING INSTALLATION. DO NOT ALTER OR ADD BALLASTS, OR ANY OTHER ELECTRICAL COMPONENTS.
3. INSTALLATION AND USE OF THIS FIXTURE MOUNTING ASSEMBLY REQUIRES A PERSON FAMILIAR WITH THE CONSTRUCTION AND OPERATION OF LUMINAIRE ELECTRICAL SYSTEMS AND THE HAZARD INVOLVED, IF NOT QUALIFIED, DO NOT ATTEMPT INSTALLATION. CONTACT A QUALIFIED ELECTRICIAN.
4. TURN OFF POWER BEFORE INSTALLATION.
5. KEEP THESE INSTALLATION INSTRUCTIONS.

## CONSIGNES DE SÉCURITÉ IMPORTANTES

CONSERVER CES INSTRUCTIONS D'INSTALLATION

(Dont le général et marques supplémentaires pour les appareils)

(Pour les luminaires LED MP D'ÉCLAIRAGE , CLASS 3402 -xx )

Général et marquages supplémentaires

1. A utiliser uniquement avec Certified / NRTL pilote, modèle \_\_\_\_\_
2. POUR EMPLACEMENTS SECS SEULEMENT

Les instructions d'installation

1. L'installation de mise à la terre doit être fait en conformité avec CEC Partie 1.
2. AVERTISSEMENT : RISQUE D'INCENDIE OU D'ÉLECTROCUTION : NE PAS FAIRE OU MODIFIER DES OUVERTURES DANS LE COMPARTIMENT DE CÂBLAGE OU DE COMPOSANTS ÉLECTRIQUES LORS DE L'INSTALLATION. NE PAS MODIFIER OU AJOUTER DES BALLASTS, OU AUTRES COMPOSANTS ÉLECTRIQUES
3. CE PRODUIT DOIT ÊTRE INSTALLÉ SELON LE CODE D'INSTALLATION PERTINENT, PAR UNE PERSONNE QUI CONNAÎT BIEN LE PRODUIT ET SON FONCTIONNEMENT AINSI QUE LES RISQUES INHÉRENTS. CONSULTER UN ÉLECTRICIEN QUALIFIÉ.
4. COUPER LE COURANT AVANT L'INSTALLATION.
5. CONSERVEZ CES INSTRUCTIONS.