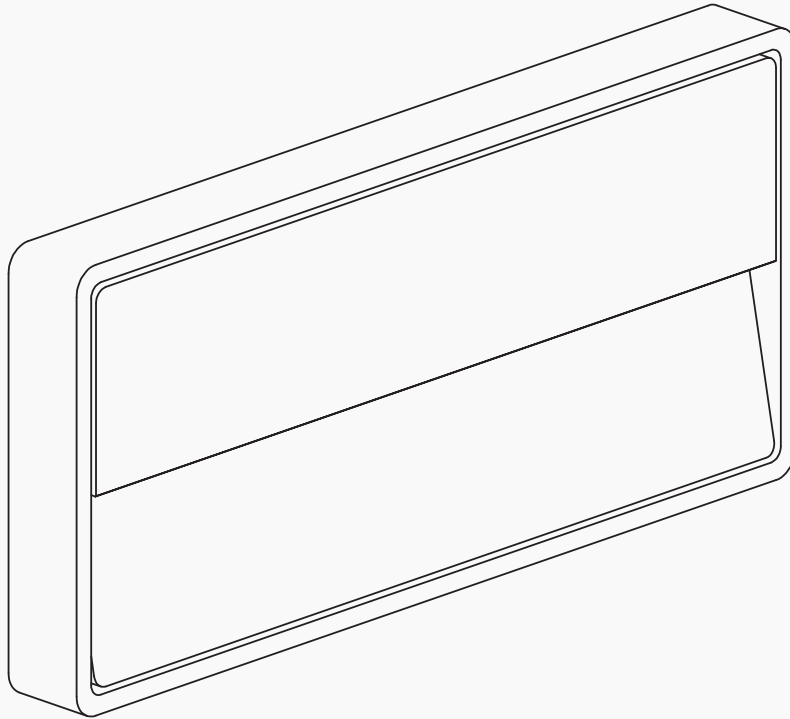


# L770

*Adjustable Wall Mount*



# L770

## Adjustable Wall Mount

### Concrete Mount Rough In

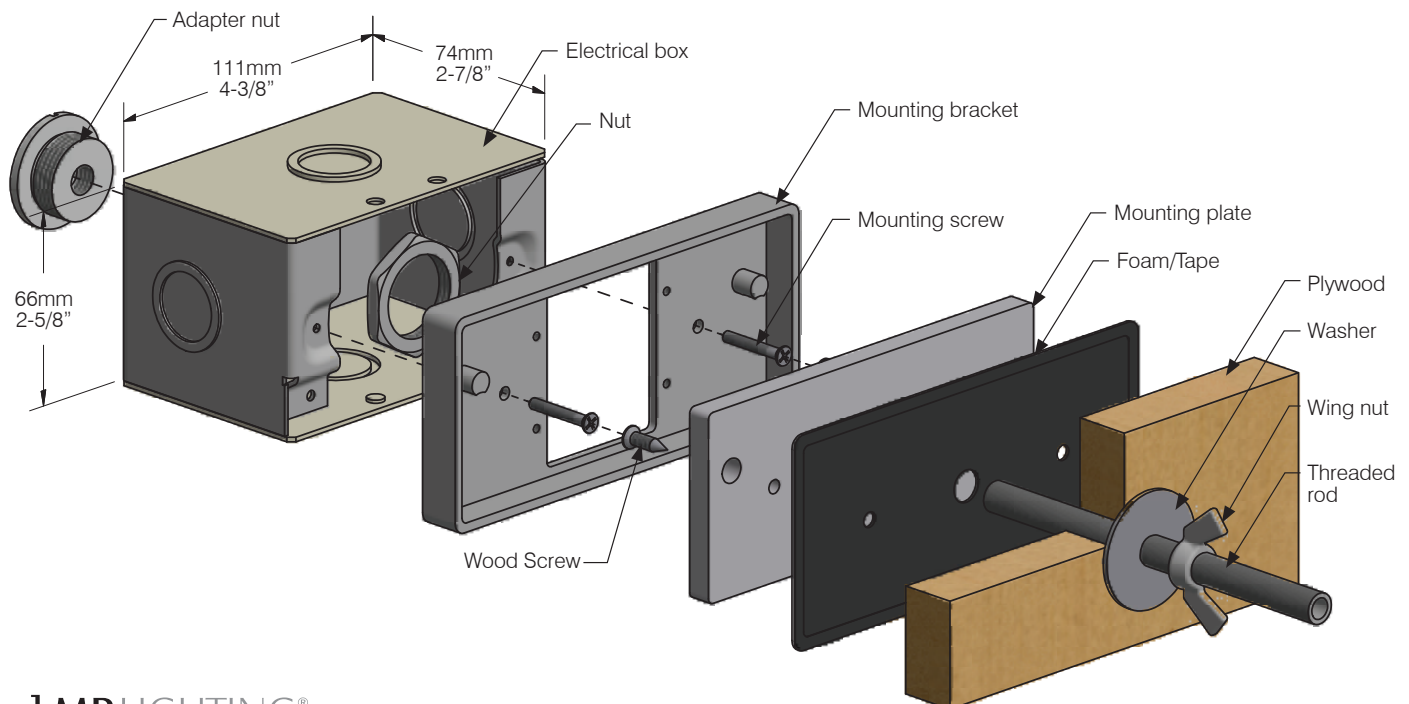
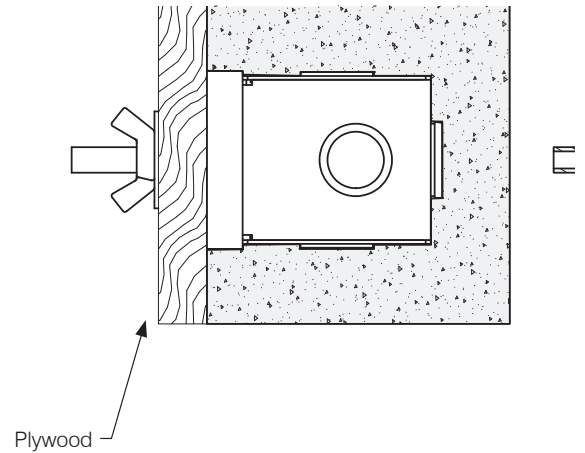
- 1) Position electrical box to ensure it is no lower than 1" (25mm) from the finished floor. Make sure it is level before concrete is poured.
- 2) Take appropriate steps to support box from collapsing and prevent concrete from entering box during concrete pour.
- 3) Secure mounting bracket onto the electrical box using mounting screws.
- 4) Attach plywood (not included) to mounting plate with the foam/tape in between using 2 wood screws (not included).
- 5) Place adapter into the knockout on the back of the electrical box. Thread nut from the inside to hold into place.
- 6) Push threaded rod through the center hole of the mounting hardware. Thread the rod into the adapter on back of the electrical box. Using washer and nut secure plywood.

### Rough In Parts

- Adapter — x 1
- Adapter nut — x 1
- Electrical box\* — x 1
- Mounting bracket — x 1
- Mounting screws — x 2
- Mounting plate — x 1
- Foam/Tape — x 1
- Plywood — not included
- Washer — x 1
- Wing nut — x 1
- 3/8" Threaded rod — x 1
- Wood screws — x 2 not included

\*Use 2-7/8" deep x 2-5/8" wide x 4-3/8" high, MP Lighting Single Gang box  
Order, Code: EBX-SGB1

Section View



# L770

Adjustable Wall Mount

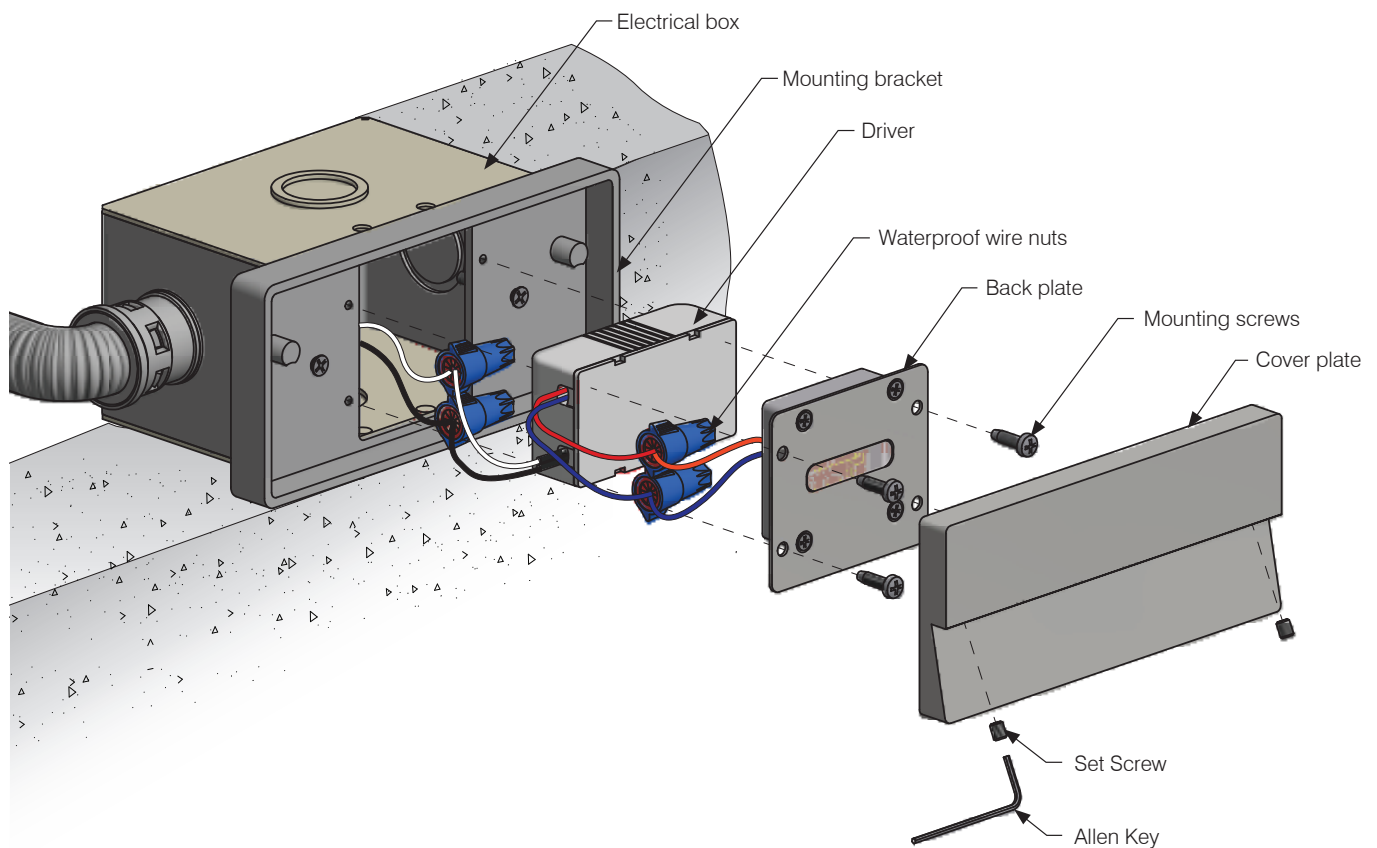
## Install Light Fixture

- 1) After concrete has cured remove mounting hardware and prepare box for fixture installation.
- 2) Connect primary to driver input wires using supplied wire nuts. Line voltage power must be off before connecting driver.
- 3) Align back plate to mounting bracket and attach with four screws (included).
- 4) Align cover plate to pins in mounting bracket. Secure by tightening two set screws with provided allen key.

## Parts

Electrical box\* — x 1  
Mounting bracket — x 1  
Waterproof wire nuts — x 2  
Back plate — x 1  
Mounting screws — x 4  
Cover plate — x 1  
Set screws — x 2  
Allen key — x 1

\*Use 2-7/8" deep x 2-5/8" wide x 4-3/8" high, MP Lighting Single Gang box  
Order, Code: EBX-SGB1



## IMPORTANT SAFETY INSTRUCTIONS

KEEP THESE INSTALLATION INSTRUCTIONS

(Including General and Additional Markings for Fixtures)

(FOR MP LIGHTING LED LUMINAIRES, CLASS 3402-xx)

General and additional markings

1. For Use Only with Certified/NRTL Driver, Model \_\_\_\_\_
2. DRY LOCATIONS ONLY or OUTDOOR USE ONLY or DRY/  
OUTDOOR USE ONLY or Outdoor / submersible Use Only - as  
indicated on fixtures
3. MIN 90 C SUPPLY CONDUCTORS
4. Model L92: SUITABLE FOR MOUNTING WITHIN 1.2 M (4FT) OF  
THE GROUND
5. Models L01, L03, L04, L05, L06, and L07: SUITABLE FOR USE IN  
POURED CONCRETE, USE ON CLASS 2 CIRCUIT ONLY
6. Models with Class 2 LED Drivers which are intended for  
installation for other than Indoor Use Only: CAUTION:  
CONNECTED ONLY TO A CIRCUIT PROTECTED BY A CLASS A  
GROUND FAULT CIRCUIT INTERRUPTER

Installation instructions

1. The grounding installation shall be done in accordance with  
CEC-Part 1.
2. WARNING: RISK OF FIRE OR ELECTRIC SHOCK: DO NOT  
MAKE OR ALTER ANY OPENINGS IN THE COMPARTMENT  
OF WIRING OR ELECTRICAL COMPONENTS DURING  
INSTALLATION. DO NOT ALTER OR ADD BALLASTS, OR ANY  
OTHER ELECTRICAL COMPONENTS.
3. INSTALLATION AND USE OF THIS FIXTURE MOUNTING  
ASSEMBLY REQUIRES A PERSON FAMILIAR WITH THE  
CONSTRUCTION AND OPERATION OF LUMINAIRE  
ELECTRICAL SYSTEMS AND THE HAZARD INVOLVED, IF NOT  
QUALIFIED, DO NOT ATTEMPT INSTALLATION. CONTACT A  
QUALIFIED ELECTRICIAN.
4. TURN OFF POWER BEFORE INSTALLATION.
5. KEEP THESE INSTALLATION INSTRUCTIONS.

## CONSIGNES DE SÉCURITÉ IMPORTANTES

CONSERVER CES INSTRUCTIONS D'INSTALLATION

(Dont le général et marques supplémentaires pour les appareils)

(Pour les luminaires LED MP D'ÉCLAIRAGE , CLASS 3402 -xx )

Général et marquages supplémentaires

1. A utiliser uniquement avec Certified / NRTL pilote, modèle \_\_\_\_\_
2. POUR EMPLACEMENTS SECS SEULEMENT ou UTILISATION  
EXTÉRIEURE SEULEMENT ou SEC / UTILISATION EXTÉRIEURE  
SEULEMENT ou extérieure / Utilisation submersible seulement -  
comme indiqué sur les appareils
3. LES FILS D'ALIMENTATION 90 °C MIN
4. Modèle L92: Pour montage moins de 1,2 m (4 pi) DE LA TERRE
5. Modèles L01, L03, L04, L05, L06, L07 et: utilisables dans le béton  
coulé, UTILISATION DE CLASSE 2 CIRCUIT UNIQUEMENT
6. ATTENTION: CONNECTED UNIQUEMENT À UN CIRCUIT  
PROTÉGÉ PAR UN DISJONCTEUR DIFFÉRENTIEL DE CLASS A

Les instructions d'installation

1. L'installation de mise à la terre doit être fait en conformité avec  
CEC Partie 1.
2. AVERTISSEMENT : RISQUE D'INCENDIE OU  
D'ÉLECTROCUTION : NE PAS FAIRE OU MODIFIER DES  
OUVERTURES DANS LE COMPARTIMENT DE CÂBLAGE OU  
DE COMPOSANTS ÉLECTRIQUES LORS DE L'INSTALLATION.  
NE PAS MODIFIER OU AJOUTER DES BALLASTS, OU AUTRES  
COMPOSANTS ÉLECTRIQUES
3. CE PRODUIT DOIT ÊTRE INSTALLÉ SELON LE CODE  
D'INSTALLATION PERTINENT, PAR UNE PERSONNE QUI  
CONNAÎT BIEN LE PRODUIT ET SON FONCTIONNEMENT  
AINSI QUE LES RISQUES INHÉRENTS. CONSULTER UN  
ÉLECTRICIEN QUALIFIÉ.
4. COUPER LE COURANT AVANT L'INSTALLATION.
5. CONSERVEZ CES INSTRUCTIONS.