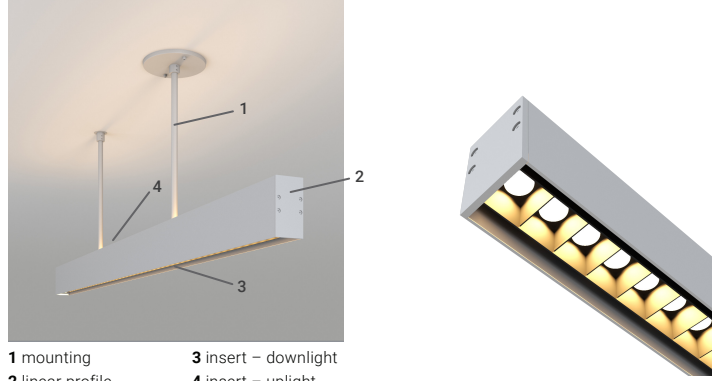


L800 series | L804-I167

INTERIOR

Linear | Linear beam series with different insert options

- Dry location



1 mounting
2 linear profile
3 insert - downlight
4 insert - uplight

Ordering Information

Clear Form

Date : _____
 Project : _____
 Type : _____

Quantity : _____
 Note : _____

Specifications

Fixture comprises of 4 components that need to be specified separately: Mounting, Rail, Uplight Insert, and Downlight Insert

Luminaire | Example Code: U-C12-BA // RAL-804-8-BA // I167-12-W35H-N-S // I107-7-W30H-W-F

COMPONENT 1 – MOUNTING (SUSPENDED)

Mounting	Stem Length or Cable Length	Finish (mounting) ^{1,2}
U		
U suspended	S12 12" (305mm) SX custom ^{1,1} C12 12" (305mm) CX custom ^{1,1}	Aluminum Finishes: MA matte clear anodized BA black anodized

COMPONENT 2 – RAIL

Rail	Fixture Length ^{2,1}	Finish (rail) ^{2,3}
RAL-804		
	1 1' (min.) X custom ^{2,2} 8 8' (max.)	Aluminum Finishes: MA matte clear anodized BA black anodized

COMPONENT 3 – INSERT (DOWNLIGHT)

Insert	Wattage	CCT & CRI	Beam Angle ^{3,1}
I167	12		
	12 12W/ft	Standard (80+) CRI: W22S 2200K 80+ High (90+) CRI: W27H 2700K 90+ W30H 3000K 90+ W35H 3500K 90+ W41H 4100K 90+	S spot, 12° N narrow flood, 30°

COMPONENT 4 – INSERT (UPLIGHT)

Insert	Wattage	CCT & CRI	Beam Angle	Lens
I107			W	
	7 7W/ft 10 10W/ft	Standard (80+) CRI: W22S 2200K 80+ High (90+) CRI: W27H 2700K 90+ W30H 3000K 90+ W35H 3500K 90+ W41H 4100K 90+	W wide flood, 120°	F frosted P prismatic

System Components (Ordered Separately)

Remote Driver : _____

* Consult MP Lighting Website or Factory.

Important Notes

Specification

- Maximum: 6' (1829mm), 1' (305mm) increments.
- Refer to Appendix/MP Lighting website for complete look of luminaire with different finish options.
- Fixture length is the length of the fixture without the end caps (3mm each cap).
- Maximum: 8' (2438mm), 1' (305mm) increments.
- Refer to Appendix/MP Lighting website for complete look of luminaire with different finish options.
- Insert and lens are slightly shorter than rail. For exact measurements, please consult factory.

Warranty Notes & Disclaimer

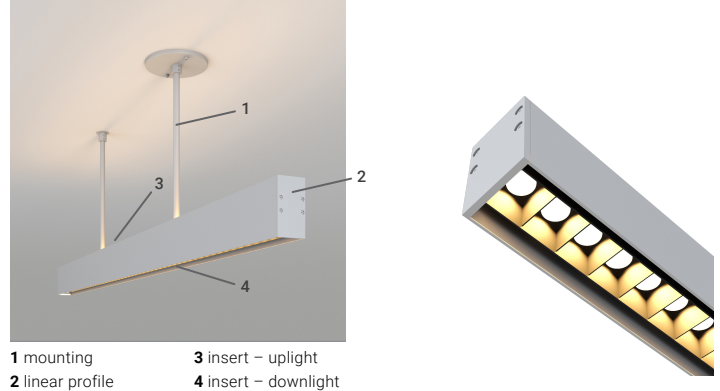
Malfunction and damage to product due to incompatible dimming system or misuse will not be covered under warranty. Consult MP Lighting for recommended drivers. If the fixture has an option to be installed with a dimming control system, consult a dimming system manufacturer with minimum load before installing. MP Lighting reserves the right, at its sole discretion, at any time and without notice, to make design changes to any of our products. Consult MP Lighting website for most updated documentation.

L800 series | L804-I167

INTERIOR

Linear | Linear beam series with different insert options

● Dry location



1 mounting
2 linear profile
3 insert - uplight
4 insert - downlight

Performance

Insert	Wattage	Forward Current	Power Consumption Budget per fixture (including driver)	LED output (Source)	Fixture Output (Delivered)
I167	12W/ft	500mA	14W/ft	1320 lm/ft	1310-1618 lm/ft

Application

Environment	Dry Location approved. IP 50.
Mounting	Suspension-mounted: Suspended from ceiling with a stand off and a canopy (both ordered separately).

Electrical

Power Supplies	Remote LED drivers (120-277V AC input, constant voltage output): Fixtures to be wired in parallel. Recommended drivers (consult factory): TLDAV100W24V04iB or TLDAV100W24V05iB.
Control	Dimming: ELV or 0-10V dimming with appropriate drivers. Other options (consult factory): TRIAC/MLV, DMX, DALI, Casambi, Power over Ethernet.

Luminaire Construction

LED Light Source	W22S = CCT: 2200K, CRI (Ra): 80+, Colour Consistency: 3SDCM W27H = CCT: 2700K, CRI (Ra): 90+, Colour Consistency: 2SDCM W30H = CCT: 3000K, CRI (Ra): 90+, Colour Consistency: 2SDCM W35H = CCT: 3500K, CRI (Ra): 90+, Colour Consistency: 2SDCM W41H = CCT: 4100K, CRI (Ra): 90+, Colour Consistency: 3SDCM
Weight	N/A.
Material	Fixture: extruded marine-grade aluminum with polycarbonate lens.
Supplied with	Cable: 3' (914mm) factory-installed wire lead (for surface mount).
Warranty & LED Life	5 years limited warranty. Estimated useful life of LED is 50,000 hours.

Ordered Separately

System Components	Power supplies: remote driver Please consult factory or visit Recommended Drivers for available driver options.
-------------------	---

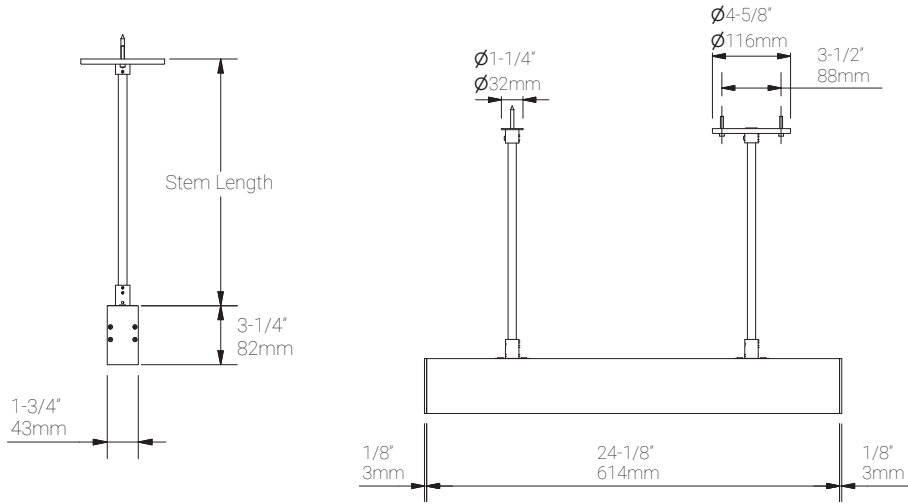
Mounting Options & Dimensions

LED Fixture Dimensions | Suspended-mount

Fixture

Side View

3D View



Appendix

Aluminum Finishes | I167



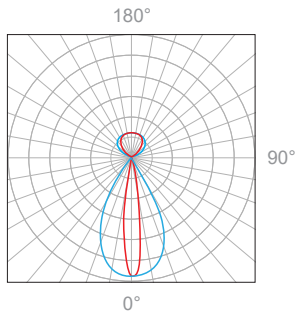
MA matte clear anodized



BA black anodized

I167, 12W/ft, 4' (1219mm), 2700K, 90+ CRI | I167, 7W/ft, 4' (1219mm), 2700K, 90+ CRI

Polar Candela Distribution



Beam Width: 12°

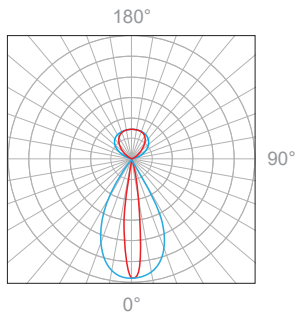


Illuminance at a Distance

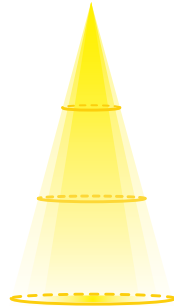
Distance		Center Beam fc	Beam Width			
3.0ft	0.91m	831fc	3.0ft	0.91m	1.0ft	0.30m
6.0ft	1.83m	208fc	6.0ft	1.83m	1.9ft	0.58m
9.0ft	2.74m	92.4fc	9.0ft	2.74m	2.9ft	0.88m
12ft	3.65m	52.0fc	12.0ft	3.65m	3.9ft	1.18m
15ft	4.57m	33.3fc	15.0ft	4.57m	4.9ft	1.49m
18ft	5.48m	23.1fc	18.0ft	5.48m	5.8ft	1.76m

Delivered Lumen: 5302.2 lm
 ■ Vertical Beam Spread : 53.0°
 ■ Horizontal Beam Spread : 18.4°

Polar Candela Distribution



Beam Width: 30°



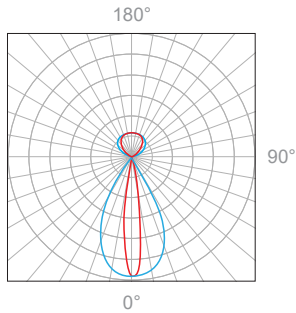
Illuminance at a Distance

Distance		Center Beam fc	Beam Width			
3.0ft	0.91m	522fc	3.2ft	0.97m	1.5ft	0.45m
6.0ft	1.83m	130fc	6.3ft	1.92m	3.0ft	0.91m
9.0ft	2.74m	58.0fc	9.5ft	2.89m	4.5ft	1.37m
12ft	3.65m	32.6fc	12.7ft	3.87m	5.9ft	1.79m
15ft	4.57m	20.9fc	15.9ft	4.84m	7.4ft	2.25m
18ft	5.48m	14.5fc	19.0ft	5.79m	8.9ft	2.71m

Delivered Lumen: 5241.8 lm
 ■ Vertical Beam Spread : 53.0°
 ■ Horizontal Beam Spread : 18.4°

I167, 12W/ft, 4' (1219mm), 2700K, 90+ CRI | I167, 10W/ft, 4' (1219mm), 2700K, 90+ CRI

Polar Candela Distribution



Beam Width: 12°

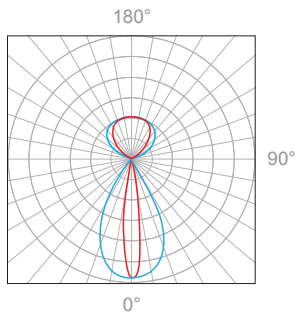


Illuminance at a Distance

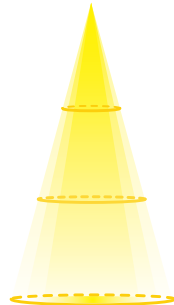
Distance		Center Beam fc	Beam Width			
3.0ft	0.91m	854fc	3.0ft	0.91m	0.9ft	0.27m
6.0ft	1.83m	214fc	6.0ft	1.83m	1.8ft	0.55m
9.0ft	2.74m	94.9fc	8.9ft	2.71m	2.8ft	0.85m
12ft	3.65m	53.4fc	11.9ft	3.62m	3.7ft	1.12m
15ft	4.57m	34.2fc	14.9ft	4.54m	4.6ft	1.40m
18ft	5.48m	23.7fc	17.9ft	5.45m	5.5ft	1.67m

Delivered Lumen: 6474.7 lm
 ■ Vertical Beam Spread : 52.8°
 ■ Horizontal Beam Spread : 17.5°

Polar Candela Distribution



Beam Width: 30°



Illuminance at a Distance

Distance		Center Beam fc	Beam Width			
3.0ft	0.91m	520fc	3.2ft	0.97m	1.5ft	0.45m
6.0ft	1.83m	130fc	6.4ft	1.95m	3.0ft	0.91m
9.0ft	2.74m	57.8fc	9.5ft	2.89m	4.5ft	1.37m
12ft	3.65m	32.5fc	12.7ft	3.87m	6.0ft	1.82m
15ft	4.57m	20.8fc	15.9ft	4.84m	7.5ft	2.28m
18ft	5.48m	14.5fc	19.1ft	5.82m	8.9ft	2.71m

Delivered Lumen: 6347.8 lm
 ■ Vertical Beam Spread : 55.8°
 ■ Horizontal Beam Spread : 27.9°