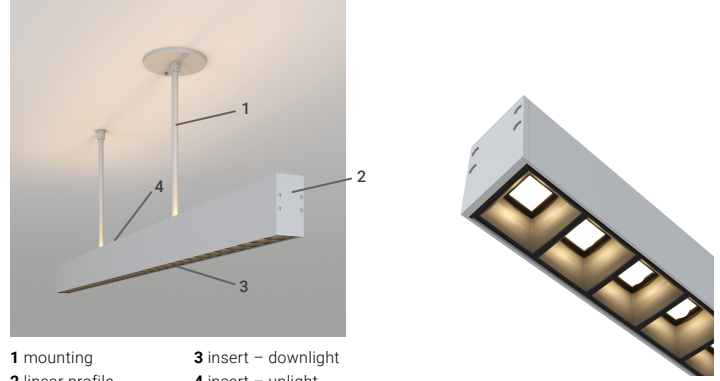


L800 series | L804-I168

INTERIOR

Linear | Linear beam series with different insert options

- Dry location



1 mounting
2 linear profile
3 insert – downlight
4 insert – uplight

Ordering Information

Clear Form

Date : _____

Project : _____

Type : _____

Quantity : _____

Note : _____

Specifications

Fixture comprises of 4 components that need to be specified separately: Mounting, Rail, Uplight Insert, and Downlight Insert
Luminaire | Example Code: U-C12-BA // RAL-804-8-BA // I168-8-W35H-F // 107-7-W30H-W-F

COMPONENT 1 – MOUNTING (SUSPENDED)

Mounting	Stem Length or Cable Length	Finish (mounting) ^{1,2}
U		
U suspended	S12 12" (305mm) SX custom ^{1,1} C12 12" (305mm) CX custom ^{1,1}	Aluminum Finishes: MA matte clear anodized BA black anodized

COMPONENT 2 – RAIL

Rail	Fixture Length ^{2,1}	Finish (rail) ^{2,3}
RAL-804		
	1 1' (min.) X custom ^{2,2} 8 8' (max.)	Aluminum Finishes: MA matte clear anodized BA black anodized

COMPONENT 3 – INSERT (DOWNLIGHT)

Insert	Wattage	CCT & CRI	Beam Angle
I168	8		
	8 8W/ft	Standard (80+) CRI: W22S 2200K 80+ High (90+) CRI: W27H 2700K 90+ W30H 3000K 90+ W35H 3500K 90+ W41H 4100K 90+	F flood, 50° W wide flood, 80°

COMPONENT 4 – INSERT (UPLIGHT)

Insert	Wattage	CCT & CRI	Beam Angle	Lens
I107			W	
	7 7W/ft 10 10W/ft	Standard (80+) CRI: W22S 2200K 80+ High (90+) CRI: W27H 2700K 90+ W30H 3000K 90+ W35H 3500K 90+ W41H 4100K 90+	W wide flood, 120°	F frosted P prismatic

System Components (Ordered Separately)

Remote Driver : _____

* Consult MP Lighting Website or Factory.

Important Notes

Specification

- Maximum: 6' (1829mm), 1' (305mm) increments.
- Refer to Appendix/MP Lighting website for complete look of luminaire with different finish options.
- Fixture length is the length of the fixture without the end caps (3mm each cap).
- Maximum: 8' (2438mm), 1' (305mm) increments.
- Refer to Appendix/MP Lighting website for complete look of luminaire with different finish options.

Warranty Notes & Disclaimer

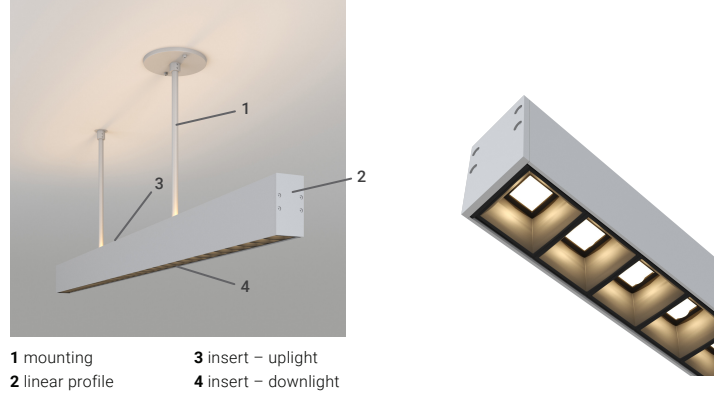
Malfunction and damage to product due to incompatible dimming system or misuse will not be covered under warranty. Consult MP Lighting for recommended drivers. If the fixture has an option to be installed with a dimming control system, consult a dimming system manufacturer with minimum load before installing. MP Lighting reserves the right, at its sole discretion, at any time and without notice, to make design changes to any of our products. Consult MP Lighting website for most updated documentation.

L800 series | L804-I168

INTERIOR

Linear | Linear beam series with different insert options

- Dry location



1 mounting
2 linear profile
3 insert – uplight
4 insert – downlight

Performance

Insert	Wattage	Forward Current	Power Consumption Budget per fixture (including driver)	LED output (Source)	Fixture Output (Delivered)
I168	8W/ft	700mA	9W/ft	880 lm/ft	1137-1451 lm/ft

Application

Environment	Dry Location approved. IP 50.
Mounting	Suspension-mounted: Suspended from ceiling with a stand off and a canopy (both ordered separately).

Electrical

Power Supplies	Remote LED drivers (120-277V AC input, constant voltage output): Fixtures to be wired in parallel. Recommended drivers (consult factory): TLDAV100W24V04iB or TLDAV100W24V05iB.
Control	Dimming: ELV or 0-10V dimming with appropriate drivers. Other options (consult factory): TRIAC/MLV, DMX, DALI, Casambi, Power over Ethernet.

Luminaire Construction

LED Light Source	W22S = CCT: 2200K, CRI (Ra): 80+, Colour Consistency: 3SDCM W27H = CCT: 2700K, CRI (Ra): 90+, Colour Consistency: 2SDCM W30H = CCT: 3000K, CRI (Ra): 90+, Colour Consistency: 2SDCM W35H = CCT: 3500K, CRI (Ra): 90+, Colour Consistency: 2SDCM W41H = CCT: 4100K, CRI (Ra): 90+, Colour Consistency: 3SDCM
Weight	N/A.
Material	Fixture: extruded marine-grade aluminum with acrylic lens.
Supplied with	Cable: 3' (914mm) factory-installed wire lead (for surface mount).
Warranty & LED Life	5 years limited warranty. Estimated useful life of LED is 50,000 hours.

Ordered Separately

System Components	Power supplies: remote driver Please consult factory or visit Recommended Drivers for available driver options.
-------------------	---

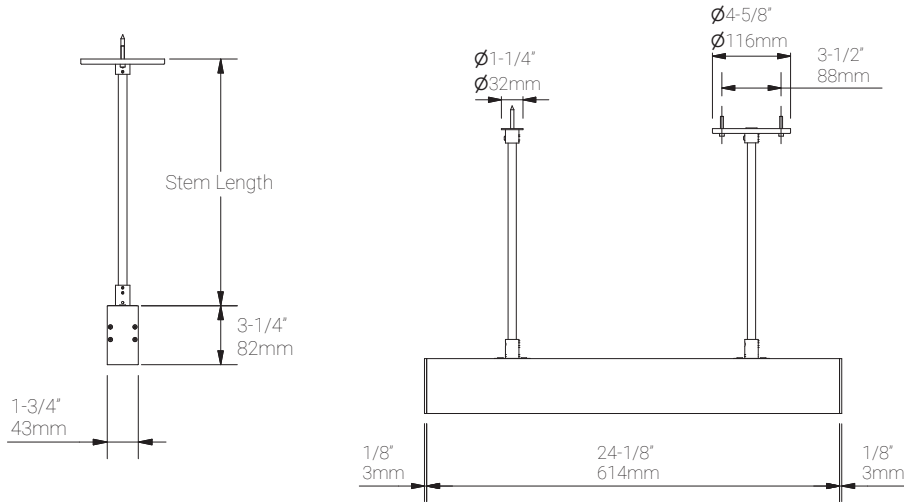
Mounting Options & Dimensions

LED Fixture Dimensions | Suspended-mount

Fixture

Side View

3D View



Appendix

Aluminum Finishes, Mounts, and Accessories | I168



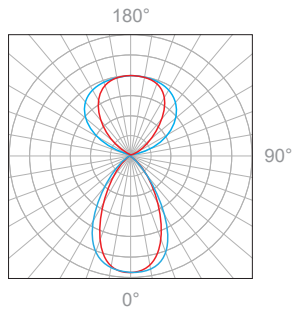
MA matte clear anodized



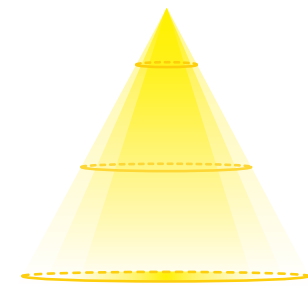
BA black anodized

I168 8W/ft, 4' (1219mm), 2700K, 90+ CRI | I107 7W/ft, 4' (1219mm), 2700K, 90+ CRI

Polar Candela Distribution



Beam Width: 50°

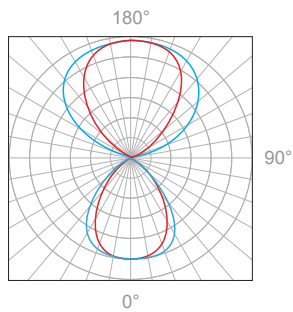


Illuminance at a Distance

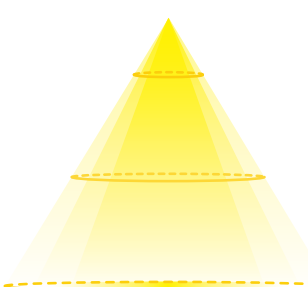
Distance		Center Beam fc	Beam Width			
3.0ft	0.91m	181fc	4.7ft	0.70m	3.6ft	1.09m
6.0ft	1.83m	45.3fc	9.3ft	2.83m	7.2ft	2.19m
9.0ft	2.74m	20.1fc	14.0ft	4.26m	10.8ft	3.29m
12ft	3.65m	11.3fc	18.7ft	5.70m	14.4ft	4.39m
15ft	4.57m	7.25fc	23.3ft	7.10m	18.0ft	5.48m
18ft	5.48m	5.03fc	28.0ft	8.53m	21.6ft	6.58m

Delivered Lumen: 4706.4 lm
 ■ Vertical Beam Spread : 75.7°
 ■ Horizontal Beam Spread : 62.0°

Polar Candela Distribution



Beam Width: 80°



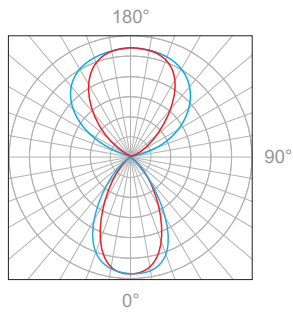
Illuminance at a Distance

Distance		Center Beam fc	Beam Width			
3.0ft	0.91m	113fc	2.1ft	0.64m	4.8ft	1.46m
6.0ft	1.83m	28.1fc	4.2ft	1.28m	9.6ft	2.92m
9.0ft	2.74m	12.5fc	6.3ft	1.92m	14.4ft	4.39m
12ft	3.65m	7.03fc	8.4ft	2.56m	19.2ft	5.85m
15ft	4.57m	4.50fc	10.5ft	3.20m	24.0ft	7.31m
18ft	5.48m	3.13fc	12.6ft	3.84m	28.8ft	8.77m

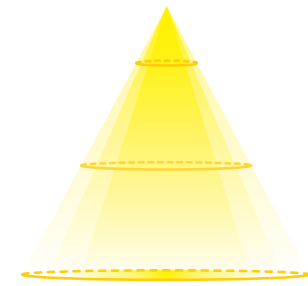
Delivered Lumen: 4551.4 lm
 ■ Vertical Beam Spread : 38.5°
 ■ Horizontal Beam Spread : 77.4°

I168 8W/ft, 4' (1219mm), 2700K, 90+ CRI | I107 10W/ft, 4' (1219mm), 2700K, 90+ CRI

Polar Candela Distribution



Beam Width: 50°

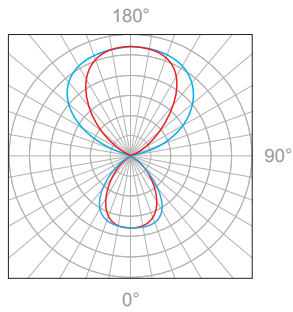


Illuminance at a Distance

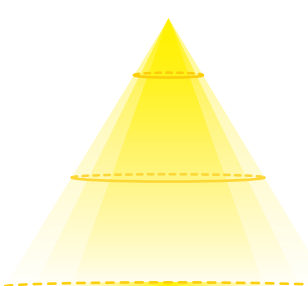
Distance		Center Beam fc	Beam Width			
3.0ft	0.91m	181fc	4.7ft	0.70m	3.6ft	1.09m
6.0ft	1.83m	45.3fc	9.3ft	2.83m	7.2ft	2.19m
9.0ft	2.74m	20.1fc	14.0ft	4.26m	10.8ft	3.29m
12ft	3.65m	11.3fc	18.7ft	5.70m	14.4ft	4.39m
15ft	4.57m	7.25fc	23.3ft	7.10m	18.0ft	5.48m
18ft	5.48m	5.04fc	28.0ft	8.53m	21.6ft	6.58m

Delivered Lumen: 5803.7 lm
 ■ Vertical Beam Spread : 75.7°
 ■ Horizontal Beam Spread : 62.0°

Polar Candela Distribution



Beam Width: 80°



Illuminance at a Distance

Distance		Center Beam fc	Beam Width			
3.0ft	0.91m	113fc	5.3ft	1.61m	5.3ft	1.61m
6.0ft	1.83m	28.1fc	10.5ft	3.20m	10.5ft	3.20m
9.0ft	2.74m	12.5fc	15.8ft	4.81m	15.8ft	4.81m
12ft	3.65m	7.03fc	21.1ft	6.43m	21.1ft	6.43m
15ft	4.57m	4.50fc	26.4ft	8.04m	26.4ft	8.04m
18ft	5.48m	3.13fc	31.6ft	9.63m	31.6ft	9.63m

Delivered Lumen: 5685.3 lm
 ■ Vertical Beam Spread : 82.6°
 ■ Horizontal Beam Spread : 82.6°