

PIPE-B-CORNER

EXTERIOR

PVC Pipe Connector | For landscaping

- Wet, Damp, and Dry location



Ordering Information

Clear Form

Date : _____

Quantity : _____

Project : _____

Note : _____

Type : _____

Specifications

PVC Pipe Connector | Example Code: PIPE-B-CORNER

Product ¹

PIPE-B-CORNER

System Components (Ordered Separately)

Back Box : _____

* Please refer to Appendix for more information.

Important Notes

Specification

1. Connects PIPE-B's.

Application

Environment	Dry / Damp / Wet Location approved.
Mounting	Designed to be mounted to electrical and/or landscape pipes. Field cuttable. Compatible with couplings for standard 1-1/2" PVC pipe (outer diameter 1-5/8", schedule 40 and furniture grade pvc pipes).
Compatible Fixtures	In-grade: L370, L372 & L379. PIPE-B recommended.

Product Construction

Weight	NA
Material	White PVC, UV stabilized

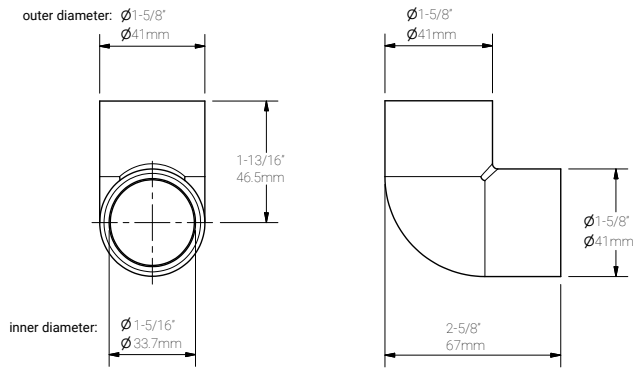
Mounting Options & Dimensions

Pipe Corner Dimensions

Diameter

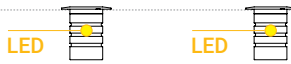
Length

3D View



Compatible Fixtures

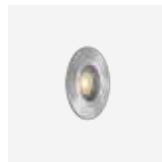
In-grade



Regular Beam



L370 ●



L379 ●



Half-Shielded



L372 ●