

# SDF045

## INTERIOR

Dual Circuit | Wall mount rail standoff

- Dry location



### Ordering Information

Clear Form

Date : \_\_\_\_\_

Project : \_\_\_\_\_

Type : \_\_\_\_\_

Quantity : \_\_\_\_\_

Note : \_\_\_\_\_

### Specifications

Wall mount rail standoff | Example Code: SDF045-12-MC

Product	Offset	Finish
SDF045	12 12" (305mm) X custom	MC matte chrome

### Important Notes

#### Specification

1. Refer to Appendix or MP Lighting website for track system with different finish options.

### Application

Environment	Dry Location approved. IP 20.
Mounting	For Dual Circuit Wall Mounting. Suggested spacing: 1" (305mm) from ends and 3" (914mm) on center.
Compatible Fixtures	L225M, L72, L73, P02, P11, P96, P96L, X01, X06, X31, X42, X45, X51.

### Electrical

Electrical	N/A
------------	-----

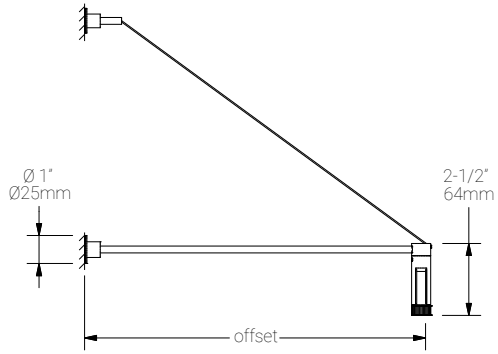
### Construction

Weight	N/A
Material	Machined aluminum with electroplated finish.

## Mounting Options & Dimensions

### Dimensions

Side View



3D View



## Appendix



MC matte chrome