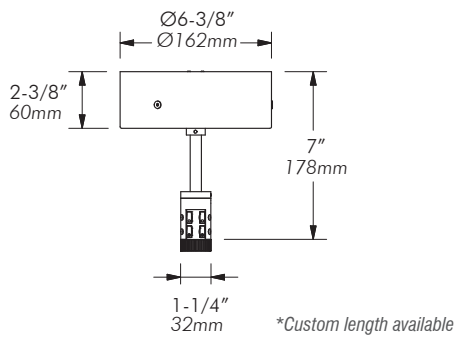


TLW120E150-DC4C TLW120E150-DC7C

Dual Circuit Rail Electronic Surface Mount Transformer



Material: Steel case and copper tube with electroplated finish

Mounting: Surface mounts to standard J-box.

Electrical: 100% Duty cycle. Auto reset circuit protection. Can only be used on MP cable system. Stem can be used as a cable support. Can be dimmed using electronic low voltage dimmers (i.e. Lutron Diva).

AC Input Voltage:	120V, 60Hz
DC Output Voltage:	12V
Output Wattage:	150W Max. (TLW120E150-DC4C) 150W Max. (TLW120E150-DC7C)
Maximum Load:	Depends on wattage of fixture
Power Factor:	95% Min
Typical Efficiency:	80%
Short Circuit Protection:	Yes
Overload Protection:	Yes
Operating Temperature:	-10~50°C (14~122°F)
Maximum Case Temperature:	65°C (149°F)
Humidity (Non-Condensing):	5%~95%
Weight:	3lb / 1.4kg
Approval:	Dry locations. Approved to UL standards by CSA/US.



Type:
Project:

Modified:

Quantity:
Notes:

CODE	WATTAGE	MOUNT	OFFSET	CANOPY	FINISH
TLW120E	- 150	DC		C	
	150 = 150W	DC = dual circuit rail	4 = 4"/102mm from ceiling to bottom of cable 7 = 7"/178mm X = custom length	C = circular	MC = matte chrome BN = brushed nickel