

Specification Sheet

# TLW120E150-02

Remote Electronic Transformer



**Features:**

- Moisture and Shock Resistant
- Emits No Audible Noise
- Low Harmonic Distortion
- Works with most commercially available dimmers. Hardwire electronic dimmers are recommended for optimum performance

**AC Input Voltage:** 120V, 60Hz 1.25A

**DC Output Voltage:** 12V

**Output Wattage:** 150W Max

**Short Circuit Protection:** Yes

**Overload Protection:** Yes

**Thermal Protection:** Yes

**Dimming Function:** Yes

**Maximum Case Temperature:** 80°C (176°F)

**Operating Humidity:** 95% relative humidity, non-condensating

**Case Material:** Non Conductive Black Plastic

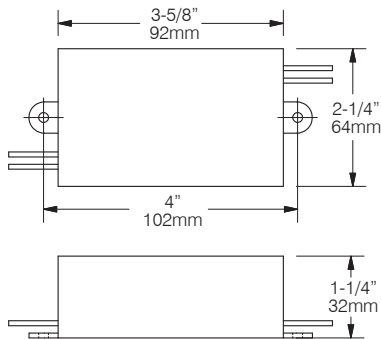
**Weight:** 0.31lbs (142g).

**Approval:** UL / C-UL

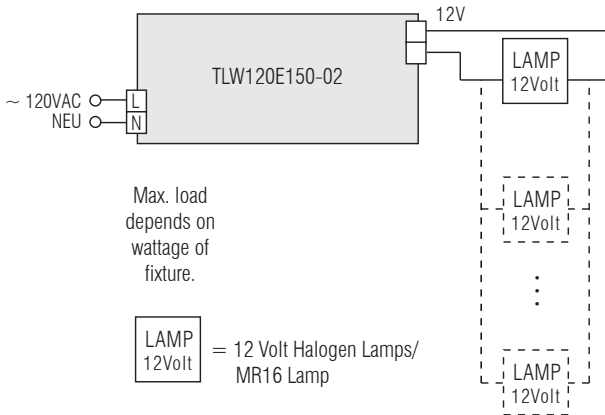


**Note: Consult factory for maximum wiring length.**

Dimension:



Driver Diagram:



ORDER CODE

**TLW120E150-02**

[ Project ]

[ Quantity ]

[ Notes ]



t 604.708.1184 f 604.708.1185 www.mplighting.com  
16 West 4th Avenue, Vancouver BC, Canada, V5Y 1G3