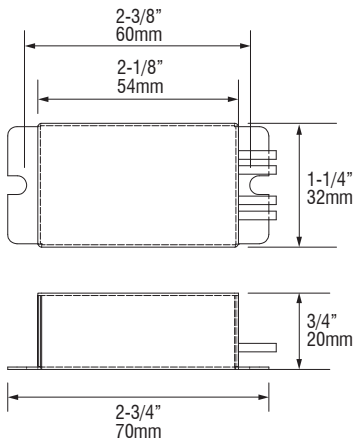


TLW120E75

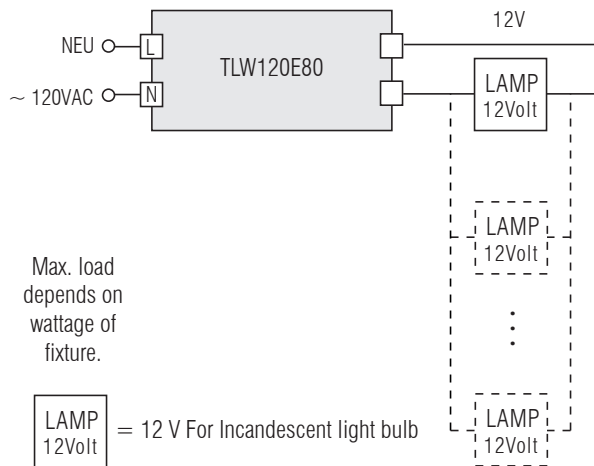
REMOTE ELECTRONIC TRANSFORMER



Dimension:



Driver Diagram:



Features:

- Operate Multiple MR16 & MR11 Lamps
- Short Circuit, Overload & Thermal Protection
- Solid State Electronics

AC Input Voltage:	120V ± 10%, 50/60Hz
AC Output Voltage:	12V
AC Output Current:	0.6AMP
Output Wattage:	75W
Short Circuit Protection:	Yes
Overload Protection:	Yes
Thermal Protection:	Yes
Dimming Function:	Yes
Maximum Case Temperature:	50°C (122°F)
Case Material:	Aluminum, Waterproof Potting
Weight:	74g (0.16lb)
Approval:	UL recognized



Note: Consult factory for maximum wiring length.

ORDER CODE

TLW120E75

[Project]

[Quantity]

[Notes]

