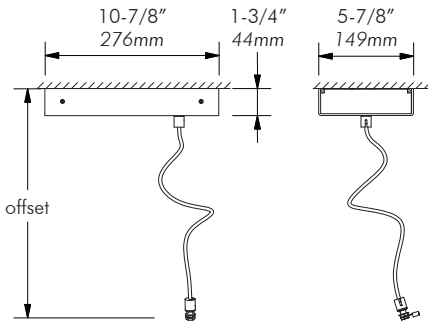


TLW120E150-CS15AF

Cable System Electronic Surface Mount Transformer



Material: Steel case and copper tube with electroplated finish

Mounting: Surface mounts to standard J-box.

Electrical: 100% Duty cycle. Auto reset circuit protection. Can only be used on MP cable system. Flexible power feed - cannot be used as cable support. Can be dimmed using electronic low voltage dimmers (i.e. Lutron Diva).

AC Input Voltage:	120V, 60Hz
DC Output Voltage:	12V
Output Wattage:	150W Max. (TLW120E150-CS15AF)
Maximum Load:	Depends on wattage of fixture
Power Factor:	95% Min
Typical Efficiency:	80%
Short Circuit Protection:	Yes
Overload Protection:	Yes
Operating Temperature:	-10~50°C (14~122°F)
Maximum Case Temperature:	65°C (149°F)
Humidity (Non-Condensing):	5%~95%
Weight:	3lb / 1.4kg
Approval:	Dry locations. Approved to UL standards by CSA/US.



Type:
Project:

Modified:

Quantity:
Notes:

CODE	WATTAGE	MOUNT	OFFSET	CANOPY	FINISH
TLW120E	- 150	CS		AF	-
	150 = 150W	CS = cable system	15 = 15" (381mm) X = custom length	AF = rectangular canopy with flexible power feed	MC = matte chrome BN = brushed nickel