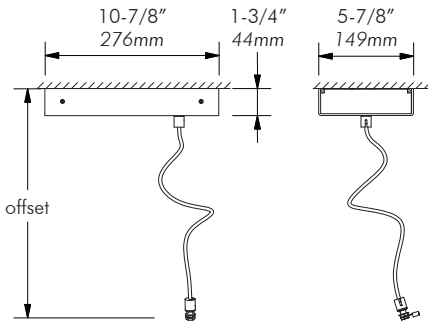


# TLW120E150-SR15AF

Single Rail Electronic Surface Mount Transformer



**Material:** Steel case and copper tube with electroplated finish  
**Mounting:** Surface mounts to standard J-box.  
**Electrical:** 100% Duty cycle. Auto reset circuit protection. Can only be used on MP cable system. Flexible power feed - cannot be used as cable support. Can be dimmed using electronic low voltage dimmers (i.e. Lutron Diva).

**AC Input Voltage:** 120V, 60Hz  
**DC Output Voltage:** 12V  
**Output Wattage:** 150W Max. (TLW120E150-SR15AF)  
**Maximum Load:** Depends on wattage of fixture  
**Power Factor:** 95% Min  
**Typical Efficiency:** 80%  
**Short Circuit Protection:** Yes  
**Overload Protection:** Yes  
**Operating Temperature:** -10~50°C (14~122°F)  
**Maximum Case Temperature:** 65°C (149°F)  
**Humidity (Non-Condensing):** 5%~95%  
**Weight:** 3lb / 1.4kg  
**Approval:** Dry locations. Approved to UL standards by CSA/US.



Type:  
 Project:  
 Modified:  
 Quantity:  
 Notes:

CODE	WATTAGE	MOUNT	OFFSET	CANOPY	FINISH
TLW120E	150	SR		AF	
	150 = 150W	SR = single rail	15 = 15" (381mm) X = custom length	AF = rectangular canopy with flexible power feed	MC = matte chrome BN = brushed nickel