

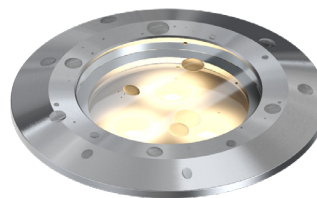
U05

UNDERWATER: CHLORINATED WATER, FRESH WATER & SEA WATER
 In-grade | Submersed under water up to 10' (3m) depth.

- Underwater/Swimming Pool/Natatorium Certified

CSA - CLASS 3425 09 -Submersible

CSA - CLASS 3425 89 -Submersible - Certified to US Standards



Ordering Information

Clear Form

Date :	_____	Quantity :	_____
Project :	_____	Note :	_____
Type :	_____		_____

Specifications

Luminaire | Example Code: U05-7-W30H-N-C-HM2-0-MK1-B-12-S6

Product	Version	CCT & CRI ¹	Beam Angle	Lens	Accessories ² (optional)	Internal Angle Bracket ³	Mounting Kit ⁴ (optional)	Flange & Back Box	Lead Length ⁵	Trim Finish
U05										S6
	3 1Wx3 7 2.5Wx3	W22S 2200K 80+ W27H 2700K 90+ W30H 3000K 90+ W35H 3500K 90+ W41H 4100K 90+	S spot 12° N narrow flood 30° F flood 60°	C clear F frosted	HM2 hex louver, matte anodized HB2 hex louver, black anodized AB2 angled louver, black anodized SB2 straight louver, black anodized QB2 square louver, black anodized RB2 ring louver, black anodized NB2 narrow louver, black	0 no angle 30 30° angle X custom	MK1 vertical surface	B back box F flange only	15 15' (4572mm) X custom	Stainless Steel Finishes: S6 stainless steel 316

System Components (Ordered Separately)

Pool-certified power supply : _____

* Consult MP Lighting Website or Factory.

Important Notes

Specification

1. Refer to pg.2 - for Colour Consistency details.
2. With NB2 option, Beam Angle and Angle Bracket cannot be selected.
3. Internal angle bracket is factory set, and cannot be field adjusted. 5° increments to maximum of 30° without accessories. Maximum 15° angle with accessories.
4. Mounting kit is ordered separately. Please consult factory.
5. Custom length available by 1' increments.

Warranty Notes & Disclaimer

Malfunction and damage to product due to incompatible dimming system or misuse will not be covered under warranty. Consult MP Lighting for recommended drivers. If the fixture has an option to be installed with a dimming control system, consult a dimming system manufacturer with minimum load before installing. MP Lighting reserves the right, at its sole discretion, at any time and without notice, to make design changes to any of our products. Consult MP Lighting website for most updated documentation.

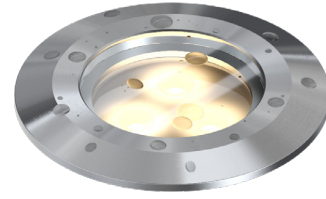
U05

UNDERWATER: CHLORINATED WATER, FRESH WATER & SEA WATER
 In-grade | Submersed under water up to 10' (3m) depth.

- Underwater/Swimming Pool/Natatorium Certified

CSA - CLASS 3425 09 -Submersible

CSA - CLASS 3425 89 -Submersible - Certified to US Standards



Performance

Wattage	Supply Voltage	Power Consumption Budget per fixture (including driver)	LED output (Source)	Fixture Output (Delivered)
3W	12V	3.6W	330 lm	117-173 lm
7.5W	12V	8.0W	825 lm	189-275 lm

Application

Environment	Dry / Damp / Wet/ Underwater Location approved. IP 68.
Mounting	Recessed: Designed to be cast into earth, gravel, or concrete for submersed applications. MK1 mounting kit (optional): Recommended for easy installation on vertical surfaces (e.g. stair risers, walls), and downward-facing surfaces (e.g. ceilings, soffits). See "Mounting Options & Dimensions," or visit MK1

Electrical

Power Supplies	Compatible with remote pool-certified power supplies
Control	On/off control

Luminaire Construction

LED Light Source	W22S = CCT: 2200K, CRI (Ra): 80+, Colour Consistency: 3SDCM W27H = CCT: 2700K, CRI (Ra): 90+, Colour Consistency: 2SDCM W30H = CCT: 3000K, CRI (Ra): 90+, Colour Consistency: 2SDCM W35H = CCT: 3500K, CRI (Ra): 90+, Colour Consistency: 3SDCM (Contact factory for 2SDCM option) W41H = CCT: 4100K, CRI (Ra): 90+, Colour Consistency: 3SDCM
Weight	N/A
Material	Fixture: Stainless steel (316) with tempered glass
Supplied with	Standard installation housing: Comes with a 304 stainless steel square back box, an brass/stainless steel 316 flange, an integral leveling device, a plastic cap, and silicone grease. Wire lead: 15' (4572mm)
Warranty & LED Life	5 years limited warranty Estimated useful life of LED is 50,000 hours.

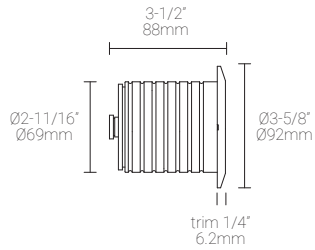
Ordered Separately

System Components	Power supplies: remote power supply Please consult factory or visit Recommended Drivers for available driver options. Mounting kits: MK1
-------------------	--

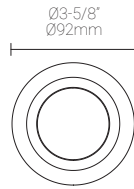
Mounting Options & Dimensions

LED Insert Dimensions

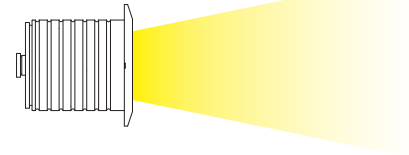
Fixture



Top View

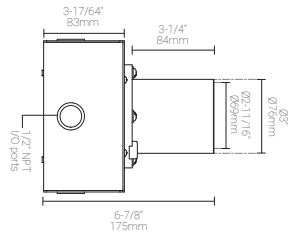


3D View

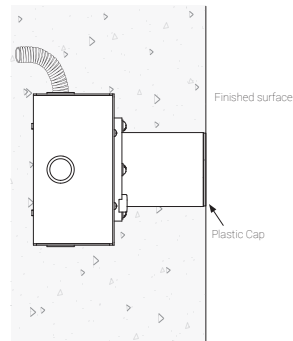


In-ground Installation (shown with MP Lighting Back Box | Order Code: EBX-SQR1-DSBR)

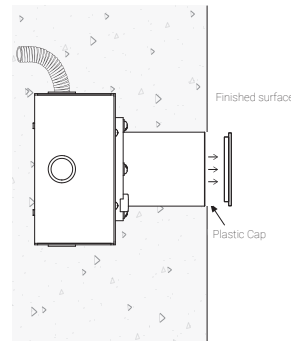
Box with Standard Flange



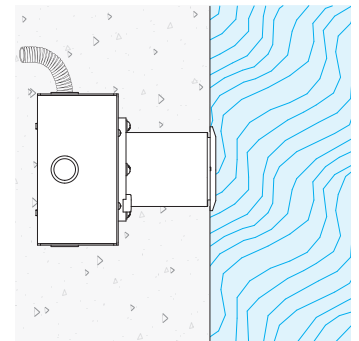
Box with Standard Flange:
During Concrete Installation



Box with Standard Flange:
During Concrete Installation



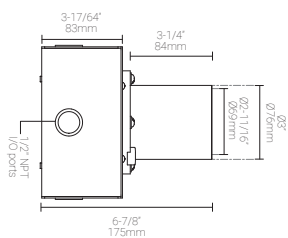
Box with Standard Flange:
Complete Concrete Installation



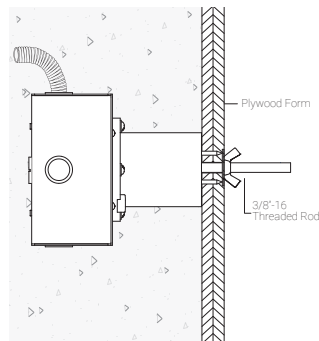
Mounting Kit

MK1: Ceiling, Wall, and Stair Riser Installation (shown with MP Lighting Back Box | Order Code: EBX-SQR1-DSBR)

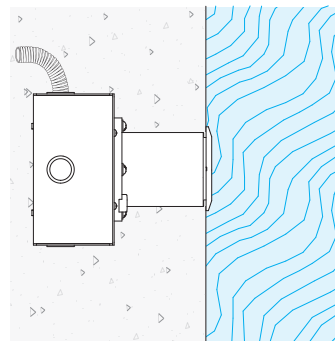
Box with Standard Flange



Box with Standard Flange & MK1:
During Installation



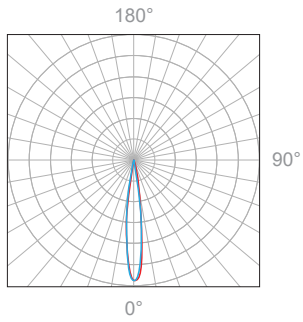
Box with Standard Flange:
Complete Installation



6" (152mm) threaded rod is supplied. Thread size: 3/8"-16

3W, 3000K, 90+ CRI

Polar Candela Distribution



Beam Width: 12°

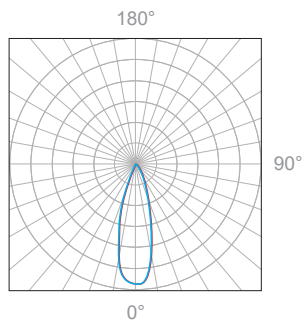


Illuminance at a Distance

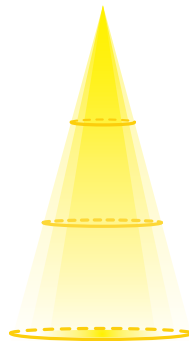
Distance		Center Beam	Beam Width			
1.5ft	0.46m	1454fc	0.5ft	0.15m	0.5ft	0.15m
3.0ft	0.91m	347fc	1.0ft	0.30m	1.0ft	0.30m
4.5ft	1.37m	160fc	1.5ft	0.46m	1.5ft	0.46m
6.0ft	1.83m	94fc	2.0ft	0.61m	2.0ft	0.61m
7.5ft	2.29m	59fc	2.5ft	0.76m	2.5ft	0.76m
9.0ft	2.74m	41fc	3.1ft	0.94m	3.1ft	0.94m
12ft	3.66m	18fc	4.1ft	1.25m	4.1ft	1.25m
15ft	4.57m	11fc	5.1ft	1.55m	5.1ft	1.55m
18ft	5.49m	8.5fc	6.1ft	1.86m	6.1ft	1.86m

Delivered Lumen: 154.8lm
 ■ Vertical Beam Spread: 19.2°
 ■ Horizontal Beam Spread: 19.2°

Polar Candela Distribution



Beam Width: 30°

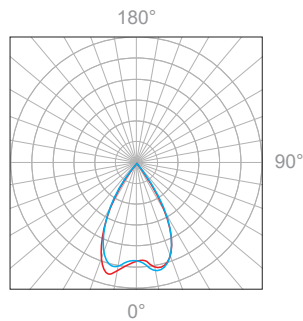


Illuminance at a Distance

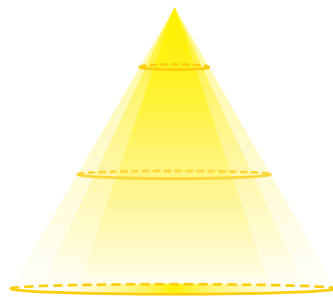
Distance		Center Beam	Beam Width			
1.5ft	0.46m	851fc	0.8ft	0.24m	0.8ft	0.24m
3.0ft	0.91m	210fc	1.6ft	0.49m	1.6ft	0.49m
4.5ft	1.37m	93fc	2.4ft	0.73m	2.4ft	0.73m
6.0ft	1.83m	53fc	3.2ft	0.98m	3.2ft	0.98m
7.5ft	2.29m	34fc	3.9ft	1.19m	3.9ft	1.19m
9.0ft	2.74m	24fc	4.7ft	1.43m	4.7ft	1.43m
12ft	3.66m	12fc	6.3ft	1.92m	6.3ft	1.92m
15ft	4.57m	8.3fc	7.9ft	2.41m	7.9ft	2.41m
18ft	5.49m	5.8fc	9.5ft	2.90m	9.5ft	2.90m

Delivered Lumen: 172.7lm
 ■ Vertical Beam Spread: 29.5°
 ■ Horizontal Beam Spread: 29.5°

Polar Candela Distribution



Beam Width: 60°

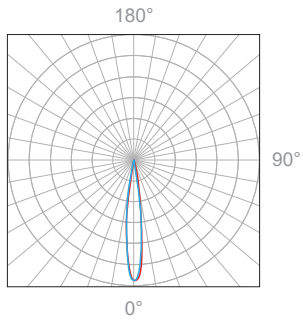


Illuminance at a Distance

Distance		Center Beam	Beam Width			
1.5ft	0.46m	230fc	1.7ft	0.52m	1.7ft	0.52m
3.0ft	0.91m	54fc	3.5ft	1.07m	3.5ft	1.07m
4.5ft	1.37m	22fc	5.2ft	1.58m	5.2ft	1.58m
6.0ft	1.83m	12fc	7.0ft	2.13m	7.0ft	2.13m
7.5ft	2.29m	7.8fc	8.7ft	2.65m	8.7ft	2.65m
9.0ft	2.74m	5.7fc	10.5ft	3.20m	10.5ft	3.20m
12ft	3.66m	3fc	14.0ft	4.27m	14.0ft	4.27m
15ft	4.57m	2fc	17.4ft	5.30m	17.4ft	5.30m
18ft	5.49m	1.5fc	20.9ft	6.37m	20.9ft	6.37m

Delivered Lumen: 117.5lm
 ■ Vertical Beam Spread : 60.4°
 ■ Horizontal Beam Spread : 60.4°

Polar Candela Distribution



Beam Width: 12°

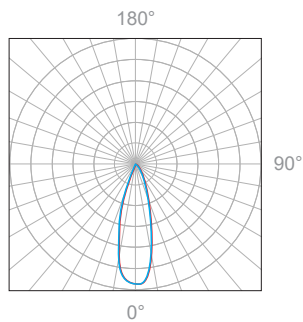


Illuminance at a Distance

Distance		Center Beam	Beam Width			
1.5ft	0.46m	2610fc	0.5ft	0.15m	0.5ft	0.15m
3.0ft	0.91m	640fc	1.0ft	0.30m	1.0ft	0.30m
4.5ft	1.37m	293fc	1.5ft	0.46m	1.5ft	0.46m
6.0ft	1.83m	169fc	2.0ft	0.61m	2.0ft	0.61m
7.5ft	2.29m	109fc	2.5ft	0.76m	2.5ft	0.76m
9.0ft	2.74m	75fc	3.1ft	0.94m	3.1ft	0.94m
12ft	3.66m	35fc	4.1ft	1.25m	4.1ft	1.25m
15ft	4.57m	21fc	5.1ft	1.55m	5.1ft	1.55m
18ft	5.49m	15fc	6.1ft	1.86m	6.1ft	1.86m

Delivered Lumen: 247.1lm
 ■ Vertical Beam Spread: 19.2°
 ■ Horizontal Beam Spread: 19.2°

Polar Candela Distribution



Beam Width: 30°

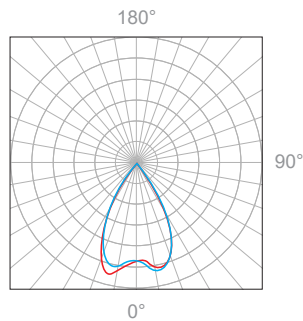


Illuminance at a Distance

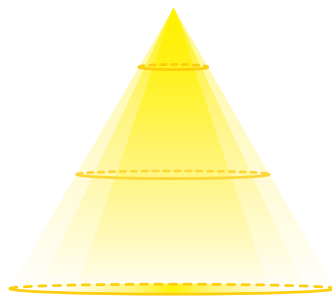
Distance		Center Beam	Beam Width			
1.5ft	0.46m	1520fc	0.8ft	0.24m	0.8ft	0.24m
3.0ft	0.91m	379fc	1.6ft	0.49m	1.6ft	0.49m
4.5ft	1.37m	168fc	2.4ft	0.73m	2.4ft	0.73m
6.0ft	1.83m	94fc	3.2ft	0.98m	3.2ft	0.98m
7.5ft	2.29m	60fc	3.9ft	1.19m	3.9ft	1.19m
9.0ft	2.74m	42fc	4.7ft	1.43m	4.7ft	1.43m
12ft	3.66m	23fc	6.3ft	1.92m	6.3ft	1.92m
15ft	4.57m	15fc	7.9ft	2.41m	7.9ft	2.41m
18ft	5.49m	10fc	9.5ft	2.90m	9.5ft	2.90m

Delivered Lumen: 275.5lm
 ■ Vertical Beam Spread: 29.5°
 ■ Horizontal Beam Spread: 29.5°

Polar Candela Distribution



Beam Width: 60°

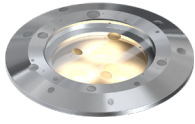


Illuminance at a Distance

Distance		Center Beam	Beam Width			
1.5ft	0.46m	403fc	1.7ft	0.52m	1.7ft	0.52m
3.0ft	0.91m	95fc	3.5ft	1.07m	3.5ft	1.07m
4.5ft	1.37m	39fc	5.2ft	1.58m	5.2ft	1.58m
6.0ft	1.83m	22fc	7.0ft	2.13m	7.0ft	2.13m
7.5ft	2.29m	14fc	8.7ft	2.65m	8.7ft	2.65m
9.0ft	2.74m	10fc	10.5ft	3.20m	10.5ft	3.20m
12ft	3.66m	5.7fc	14.0ft	4.27m	14.0ft	4.27m
15ft	4.57m	3fc	17.4ft	5.30m	17.4ft	5.30m
18ft	5.49m	2fc	20.9ft	6.37m	20.9ft	6.37m

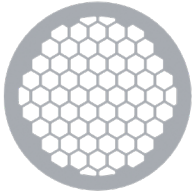
Delivered Lumen: 189.4lm
 ■ Vertical Beam Spread : 60.4°
 ■ Horizontal Beam Spread : 60.4°

Appendix

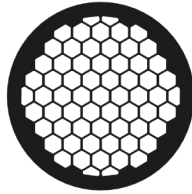


S6 stainless steel 316

Accessories



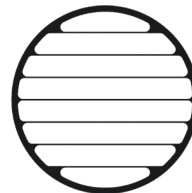
HM2 hex louver, matte clear anodized



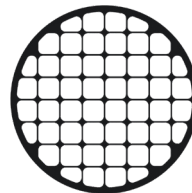
HB2 hex louver, black anodized



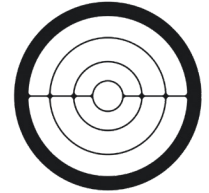
AB2 angled louver, black anodized



SB2 straight louver, black anodized



QB2 square louver, black anodized



RB2 ring louver, black anodized



NB2 narrow beam louver, black