

LWL10W30HSMR16V2

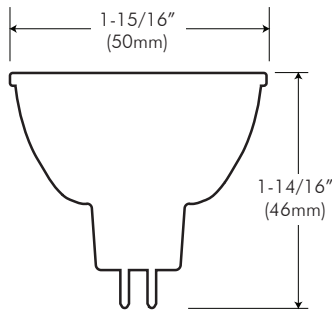
LWL10W30HNMR16V2



10W LED MR16

Features

- Winner of the 2013 red dot design award.
- Only LED MR16 lamp with Full Visible Spectrum light and 95CRI/95R9.
- Suitable for applications requiring high output from a small lamp source.
- Organized around a single LED light source combined with a single optic and heat sink.
- Compatible with a wide range of fixtures, transformers, and dimmers.
- UL listed for Class 2 (transformers 60W or less) and Non-Class 2 systems (transformers greater than 60W).



Lamp Type	LED
Bulb	MR16
Wattage	10W
Voltage	120V
Base	GU 5.3
Rated Life	35,000 hrs
Beam Angle	10°, 36°
Light Output	400~410lm
Correlated Color Temp. (CCT)	3000K
Unit Package	1 lamp/pkg



Type:

Project:

Modified:

Quantity:

Notes:

CODE	WATTAGE	COLOR	BEAM	LAMP	TYPE
LWL	10	W30H		MR16	V2
	10 = 10W	W30H = 3000K high CRI	S = spot (10°) N = narrow flood (36°)		V2 = vivid 2