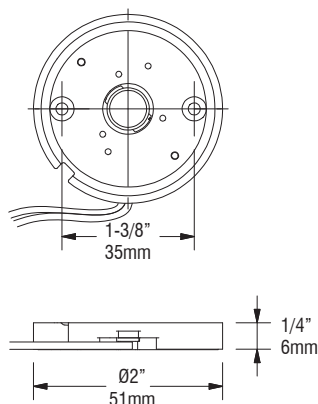
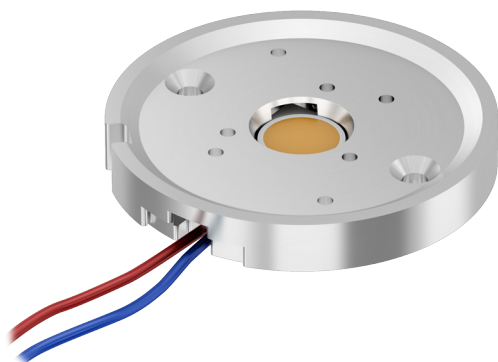


ZA26

26W Zhaga Module



Zhaga module comes with 1ft (305mm) wire lead.

Feature: Module can be changed without replacing entire luminaire
 Compliant to Zhaga Interface Specification - Book 3
 Aluminum housing for a long product life
 Additional modules will be added to the product line

Wattage: 26W

Voltage: 36V DC

Current: 700mA

CRI: 80+ and 90+

Light Output: * Tested at operating temperature 85°C
 (tested at operating temperature, 85°C)

| | | |
|--------------|--------|----------------|
| 2000K | 704lm | (94+ CRI) |
| 2700K | 1654lm | (80+ CRI) |
| | 1267lm | (90+ CRI) |
| | 1038lm | (97CRI, R9=97) |
| 3000K | 1742lm | (80+ CRI) |
| | 1338lm | (90+ CRI) |
| | 1108lm | (97CRI, R9=97) |
| 3500K | 1813lm | (80+ CRI) |
| | 1408lm | (90+ CRI) |

Type:

Project:

Modified:

Quantity:

Notes:

| CODE | WATTAGE | COLOR | CRI |
|--------------------------|-----------------|--|---|
| ZA | 26 | - | |
| ZA = Zhaga module | 26 = 26W | W20 = 2000K W27 = 2700K W30 = 3000K W35 = 3500K | S = 80+ CRI H = 90+ CRI (when 2000K, 94+ CRI) V = 97 CRI (only available in 2700K and 3000K) |