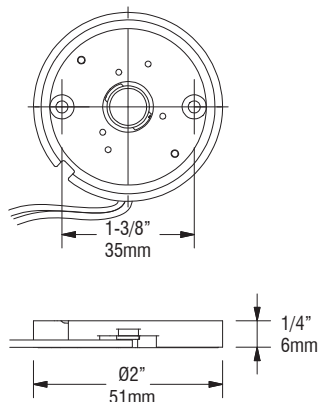
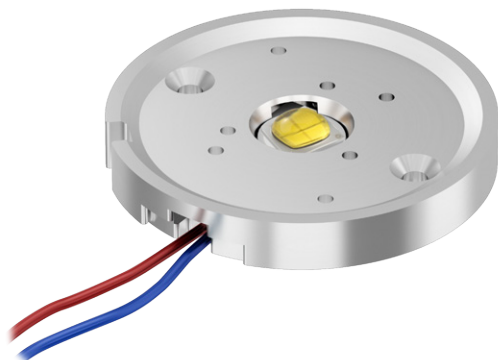


ZA8

8W Zhaga Module



Zhaga module comes with 1ft (305mm) wire lead.

Feature: Module can be changed without replacing entire luminaire
 Compliant to Zhaga Interface Specification - Book 3
 Aluminum housing for a long product life
 Additional modules will be added to the product line

Wattage: 8W

Voltage: 12VAC

Current: 700mA

CRI: 80+ and 90+

Light Output: * Tested at operating temperature 85°C
 (tested at operating temperature, 85°C)

2700K	730~800lm (80+ CRI)
	600~660lm (90+ CRI)
3000K	780~850lm (80+ CRI)
	640~736lm (90+ CRI)
3500K	780~870lm (80+ CRI)
4000K	840~905lm (80+ CRI)

Type:

Project:

Modified:

Quantity:

Notes:

CODE	WATTAGE	COLOR	CRI
ZA	8	-	
ZA = Zhaga module	8 = 8W	W27 = 2700K W30 = 3000K W35 = 3500K W40 = 4000K	S = 80+ CRI H = 90+ CRI (available in 2700K and 3000K only)