

L07

Installation Instructions

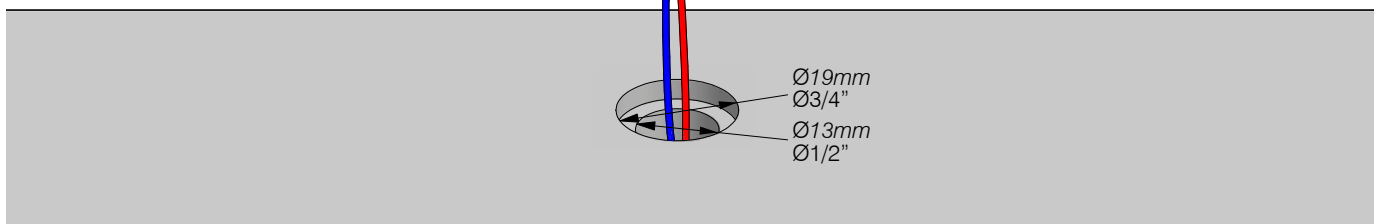
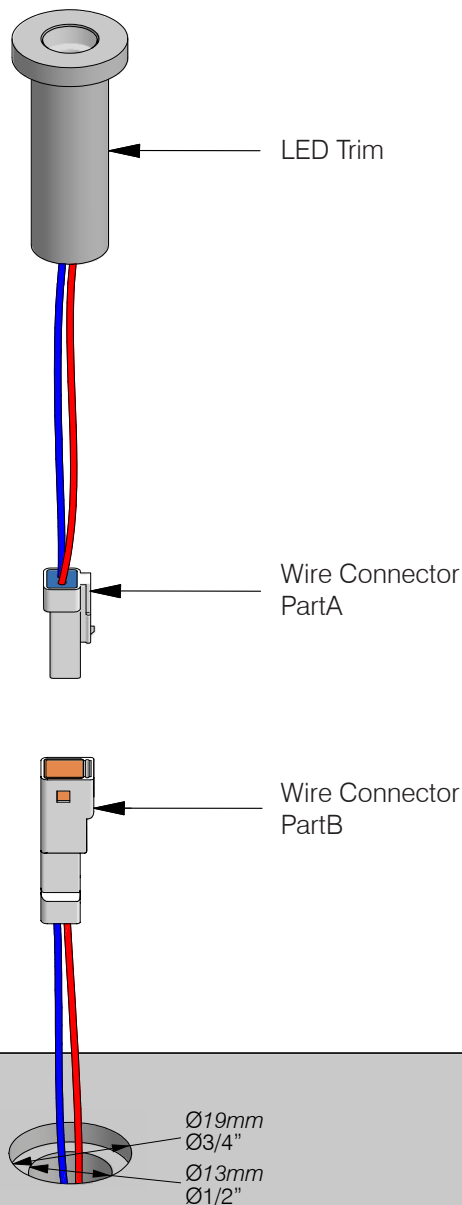
1 Cut one hole $\text{\O}1/2"$ (13mm) through tile, deck or millwork. Cut a second hole $\text{\O}3/4"$ (19mm) and 3.5 mm deep, so fixture will be flush with surface.

2 Connect fixture wires to low voltage wiring (remote LED driver 12V DC constant voltage).

3 Pull wire connector partB up through drywall.

4 Connect trim leads from wire connector partA to partB by pushing until it clicks in place. The power to the driver must be off while wiring LED fixtures to drivers.

5 Insert trim in to tile, deck or millwork.



Trim Parts

Trim Parts	Qty.
• LED trim	1
• Wire connector partA	1
• Wire connector partB	1
• Waterproof wire nuts	2

Maintenance

Clean using a soft cloth.

MP LIGHTING[®]

t1.877.708.1184 f604.708.1185 www.mplighting.com
16 West 4th Avenue, Vancouver BC V5Y 1G3, Canada



CAUTION

• Read all instructions.

- **WARNING: RISK OF FIRE OR ELECTRICAL SHOCK:** Do not make or alter any openings in the compartment of wiring or electrical components during installation. Do not alter or add ballasts, or any other electrical components.
- Installation and use of this fixture mounting assembly requires a person familiar with the construction and operation of luminaire electrical systems and the hazards involved, if not qualified, do not attempt installation.
- Turn off power before installation.
- Connect to 12VDC constant voltage LED driver only.
- Avoid using detergents with hand softeners, anti-bacterial agents, glass cleaners or acrylic cleaning products.
- **KEEP THESE INSTALLATION INSTRUCTIONS.**