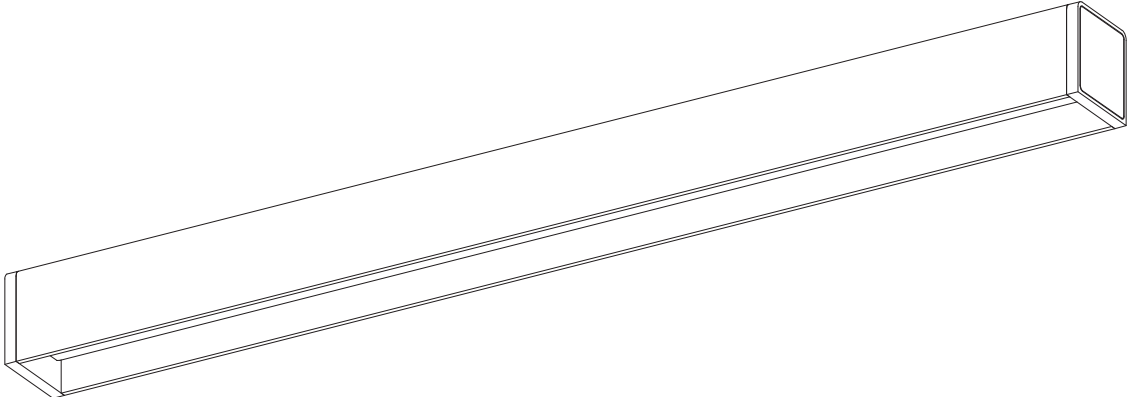


# L114

Installation Instruction



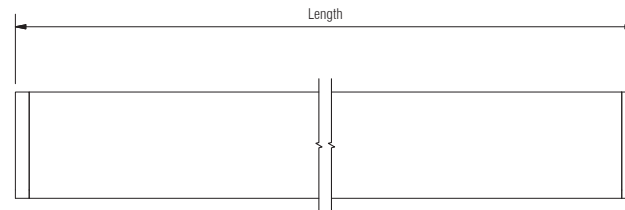
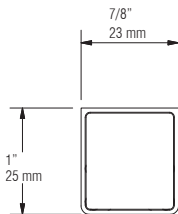
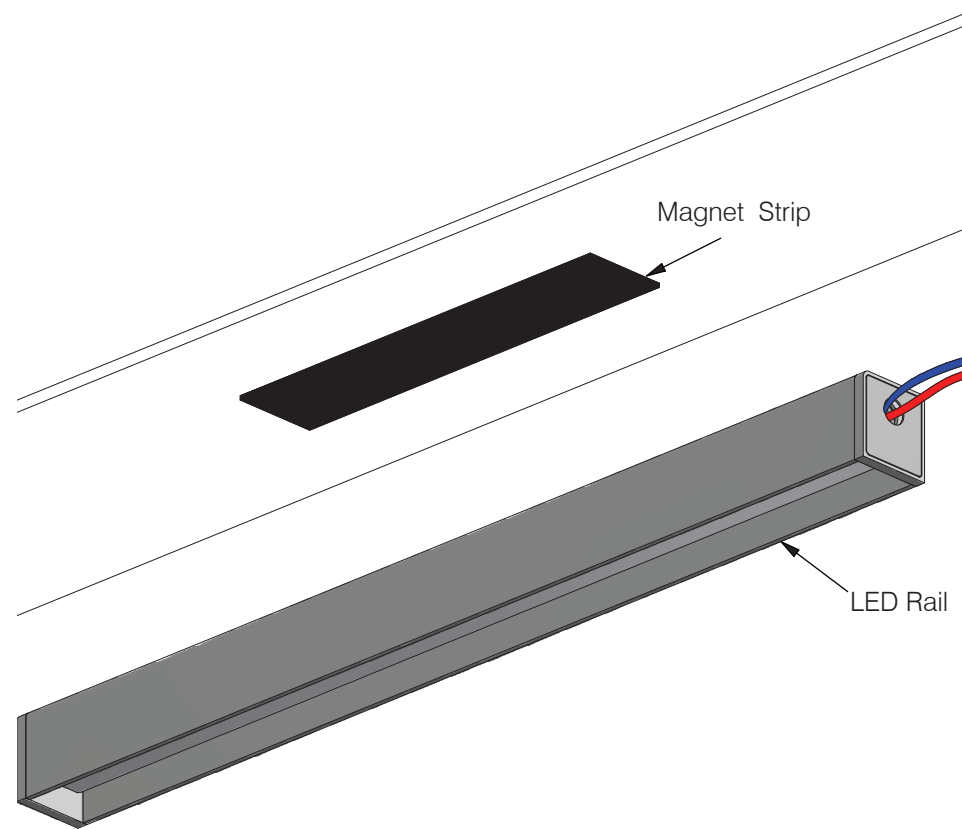
# L114

## Installation Instruction

### Parts

LED Rail  
Magnetic Strip

- 1) Attach magnetic strip to wall, shelf or cabinetry with the applied adhesive. Recommended spacing is 2' apart maximum.
- 2) Attach matching magnetic strip to the back of the LED rail.
- 3) Connect LED rail to the target surface by pushing rail into the magnetic strip until it mounts into position and held securely.
- 4) Connect fixture wires to low voltage wiring 24V DC constant voltage drivers with 100-277V input



### CAUTION • Read all instructions.

- WARNING: RISK OF FIRE OR ELECTRICAL SHOCK: Do not make or alter any openings in the compartment of wiring or electrical components during installation. Do not alter or add ballasts, or any other electrical components.
- Installation and use of this fixture mounting assembly requires a person familiar with the construction and operation of luminaire electrical systems and the hazards involved, if not qualified, do not attempt installation.
- Turn off power before installation.
- Connect to 24V DC constant voltage LED drivers only.
- Do not spray water on fixture during cleaning. Avoid using detergents with hand softeners, anti-bacterial agents, glass cleaners or acrylic cleaning products.
- KEEP THESE INSTALLATION INSTRUCTIONS.