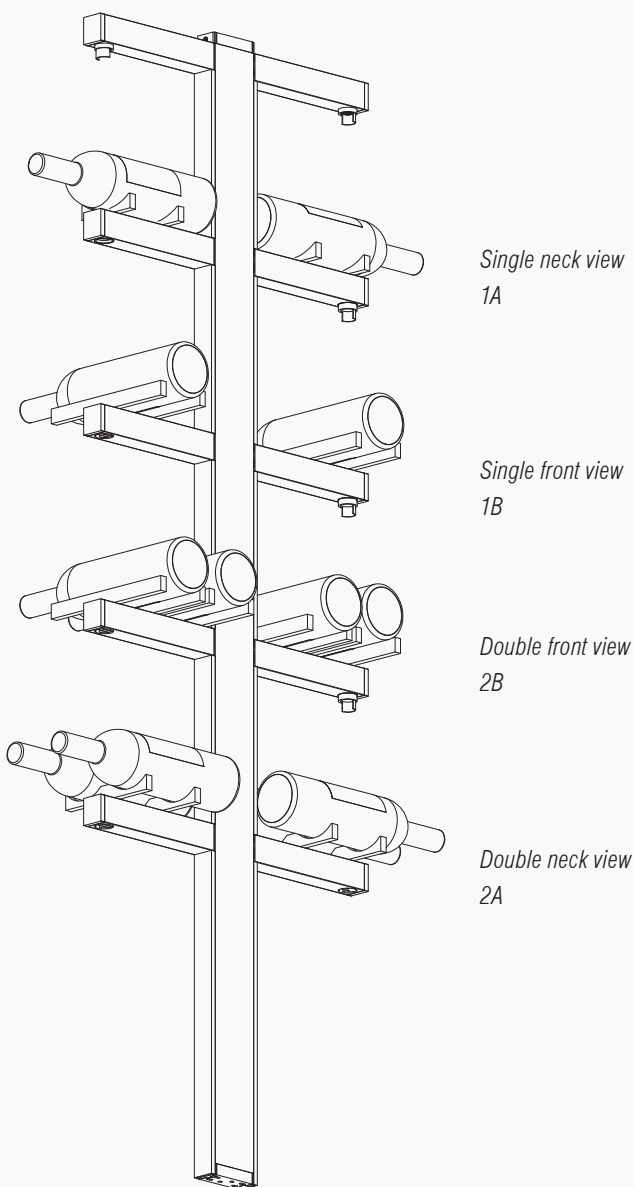
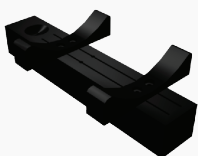


L183 - Installation Sheet

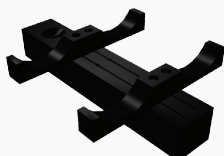
Modular Wine Rack (Wall Mount)



Cross Bar Options:



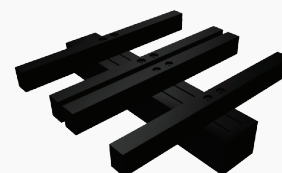
Single neck view
1A



Double neck view
2A



Single front view
1B



Double front view
2B

L183 - Installation Sheet

Modular Wine Rack (Wall Mount)

Parts

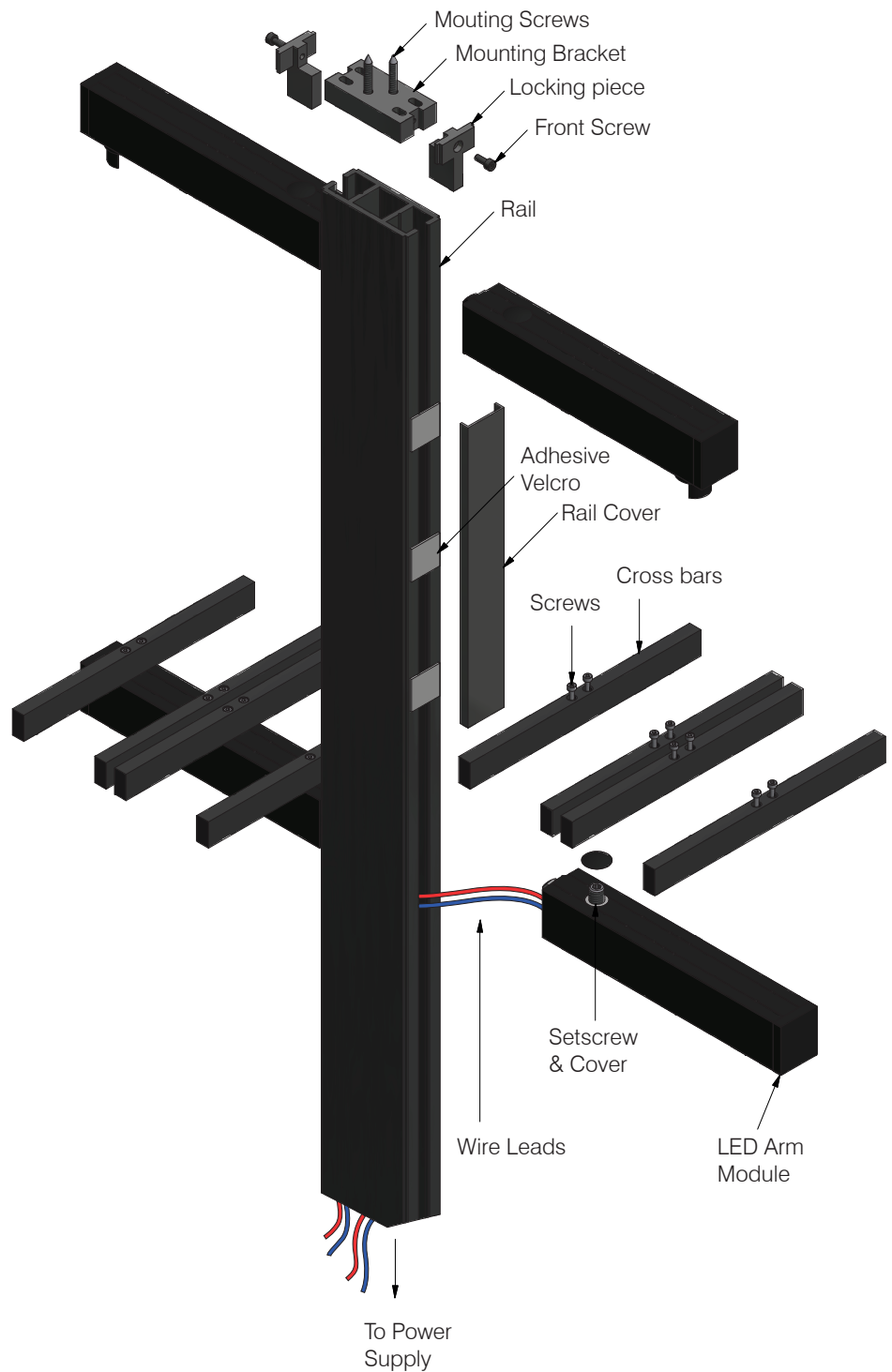
Rail
LED arm modules
Wine bottle cross bars
Rail covers
Setscrew cover
Mounting Brackets WR-MB183

- 1) Position mounting bracket B on to the ground and secure it with screws(not supplied). Repeat step for the mounting bracket on the ceiling.

Note: To ensure proper support, it is recommended to mount to a plywood wall or support structure. A plastic or lead anchor is recommended when mounting to concrete.

#8 screws are recommended on the mounting bracket. Screws will not be supplied.

- 2) Once mounting brackets (floor and ceiling) are secured, slide the rail into the mounting brackets. Insert the wire leads into the hole.
- 3) Insert it into the locking piece into the slot of the rail.
- 4) Insert wire leads.
- 5) Mount arm modules to rail by loosening hex head screw on arm without unscrewing all the way. Once loosened, the anchor head will move outward. Insert arm into slot in the rail and turn arm module 90°.
- 4) Cut rail cover to appropriate size and fit into place. Use 3 velcro pieces to secure it onto the rail.
- 5) Install cross bars for holding wine bottle.
- 6) Connect fixture wires to low voltage wiring (remote LED driver).



IMPORTANT SAFETY INSTRUCTIONS

KEEP THESE INSTALLATION INSTRUCTIONS

(Including General and Additional Markings for Fixtures)

(FOR MP LIGHTING LED LUMINAIRES, CLASS 3402-xx)

General and additional markings

1. For Use Only with Certified/NRTL Driver, Model _____
2. DRY LOCATIONS ONLY

Installation instructions

1. The grounding installation shall be done in accordance with CEC-Part 1.
2. WARNING: RISK OF FIRE OR ELECTRIC SHOCK: DO NOT MAKE OR ALTER ANY OPENINGS IN THE COMPARTMENT OF WIRING OR ELECTRICAL COMPONENTS DURING INSTALLATION. DO NOT ALTER OR ADD BALLASTS, OR ANY OTHER ELECTRICAL COMPONENTS.
3. INSTALLATION AND USE OF THIS FIXTURE MOUNTING ASSEMBLY REQUIRES A PERSON FAMILIAR WITH THE CONSTRUCTION AND OPERATION OF LUMINAIRE ELECTRICAL SYSTEMS AND THE HAZARD INVOLVED, IF NOT QUALIFIED, DO NOT ATTEMPT INSTALLATION. CONTACT A QUALIFIED ELECTRICIAN.
4. TURN OFF POWER BEFORE INSTALLATION.
5. KEEP THESE INSTALLATION INSTRUCTIONS.

CONSIGNES DE SÉCURITÉ IMPORTANTES

CONSERVER CES INSTRUCTIONS D'INSTALLATION

(Dont le général et marques supplémentaires pour les appareils)

(Pour les luminaires LED MP D'ÉCLAIRAGE , CLASS 3402 -xx)

Général et marquages supplémentaires

1. A utiliser uniquement avec Certified / NRTL pilote, modèle _____
2. POUR EMPLACEMENTS SECS SEULEMENT

Les instructions d'installation

1. L'installation de mise à la terre doit être fait en conformité avec CEC Partie 1.
2. AVERTISSEMENT : RISQUE D'INCENDIE OU D'ÉLECTROCUTION : NE PAS FAIRE OU MODIFIER DES OUVERTURES DANS LE COMPARTIMENT DE CÂBLAGE OU DE COMPOSANTS ÉLECTRIQUES LORS DE L'INSTALLATION. NE PAS MODIFIER OU AJOUTER DES BALLASTS, OU AUTRES COMPOSANTS ÉLECTRIQUES
3. CE PRODUIT DOIT ÊTRE INSTALLÉ SELON LE CODE D'INSTALLATION PERTINENT, PAR UNE PERSONNE QUI CONNAÎT BIEN LE PRODUIT ET SON FONCTIONNEMENT AINSI QUE LES RISQUES INHÉRENTS. CONSULTER UN ÉLECTRICIEN QUALIFIÉ.
4. COUPER LE COURANT AVANT L'INSTALLATION.
5. CONSERVEZ CES INSTRUCTIONS.