

# L72VD24

## Installation Instructions

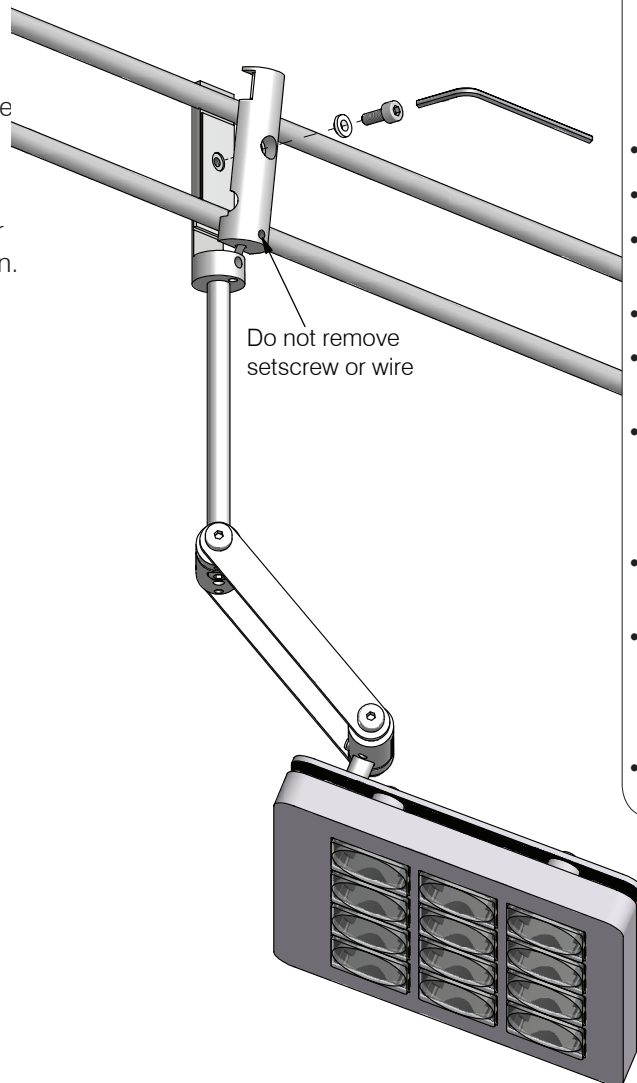
### LED72 Vertical Double Rail

**1** Unscrew top screw on connector head with Allen key. Copper wire held by setscrew brings power into fixture and prevents connector from fully separating. DO NOT UNSCREW THIS SETSCREW OR PULL WIRE OUT. If this occurs reinsert copper wire and tighten setscrew to ensure fixture functions properly.

**2** Carefully place connector on rails in desired location.

**3** Reinsert top screw and washer. Tighten until securely fastened.

*\*for details see VD system overview or VD connector instructions.*



### CAUTION

- Read all instructions.
- **WARNING: RISK OF FIRE OR ELECTRICAL SHOCK:** Do not make or alter any openings in the compartment of wiring or electrical components during installation. Do not alter or add ballasts, or any other electrical components.
- Installation and use of this fixture mounting assembly requires a person familiar with the construction and operation of luminaire electrical systems and the hazards involved, if not qualified, do not attempt installation.
- Turn off power before installation.
- Do not move fixture along rail if power is on.
- Ensure connection is tight to prevent short circuit from occurring.
- Do not over tighten screws.
- Do not remove setscrew or wire from connector
- Do not force rails into connector, this may cause plastic inserts inside connector to come apart, fixture may short if this occurs, reinsert before tightening connector.
- Fixture gets very hot. Do not cover. Keep 9" away from combustible materials.
- Do not spray water on fixture during cleaning. Avoid using detergents with hand softeners, anti-bacterial agents, glass cleaners or acrylic cleaning products.
- **KEEP THESE INSTALLATION INSTRUCTIONS.**

### Maintenance

Clean using a soft cloth.

 **MP LIGHTING**

T 604 708 1184 [mplighting.com](http://mplighting.com)

Copyright © MP Lighting All technical information in this document is subject to change.

Version 07-2009