

L76DC24

Installation Instructions

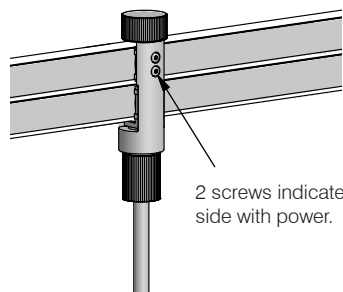
LED76 Dual Circuit

- 1** Unscrew connector cap and open connector.
- 2** Place fixture on rail in desired location.
- 3** Squeeze connector together and tighten cap.

DC Jack Connector

To remove fixture without taking DC connector off rail, unscrew fixture cap and pull out jack.

**for details see DC system overview or DC connector instructions.*



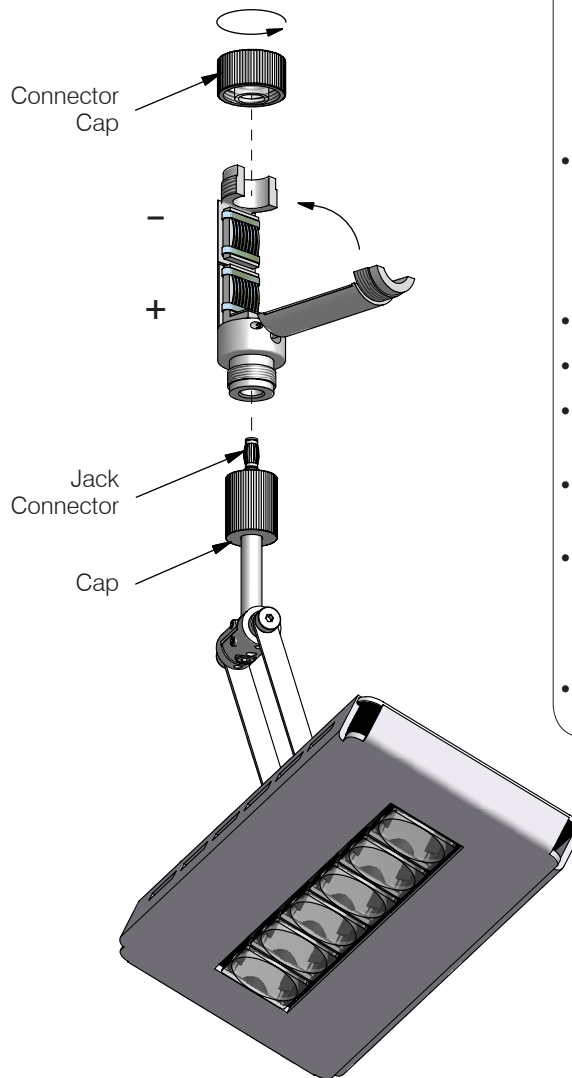
Note: DC rail has separate neutral which enables the connector to be mounted on either side of rail depending on which circuit is desired. Two screws indicate the side of the connector with power.

Maintenance

Clean using a soft cloth.

[M] MP LIGHTING

T 604 708 1184 mplighting.com



! CAUTION

- Read all instructions.
- **WARNING: RISK OF FIRE OR ELECTRICAL SHOCK:** Do not make or alter any openings in the compartment of wiring or electrical components during installation. Do not alter or add ballasts, or any other electrical components.
- Installation and use of this fixture mounting assembly requires a person familiar with the construction and operation of luminaire electrical systems and the hazards involved, if not qualified, do not attempt installation.
- Turn off power before installation.
- Do not move fixture along rail if power is on.
- Ensure cap is tight to prevent short circuit from occurring.
- Fixture gets very hot. Do not cover. Keep 9" away from combustible materials.
- Do not spray water on fixture during cleaning. Avoid using detergents with hand softeners, anti-bacterial agents, glass cleaners or acrylic cleaning products.
- **KEEP THESE INSTALLATION INSTRUCTIONS.**